

3/32" SHEET Balsa L.E.
(SEE FRONT VIEW)

1/20" SQ.
Balsa

1/20" SHEET
Balsa

1/20" SQ.
Balsa

SUB-FIN
LOCATION

RED BAR

1/20" SHEET
Balsa

W2

1/16" X 1/8"
Balsa T.E.

3/32" X 1/20"
Balsa

.025 DIA.
WIRE

1/20" Balsa
FILL-IN

3/32"

SCALE PROP -
USE 4" DIA. NORTH
PACIFIC SKEETER
PROP FOR FLYING

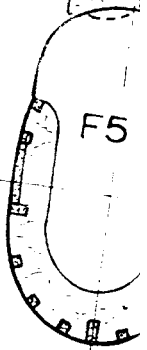
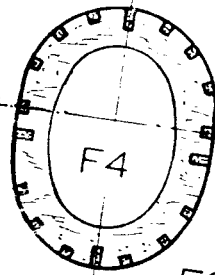
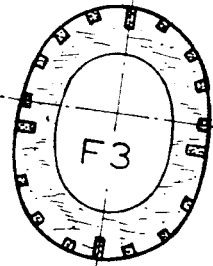
SCALE SOURCE

AERO MODELLER - JAN. 1977

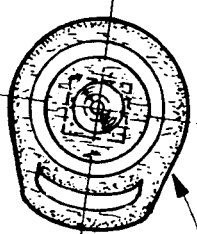
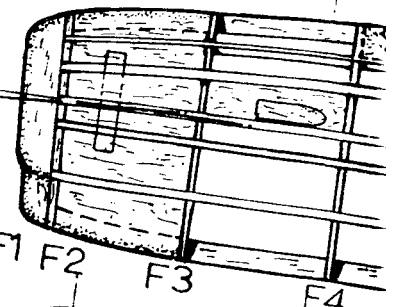
COLOR SCHEME

GLOSSY SEA BLUE
ALL LETTERING - WHITE

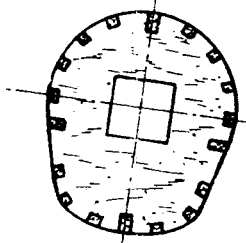
SUB-FIN-1/32" Balsa
2 REQ'D.



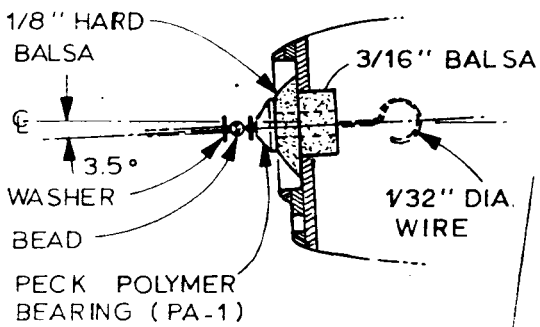
FORMERS & KEELS
F2 THRU F12- 1/20"
SHEET Balsa



F1
3 LAMS. 1/16"
Balsa - CROSS
GRAIN



F2

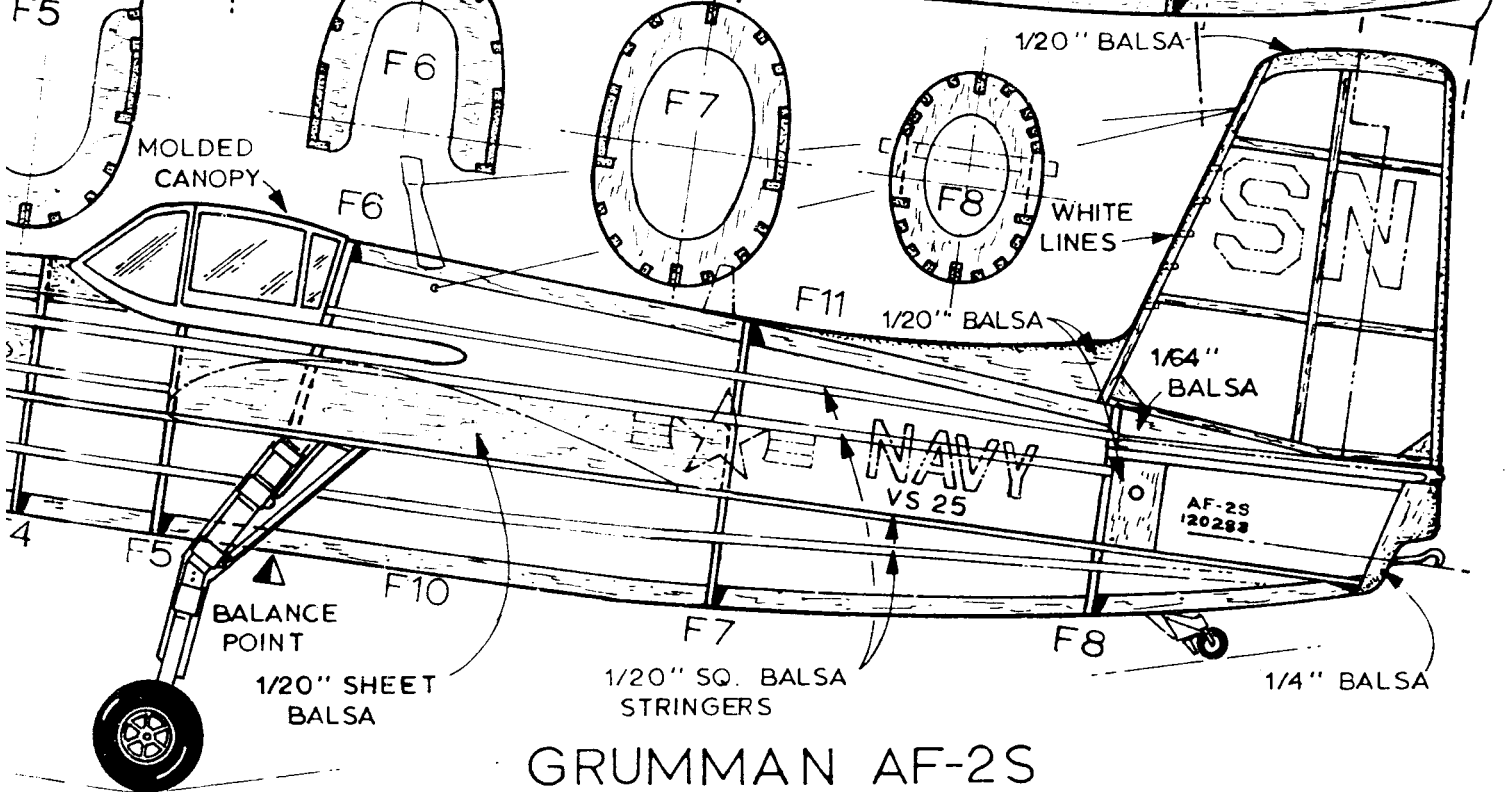
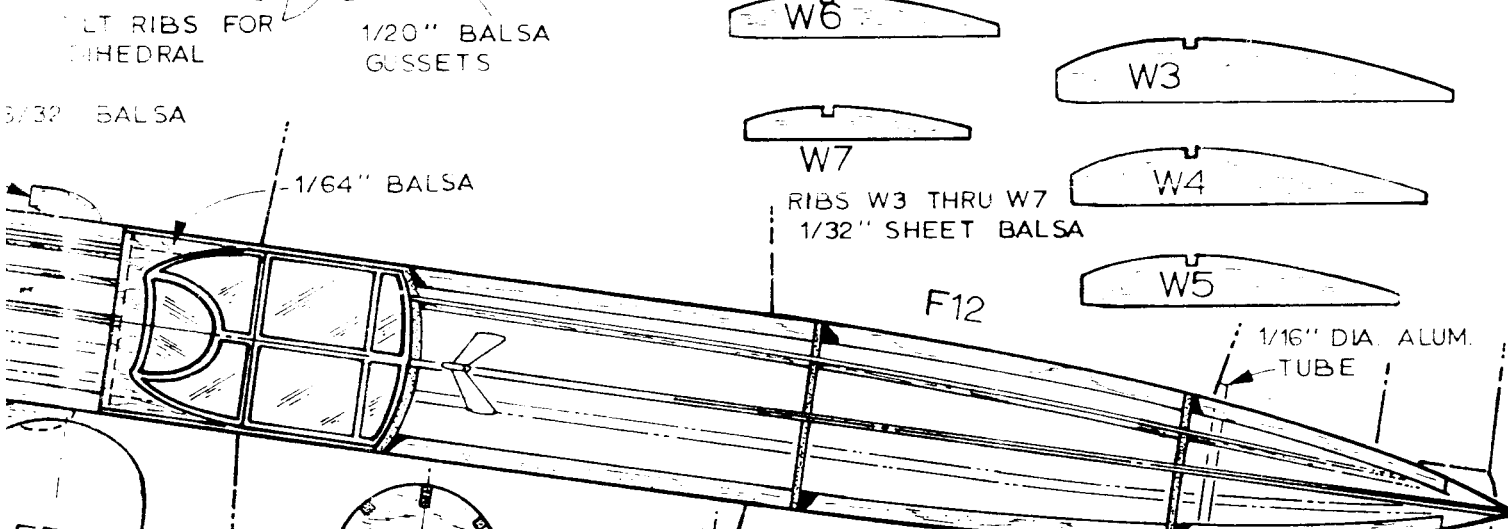
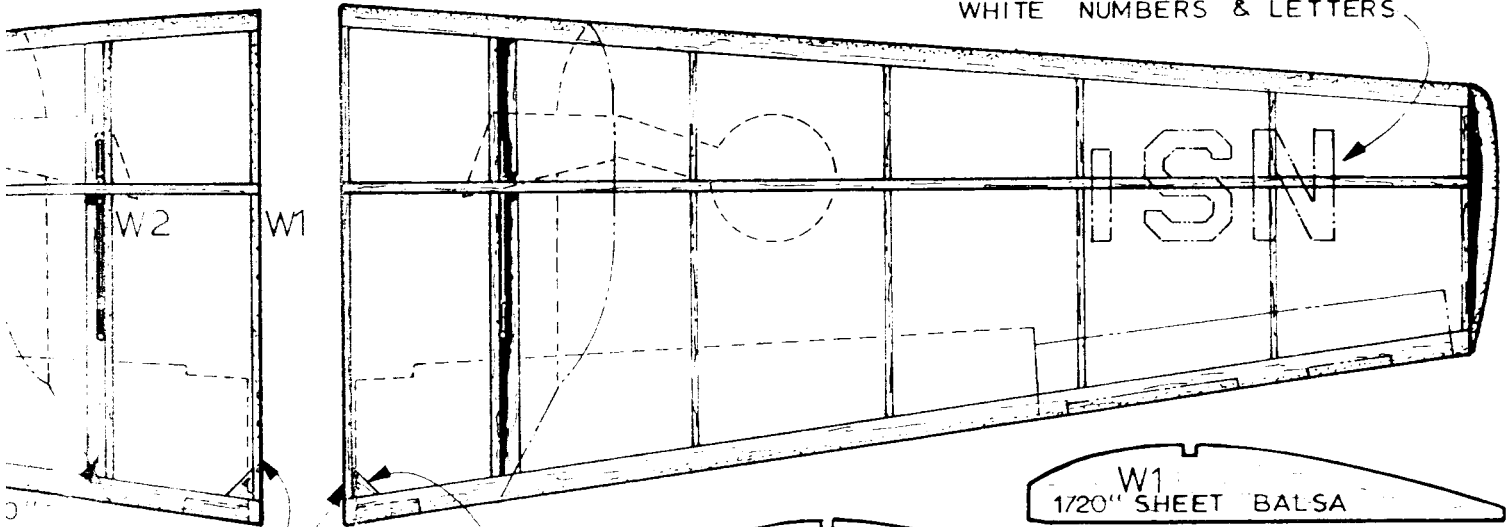


NOSE BLOCK DETAIL

13/16"

PEANUT

WHITE NUMBERS & LETTERS



GRUMMAN AF-2S

"GUARDIAN" BY ROBERT C. SWEITZER

1/4" SCALE