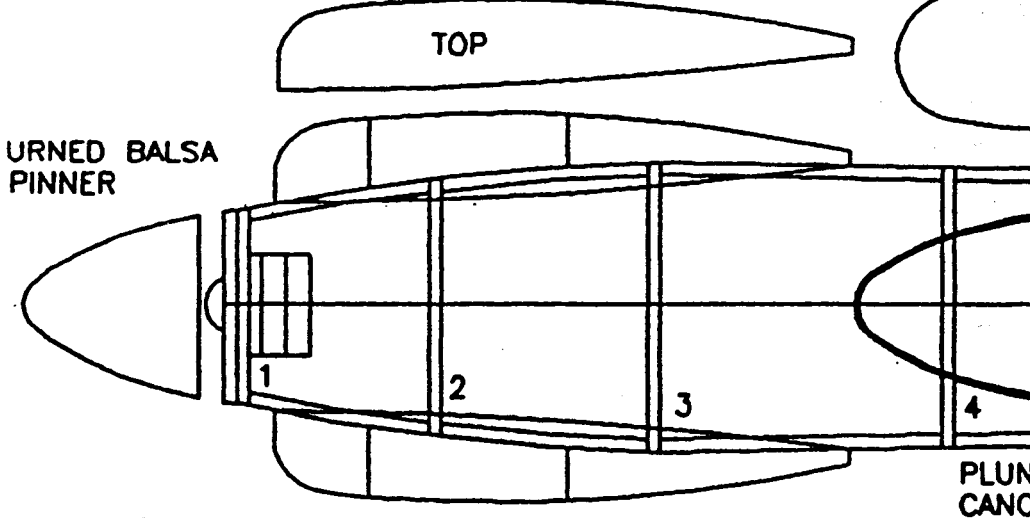
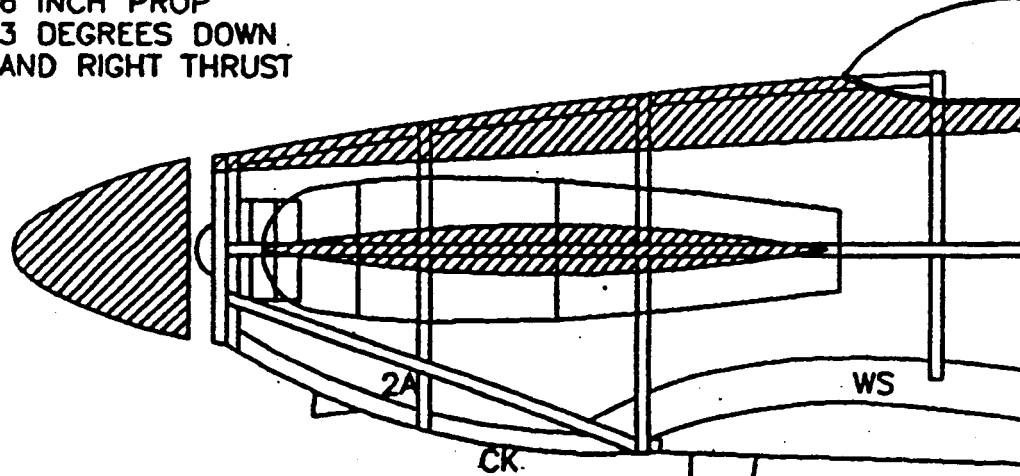


DIHEDRAL 5/8" UNDER EACH TIP

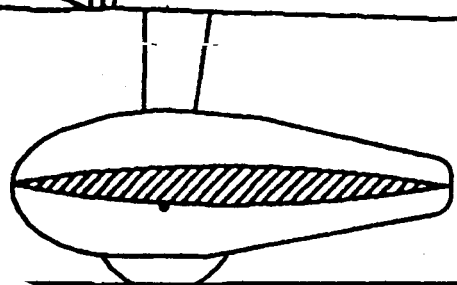
COWL CHEEKS ARE CARVED FROM HI-DENSITY FOAM

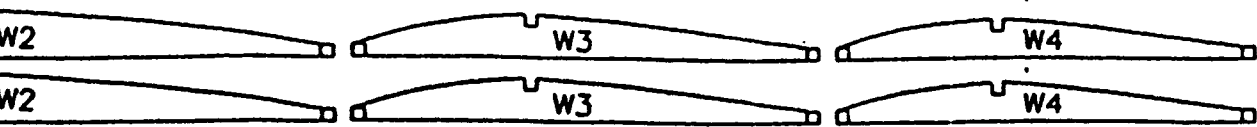


6 INCH PROP
3 DEGREES DOWN
AND RIGHT THRUST

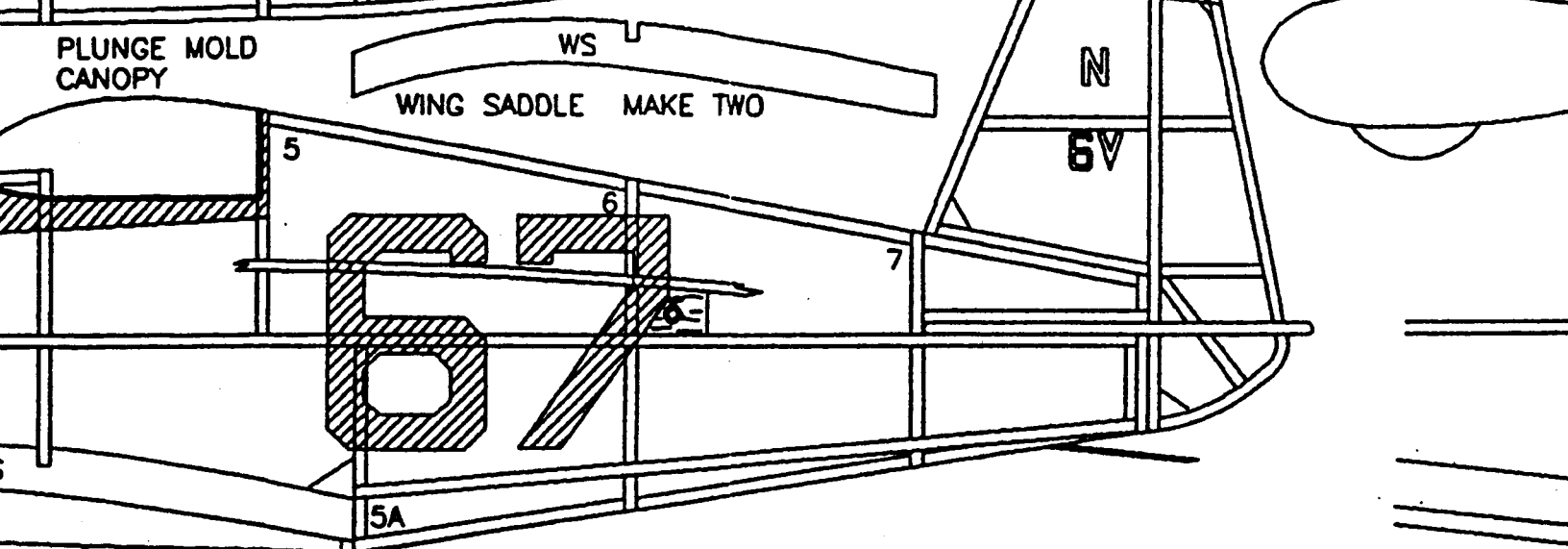
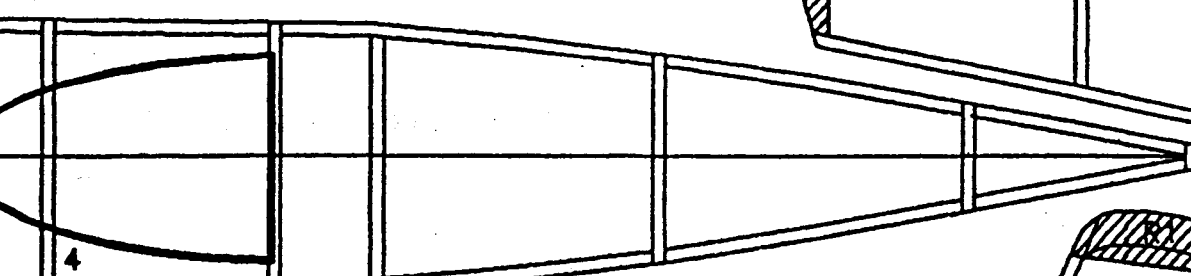
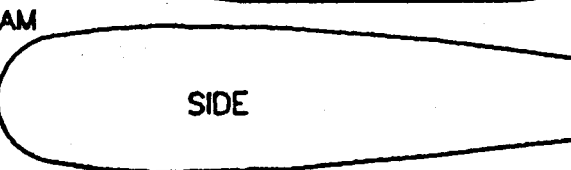
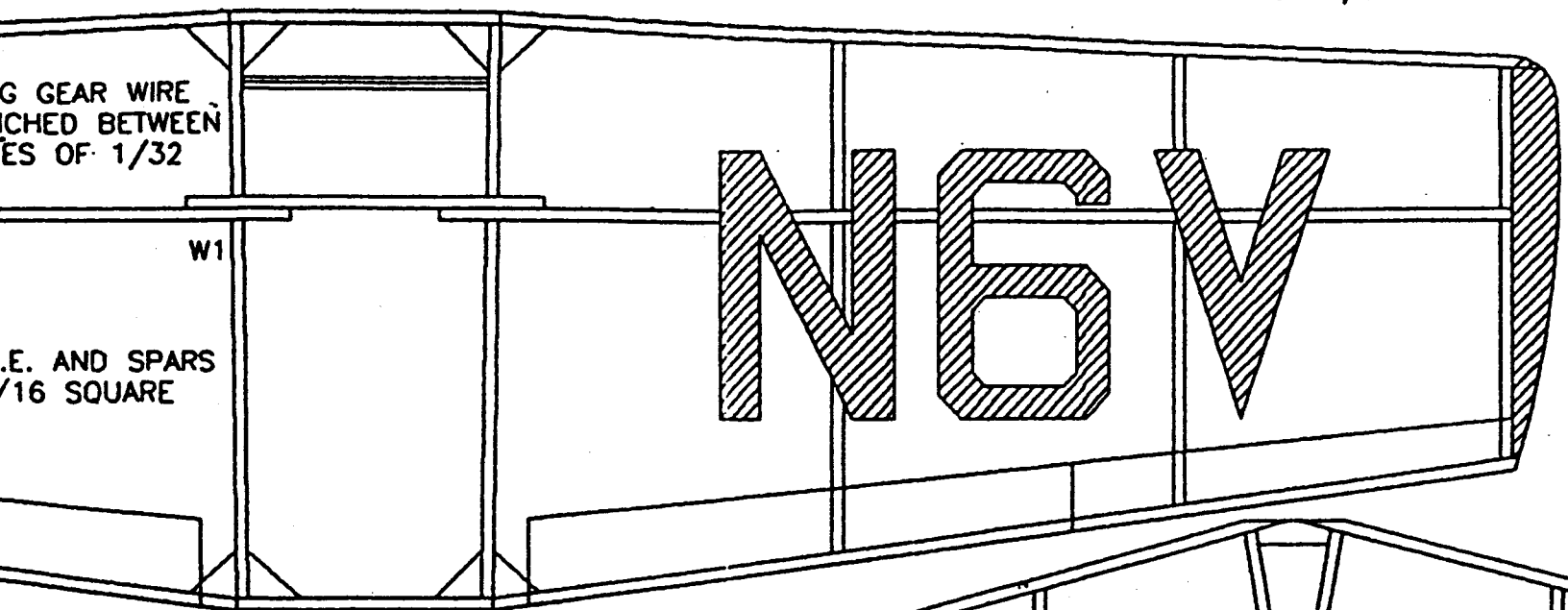


tailorin July-Aug. '98
LONG LA-1
MIDGET MUSTANG
 - GOODYEAR RACED

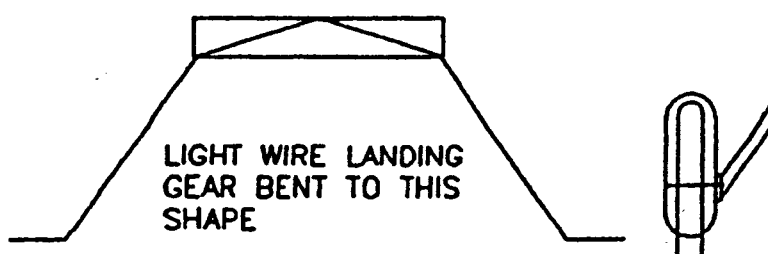




WING RIBS, FUSELAGE FORMERS, ETC. ARE 1/16 WITH THE USE OF 1/20 OPTIONAL

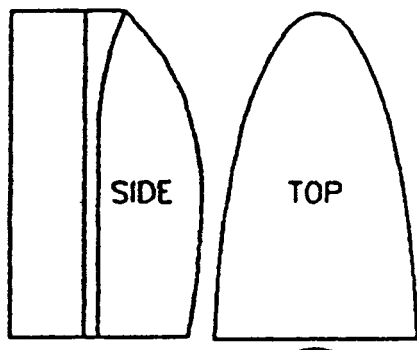
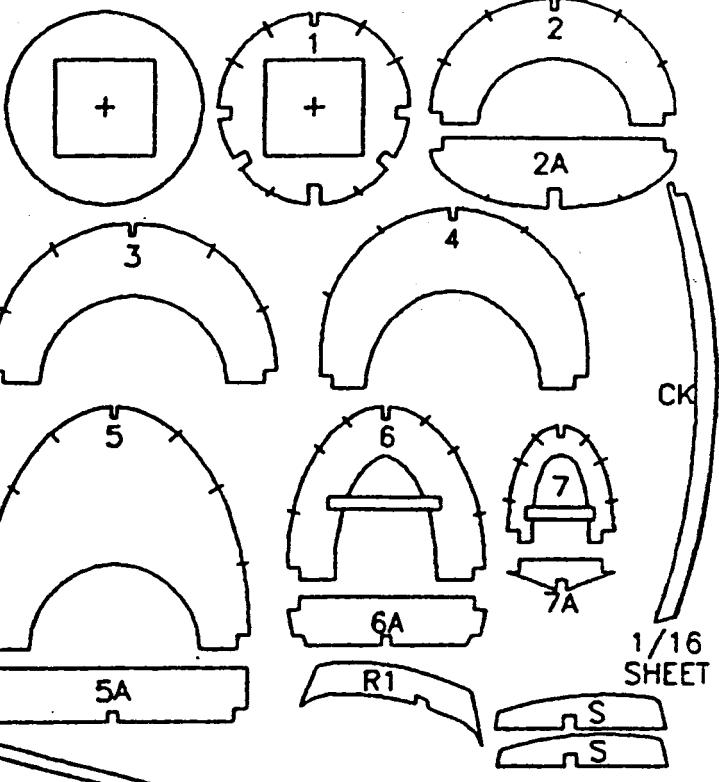
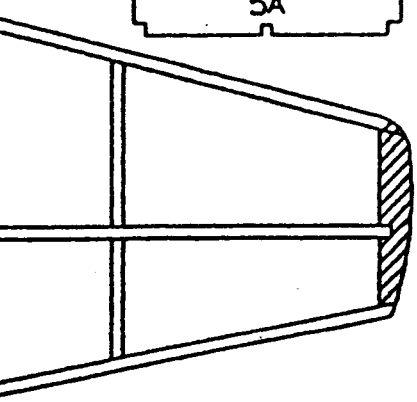
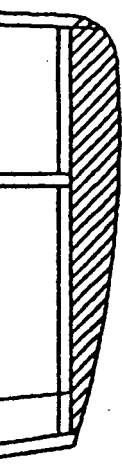


COLOR SCHEME: ALUMINUM OVERALL, BLACK TRIM
 REFERENCE: MENDENHALL NATIONAL AIR RACERS IN THREE VIEW



LIGHT WIRE LANDING GEAR BENT TO THIS SHAPE

FUSELAGE
ETC. ARE
THE USE
OPTIONAL



CANOPY FORM

