

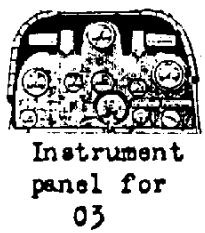
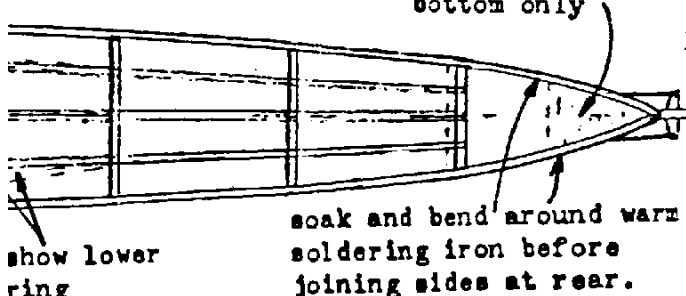
All rigging is silk thread. Use fine silk needle to thread rigging thru struts etc.

1 1/2" Peanut
Designed an
Steve Grieb
much scale
by Russ Bro

Covering is Earlybird tissue. All undersides are natural. Upper surfaces are olive; struts are brown/tan; wheel discs are brown/tan.

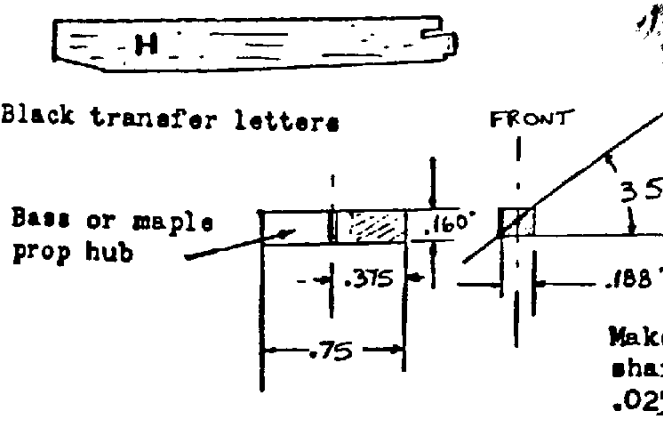
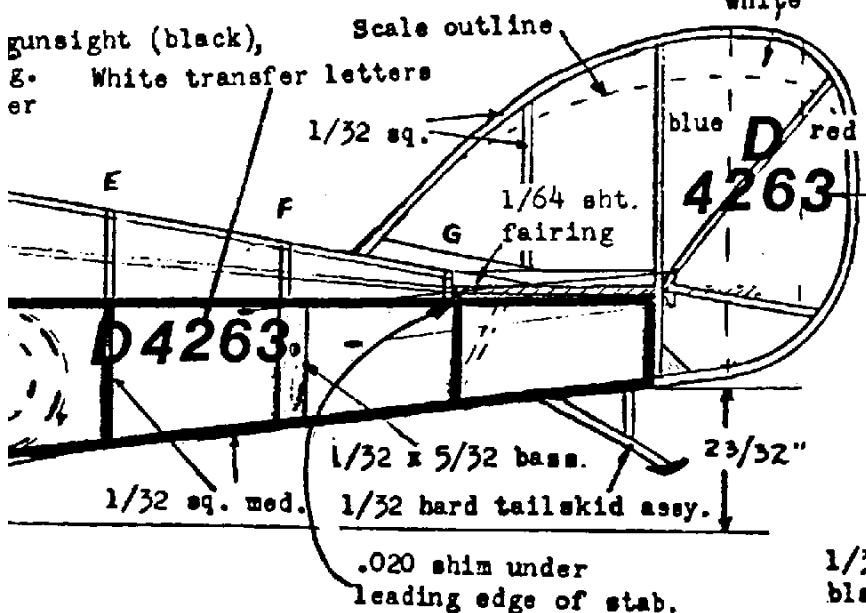
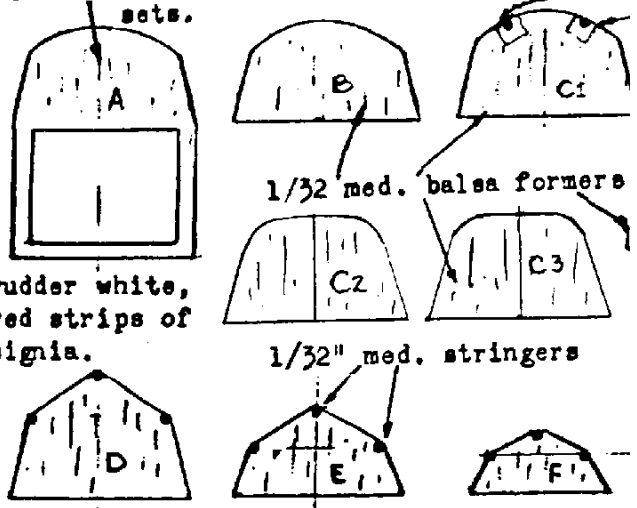
Attach lower wings to fuselage by attaching landing gear. Prop rear fuselage 23/32" above building board while bottom of fuselage and lower wings are flat on board. Prop up tips .32" for dihedral while glue sets.

.015 wire axle
.35 x 1/32 spreader



Soft 1/32" sht. bottom only

Leave entire rudder white, add blue and red strips of tissue for insignia.

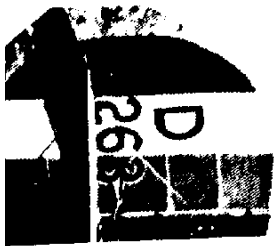


1/32" bass prop. blades, 2 req'd.

NOTE: Two Vickers machine guns were totally on red b d engine under decking.

Use 1/4" thick hard balsa key behind nose block to fit snugly in "A".

Martinsyde F.4 Buzzard



nut Span Model
 id and Drawn by
 kriebling with
 sale verification
 Brown CFFS, 1995.

ge before
 rear of,
 board

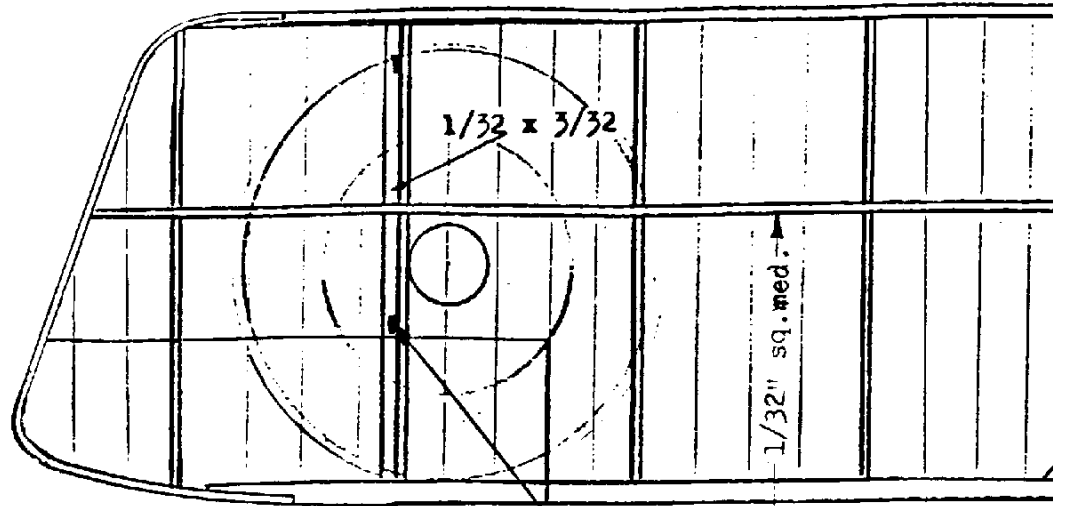
lower Gun troughs:
 P up Insert 1/8" sq.
 glue "stringers"
 between formers
 C1 & C2. Sand.
 After planking,
 cut grooves
 into these
 "stringers".
 See plan view.



mere



s

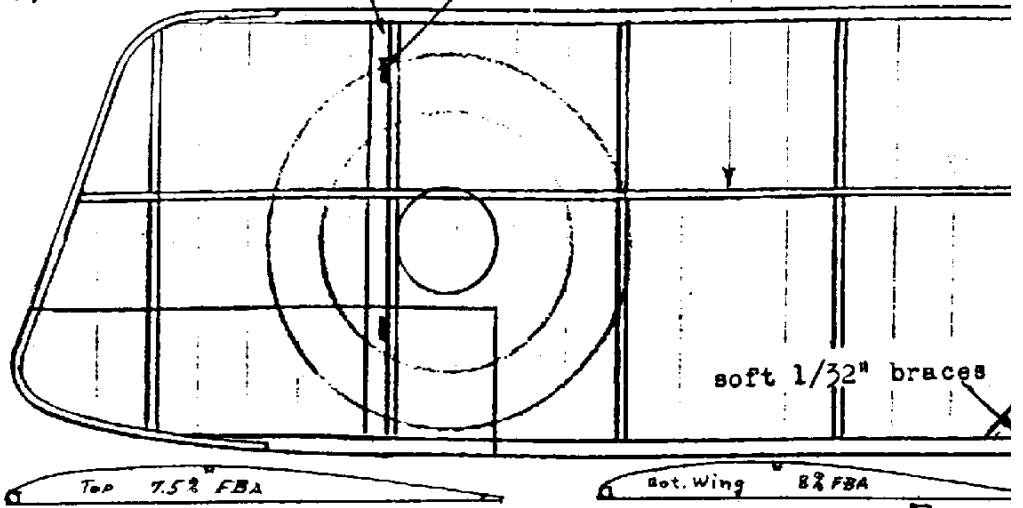


Cero #116

Sept. 1987 soft 3/32 sheet
 P9 86

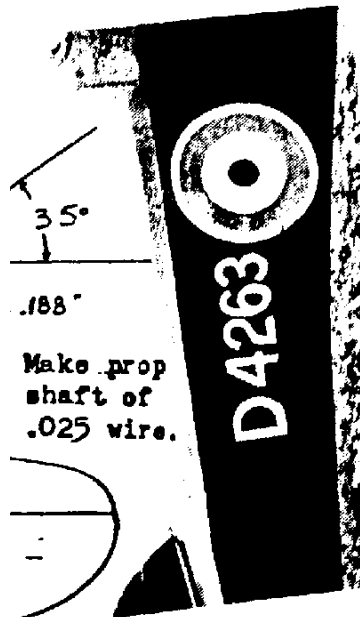
strut sockets

1/64 sht. t



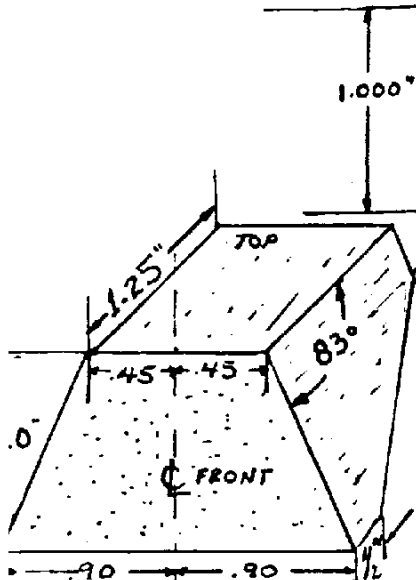
top

top

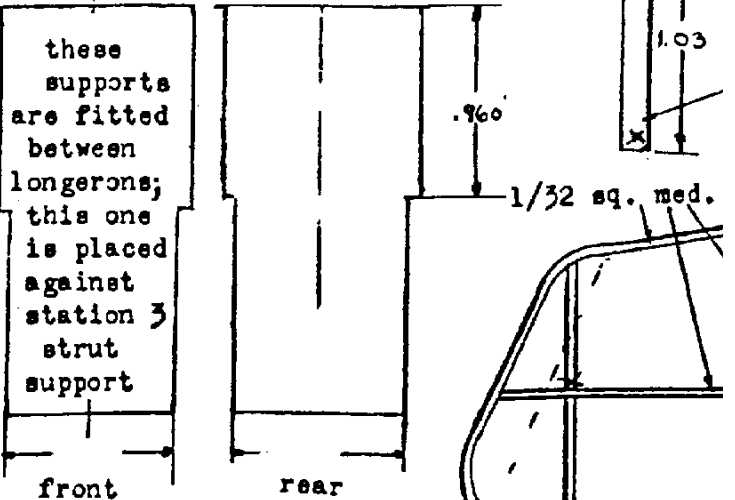


Make prop
 shaft of
 .025 wire.

D4263

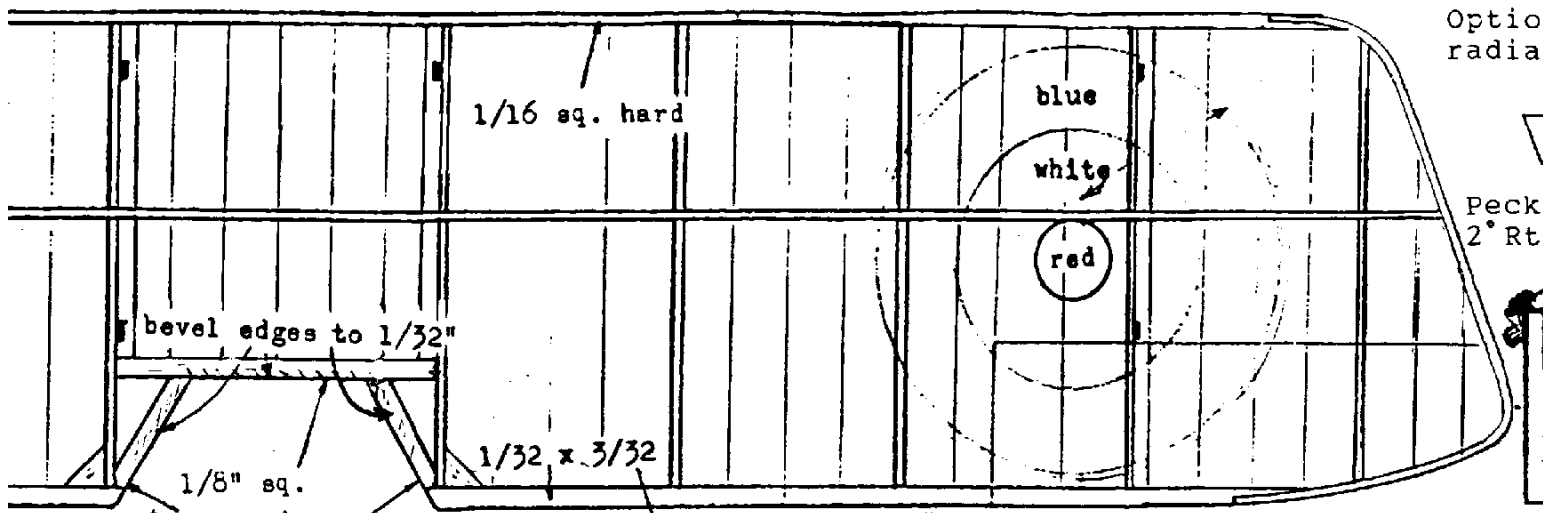


LANDING GEAR FIXTURE
 (balsa or pine)



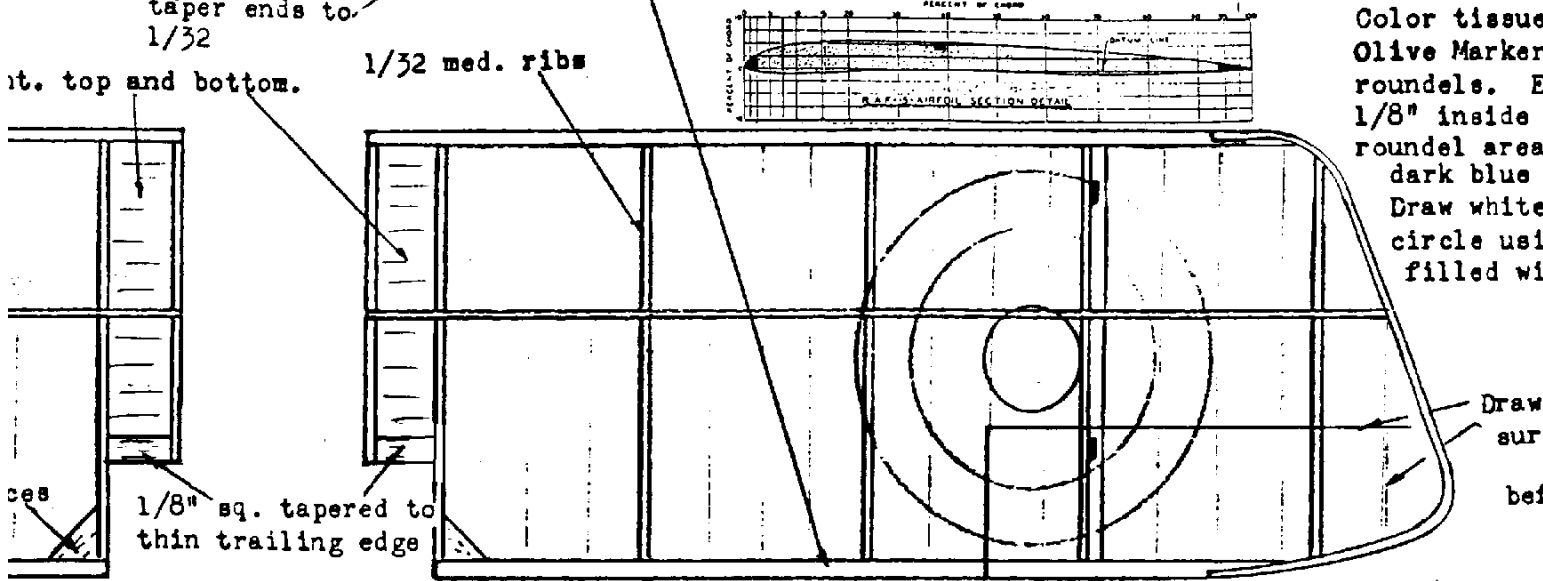
CABANE STRUT FIXTURE
 VERTICAL SUPPORTS

zzard



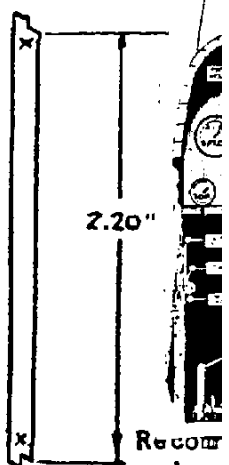
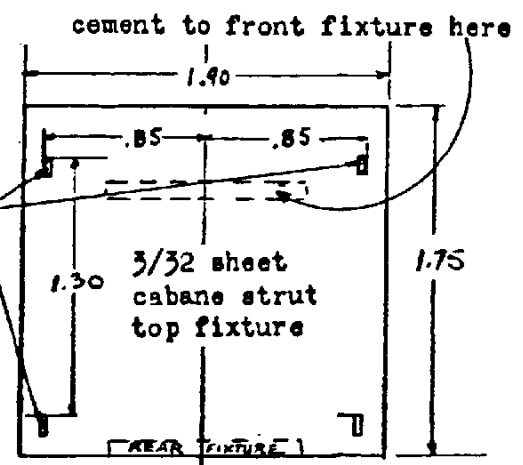
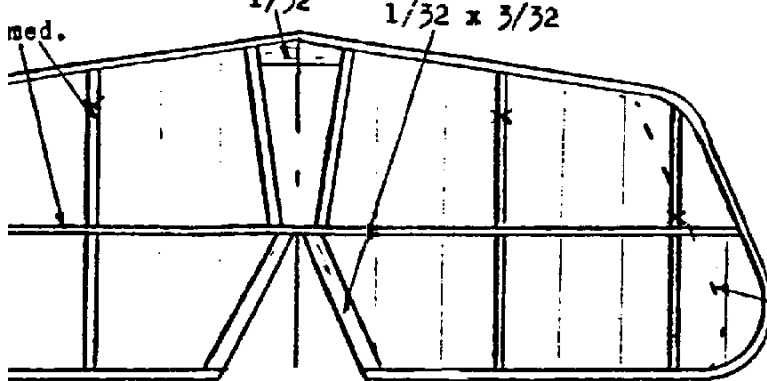
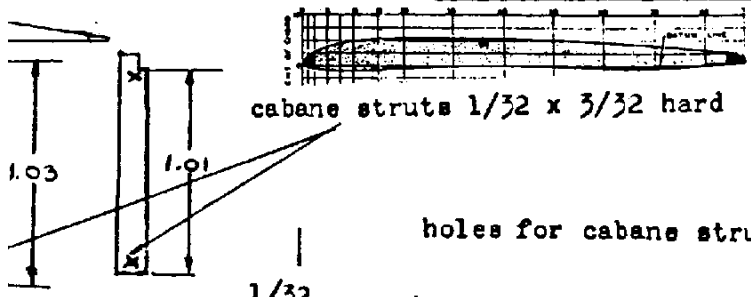
Optio
radia

Peck
2° Rt



Color tissue
Olive Marker
roundels. E
1/8" inside
roundel area
dark blue
Draw white
circle usi
filled wi

Draw sur
bef



Optional
Bot. rib

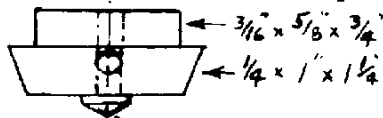
Interplane struts
1/32 x 3/32
hard balsa.
4 required
Recom
made c
formec
15 deg
mount
at 30
power

all curved c lines & 1/32
square balsa, medium, A cut
Soak in water then bend around
a warm 75 watt soldering iron
shank (at about 80 volts)

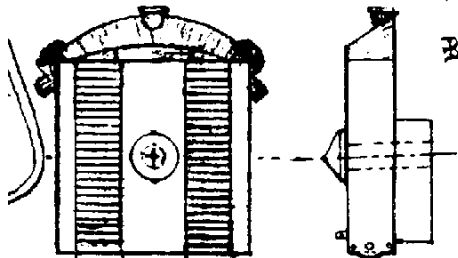
Martinsyde F4 Buzzard

By: Steve Griebing

Optional F.4 twin Galloway
 radiator casing nose plug



Peck PA019 Thrust Bearing
 2° Rt., 2° Down (1/32"/inch)

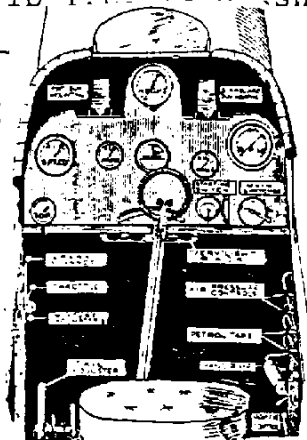


Issue with Chartpak
 markers, except for
 1. Extend color 1/16" to
 side outer edges of
 areas. Roundels are
 blue and red tissue.
 white outline around blue
 using an inking compass
 and with white dope.

Draw scale ribs and control
 surface outlines with ink

before doping tissue.

RAF 15 top wing rib
 rib T.E. is 6" shorter.



Recommended prop is 5" dia.
 made of 1/32" bass blades
 formed on 2" cylinder at a
 5 degree angle;
 mount on hub so roots are
 at 30 to 35 degree pitch;
 cover with 16" loop of 1/8"