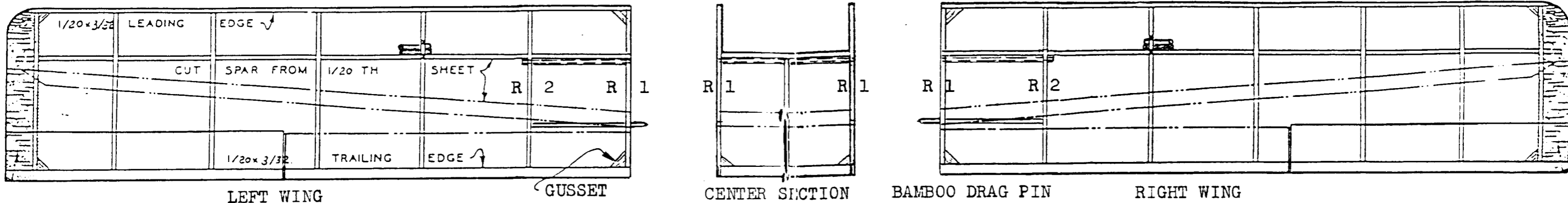
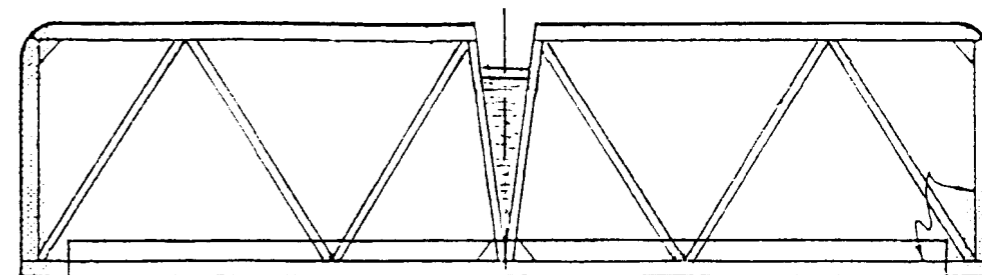
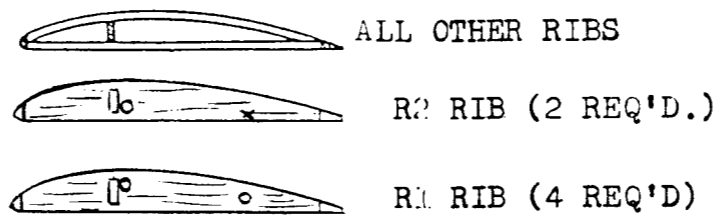
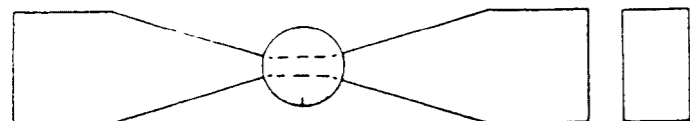


PLASTIC TUBING TO ACCOMMODATE CARRY-THRU

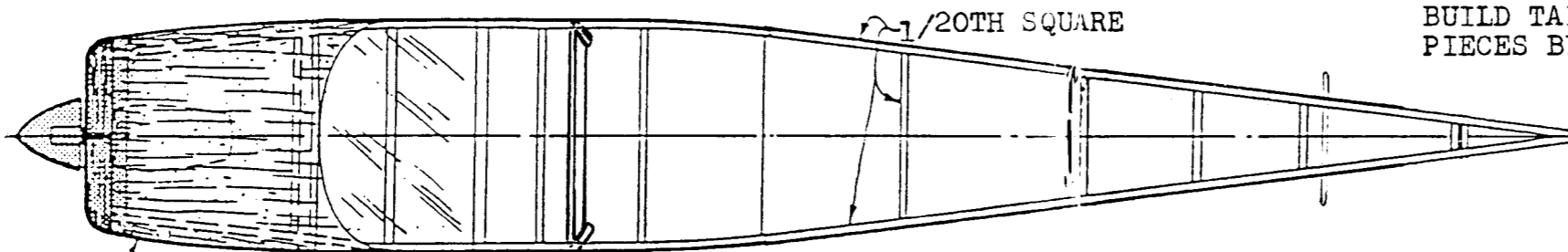


1/32 SHEET TIPS FOLLOW TOP CURVATURE OF RIB

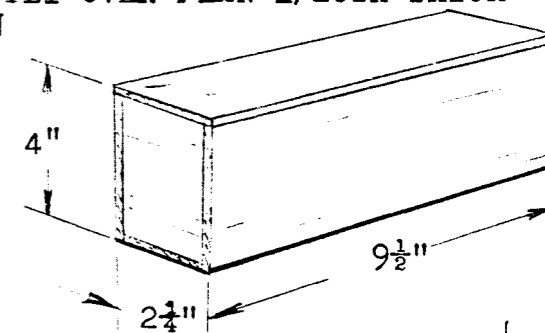


ALL STRUCTURE IS MEDIUM Balsa UNLESS OTHERWISE NOTED.

CARVED Balsa PROP SPINNER



SHIPPING CRATE IS MADE FROM ONE SHEET OF 1/4x4x36 Balsa.



3/32 SHEET COWL SIDES

COWL TOP IS WRAPPED 1/32ND "A" GRAIN SHEET Balsa

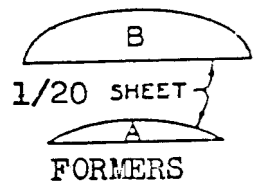
COWL BOTTOM IS 3/32ND SHEET

COVER MODEL WITH LIGHTWEIGHT TISSUE. COLOR SCHEME IS WHITE WITH BLUE TRIM AND NUMBERS BLACK "N" ON SWAN CIRCLE

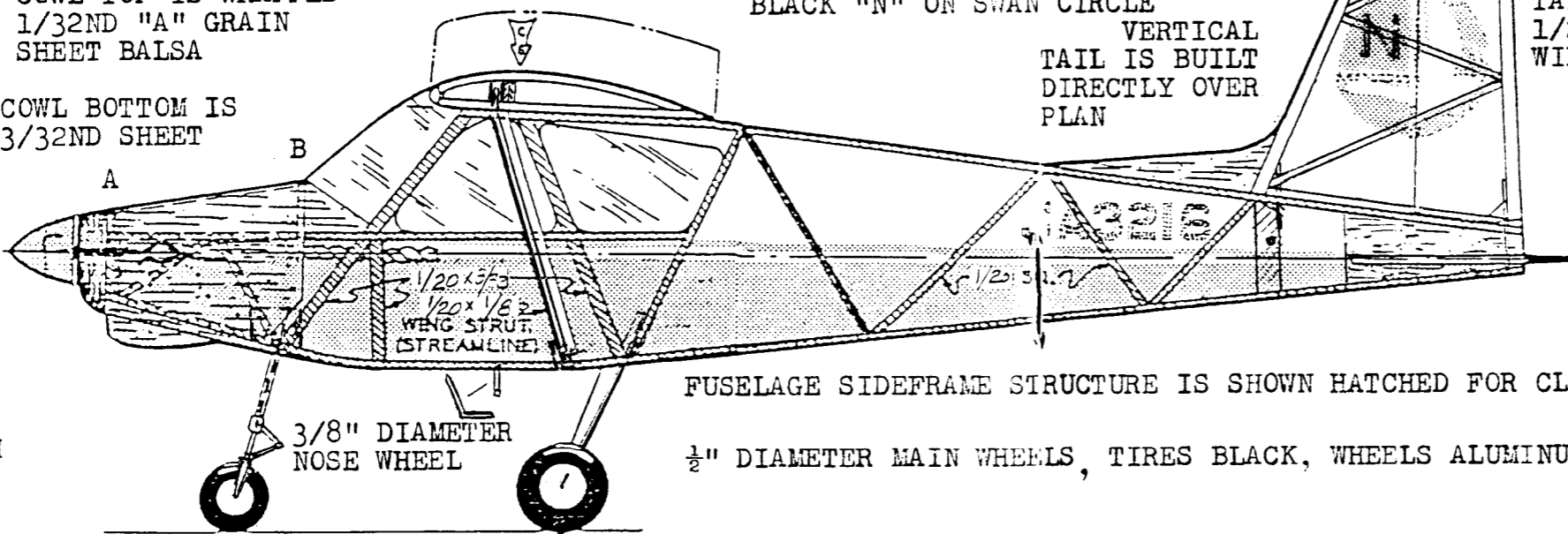
VERTICAL TAIL IS BUILT DIRECTLY OVER PLAN

ALL VERTICAL TAIL PARTS ARE 1/20TH THICK BY WIDTH SHOWN.

LANDING GEAR PATTERNS, USE .015 PIANO WIRE



5/32ND THICK NOSE BLOCK AND BACKING PLATE. 1/16" DIA. ALUMINUM TUBE THRUST BEARING



FUSELAGE SIDEFRAME STRUCTURE IS SHOWN HATCHED FOR CLARITY

1/2" DIAMETER MAIN WHEELS, TIRES BLACK, WHEELS ALUMINUM.

