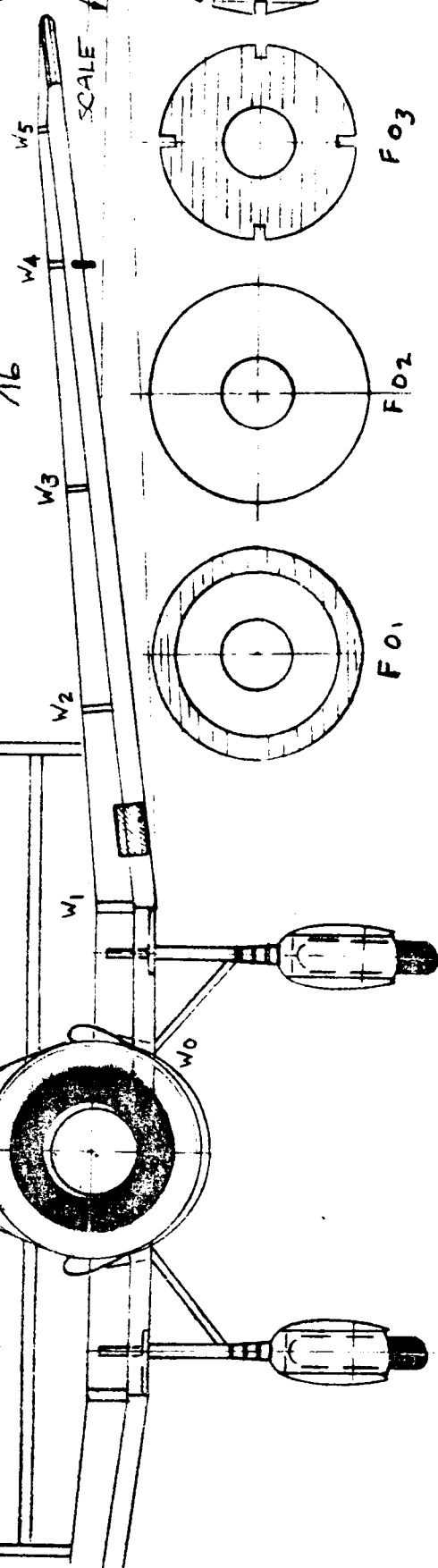
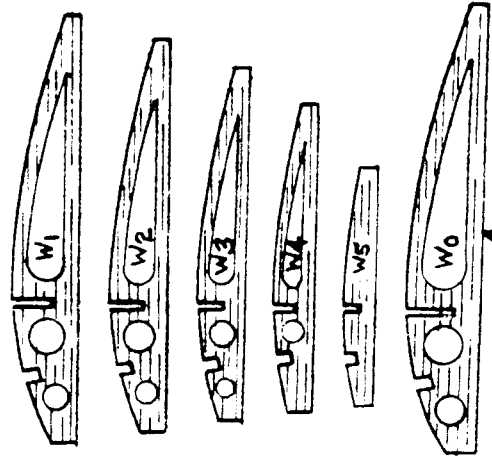
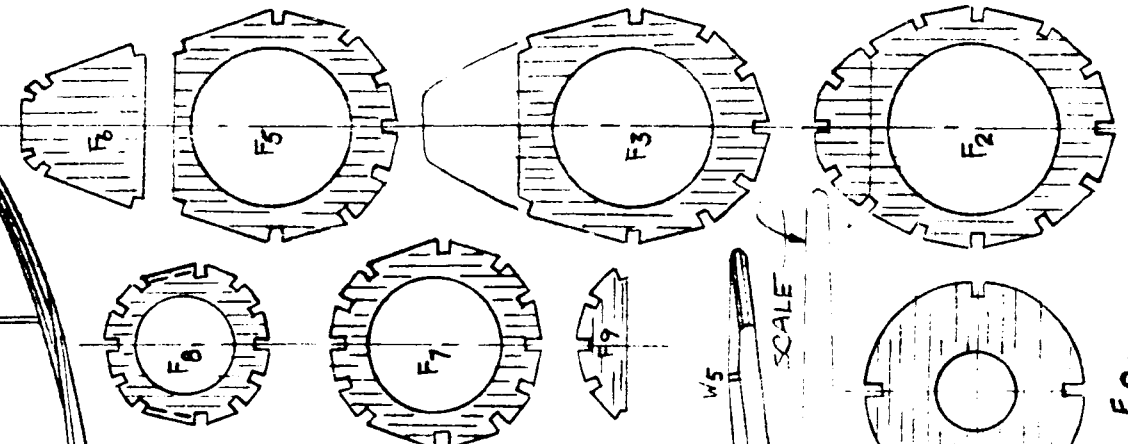


PROP BLANK

COLOR SCHEME : OLIVE GREEN TOP SURFACES  
 & LANDING GEAR & VERT.  
 STAB. LIGHT BLUE  
 LOWER SURFACES



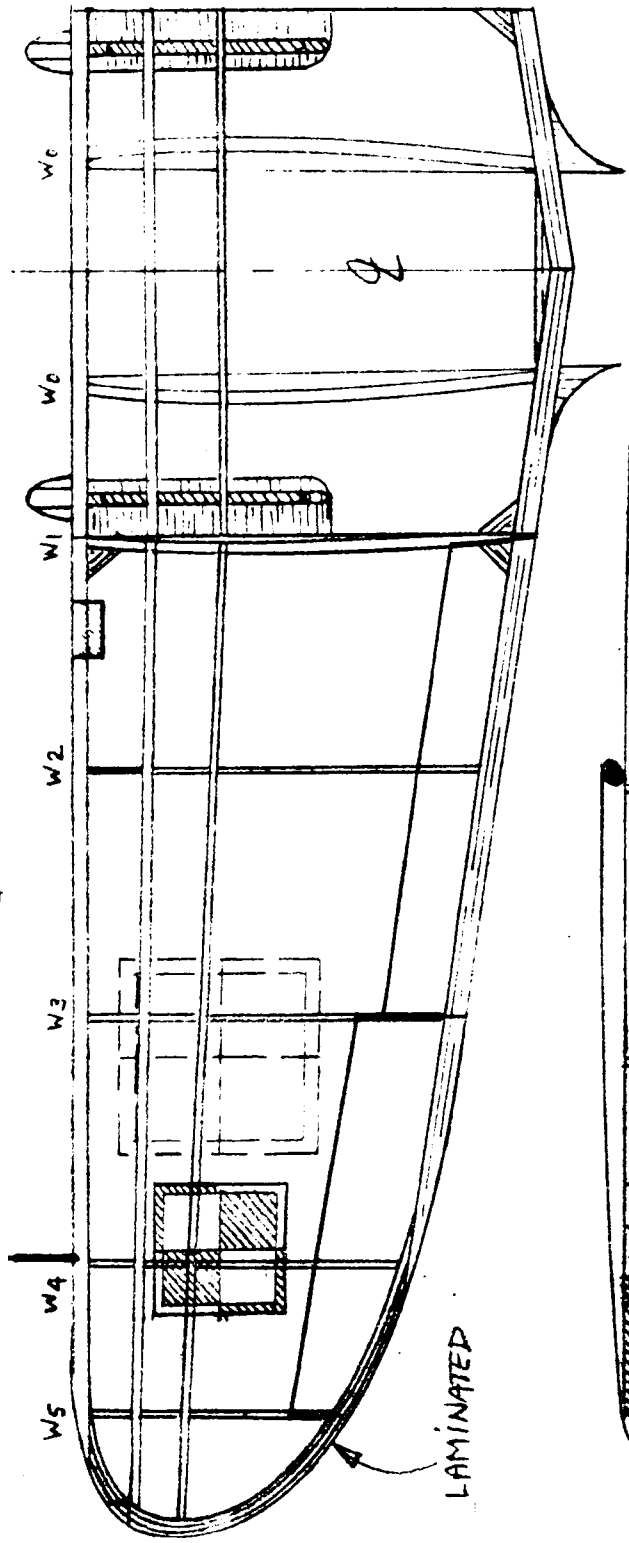
F03

F02

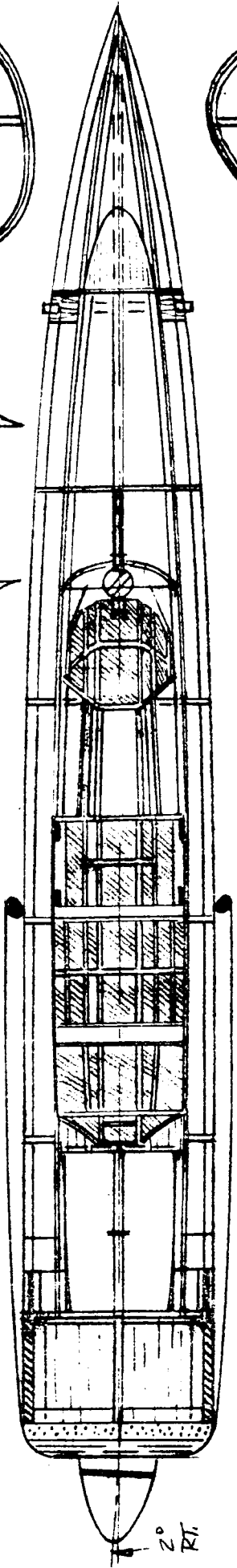
F01

POLISH INSIGNIA:  
RED & WHITE  
SQUARES

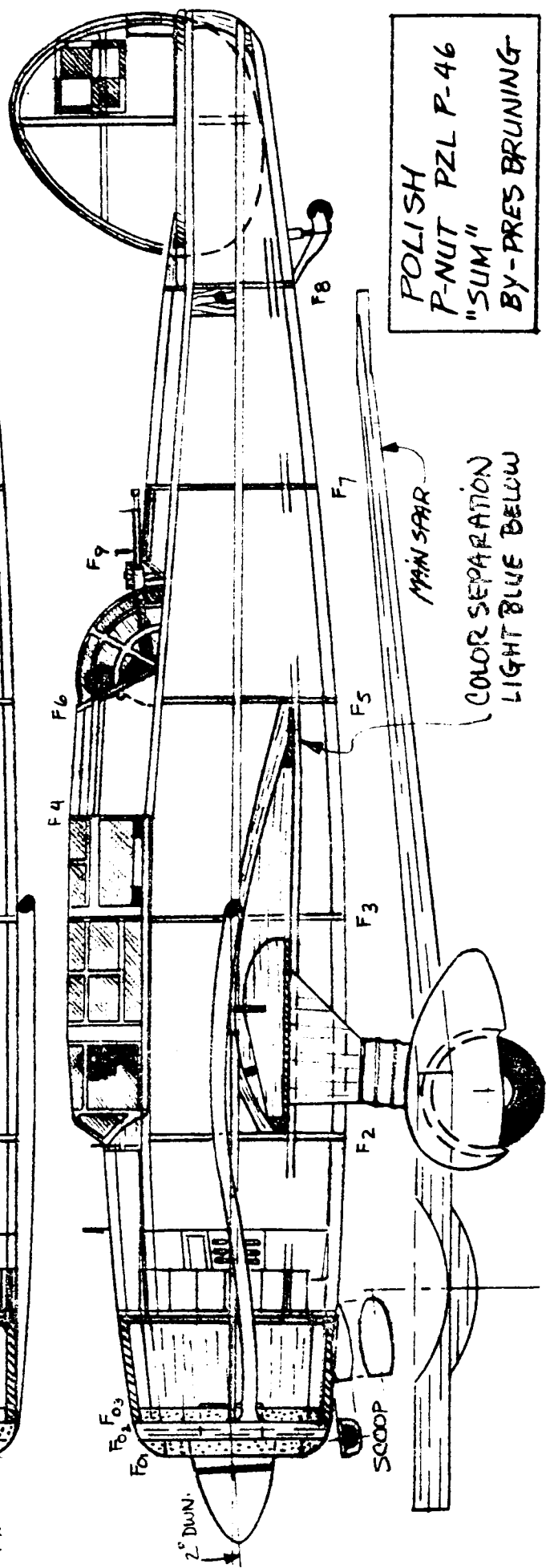
LAMINATED



LAMINATED



2° RT.



2° DOWN

SCOOP

MAIN SPAR

COLOR SEPARATION  
LIGHT BLUE BELOW

POLISH  
P-NUT PZL P-46  
"SUM"  
BY-PRES BRUNING