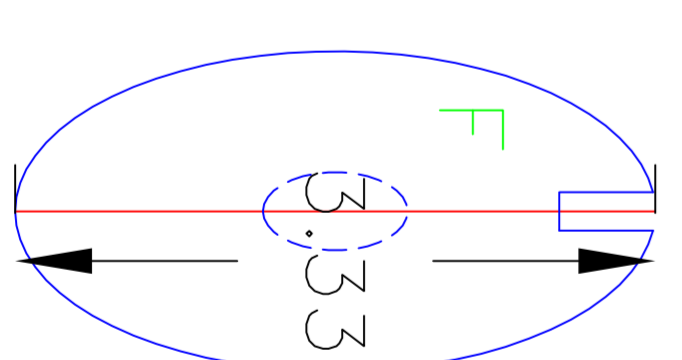
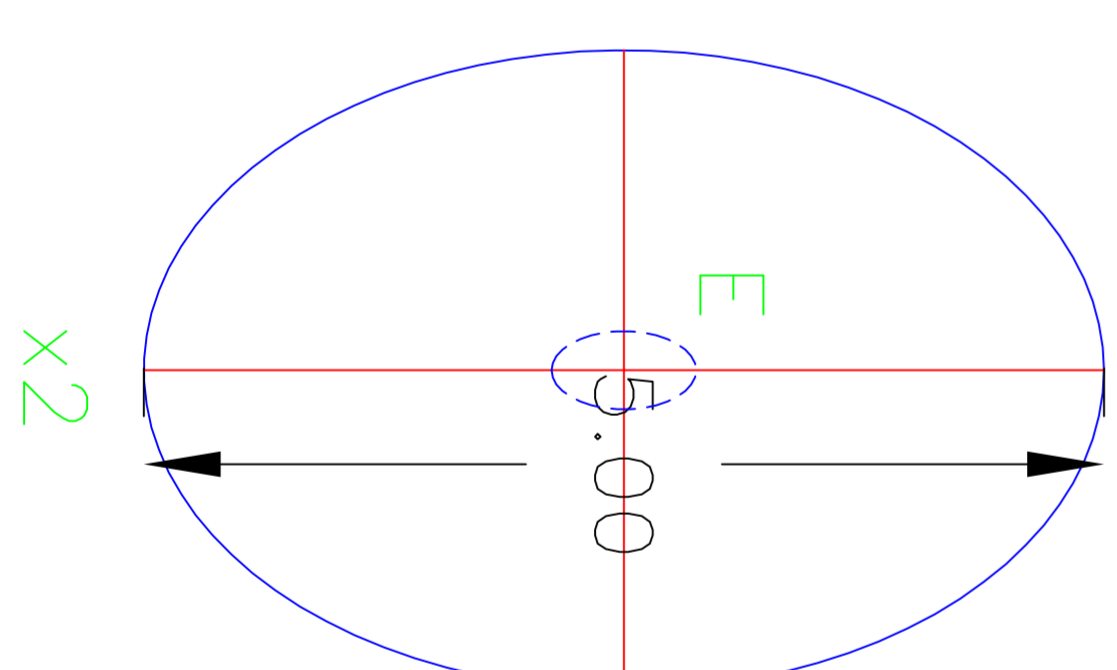
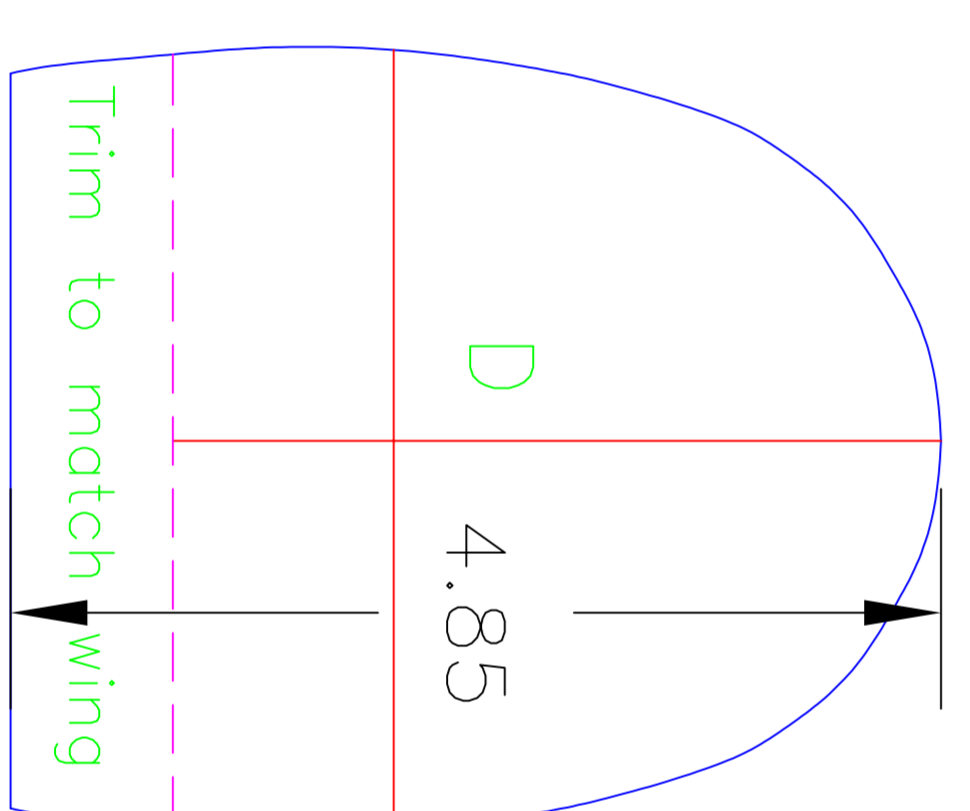
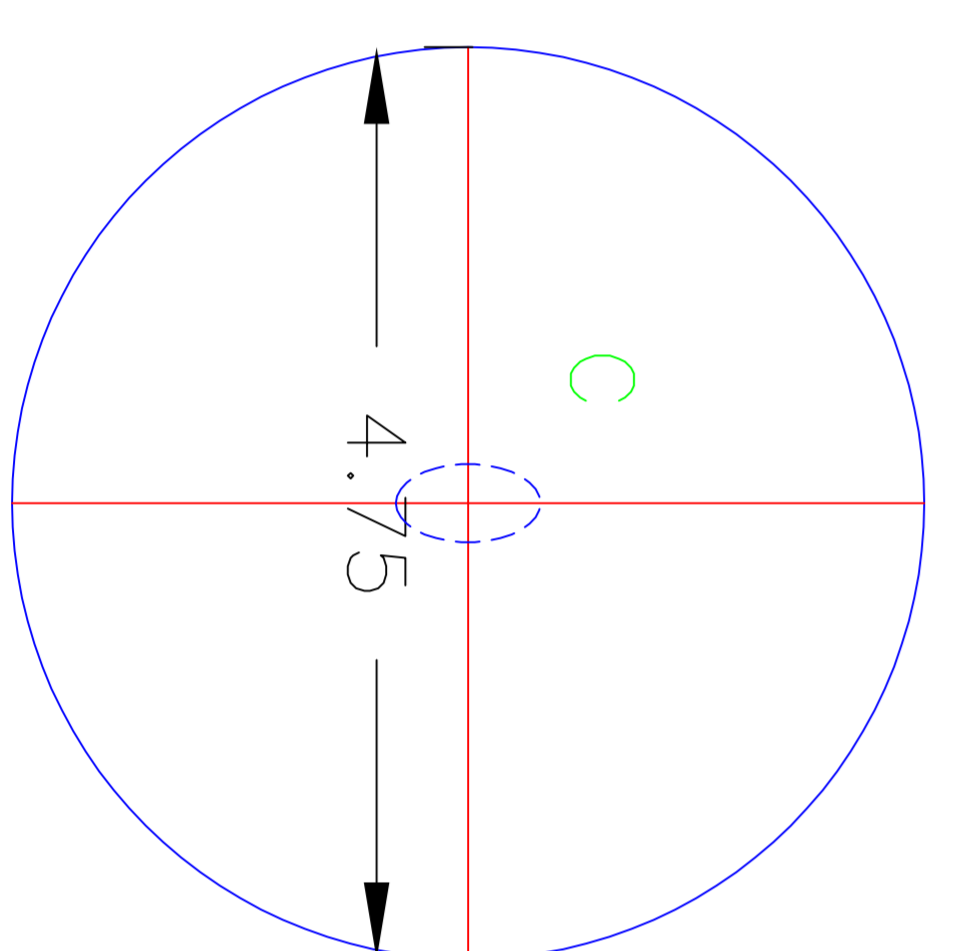
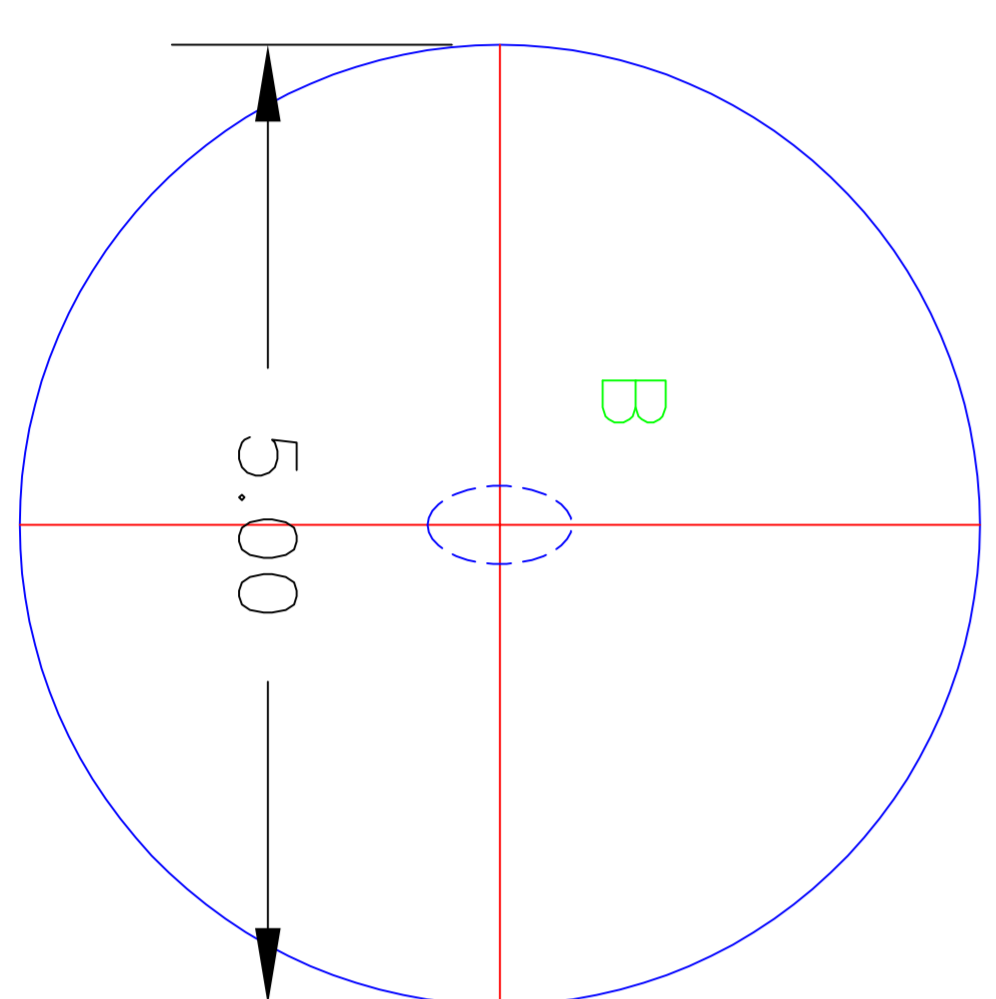
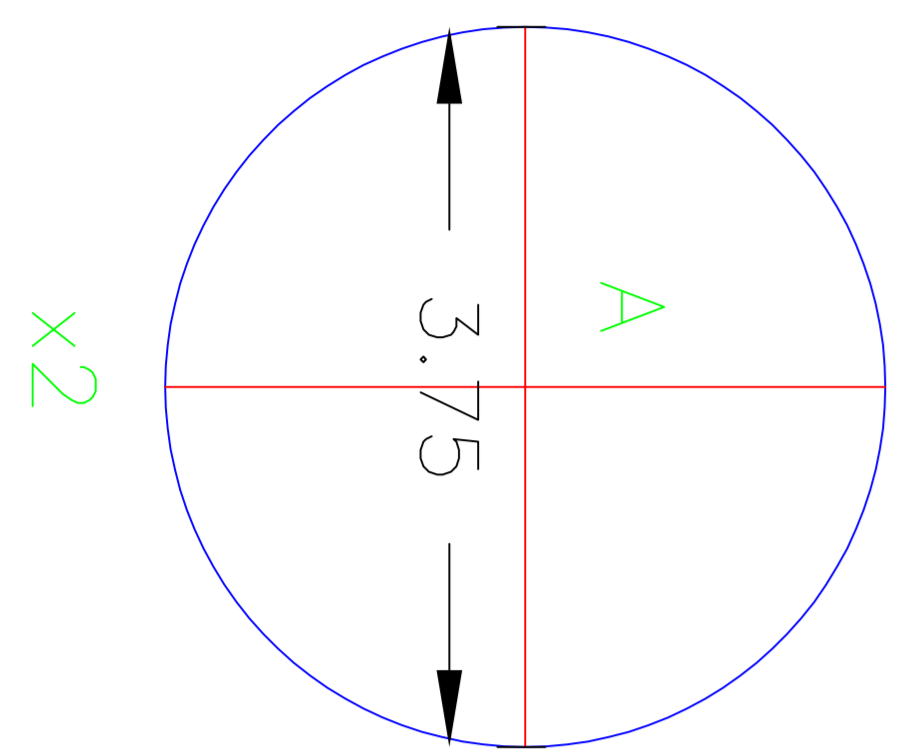
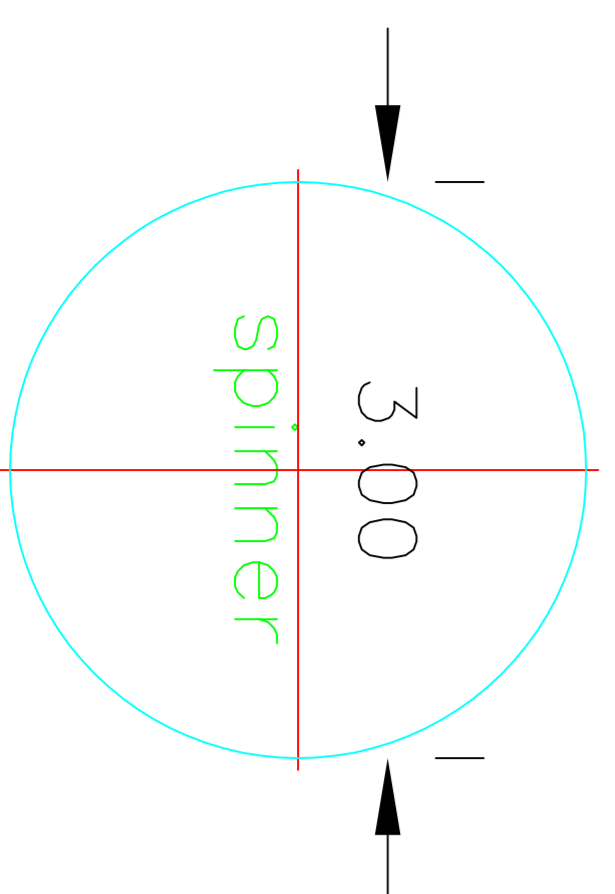


Make two sets of Formers from 3mm Correx with flutes biased 90 degrees



Formers optional built from 1/8 lite ply

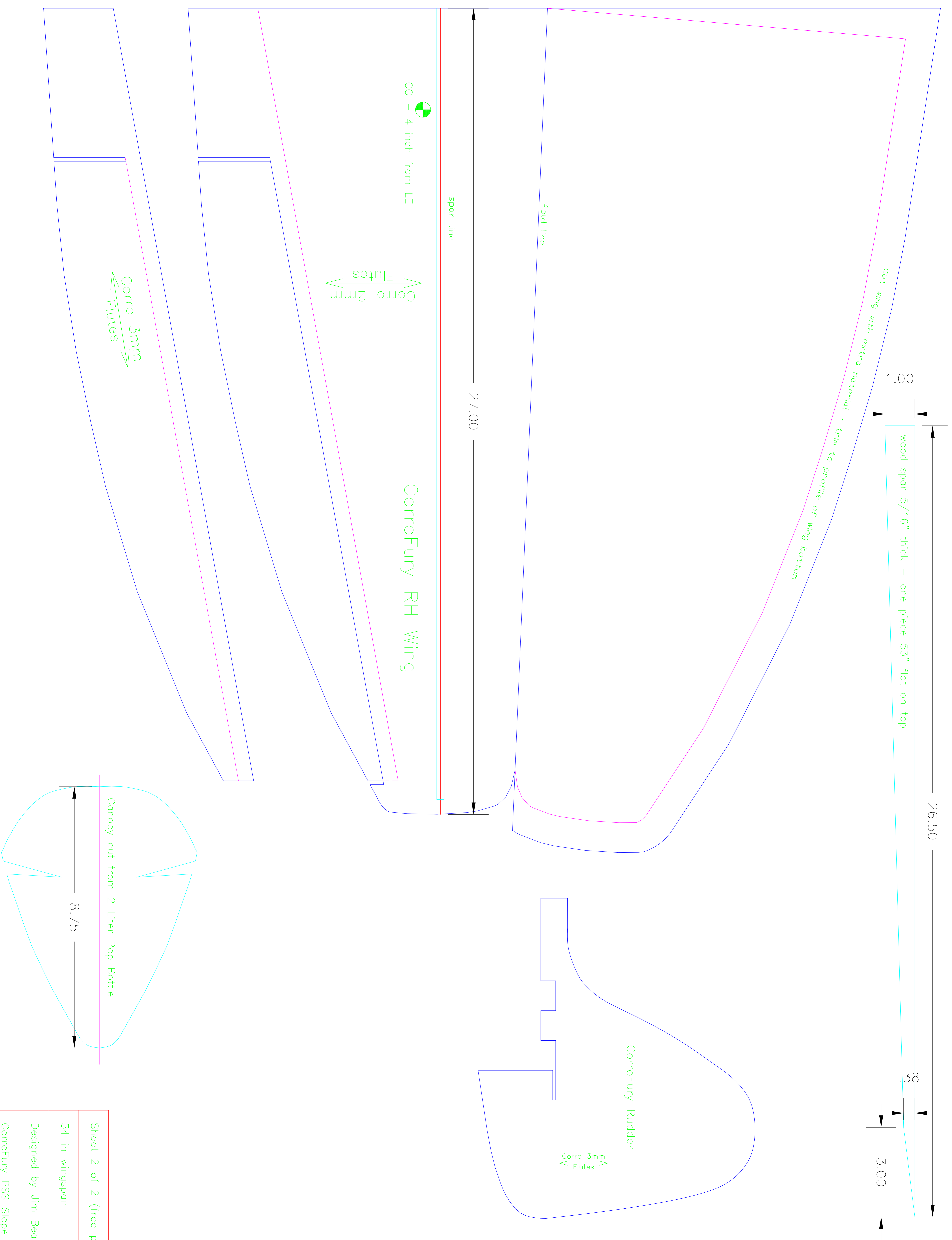
Hole in Formers - servo or battery wire

Sheet 1 of 2 (free plans)

54 in wingspan

Designed by Jim Beagle

CorroFury PSS Slope Plane



Sheet 2 of 2 (free plans)

54 in wingspan

Designed by Jim Beagle

CorroFury PSS Slope Plane