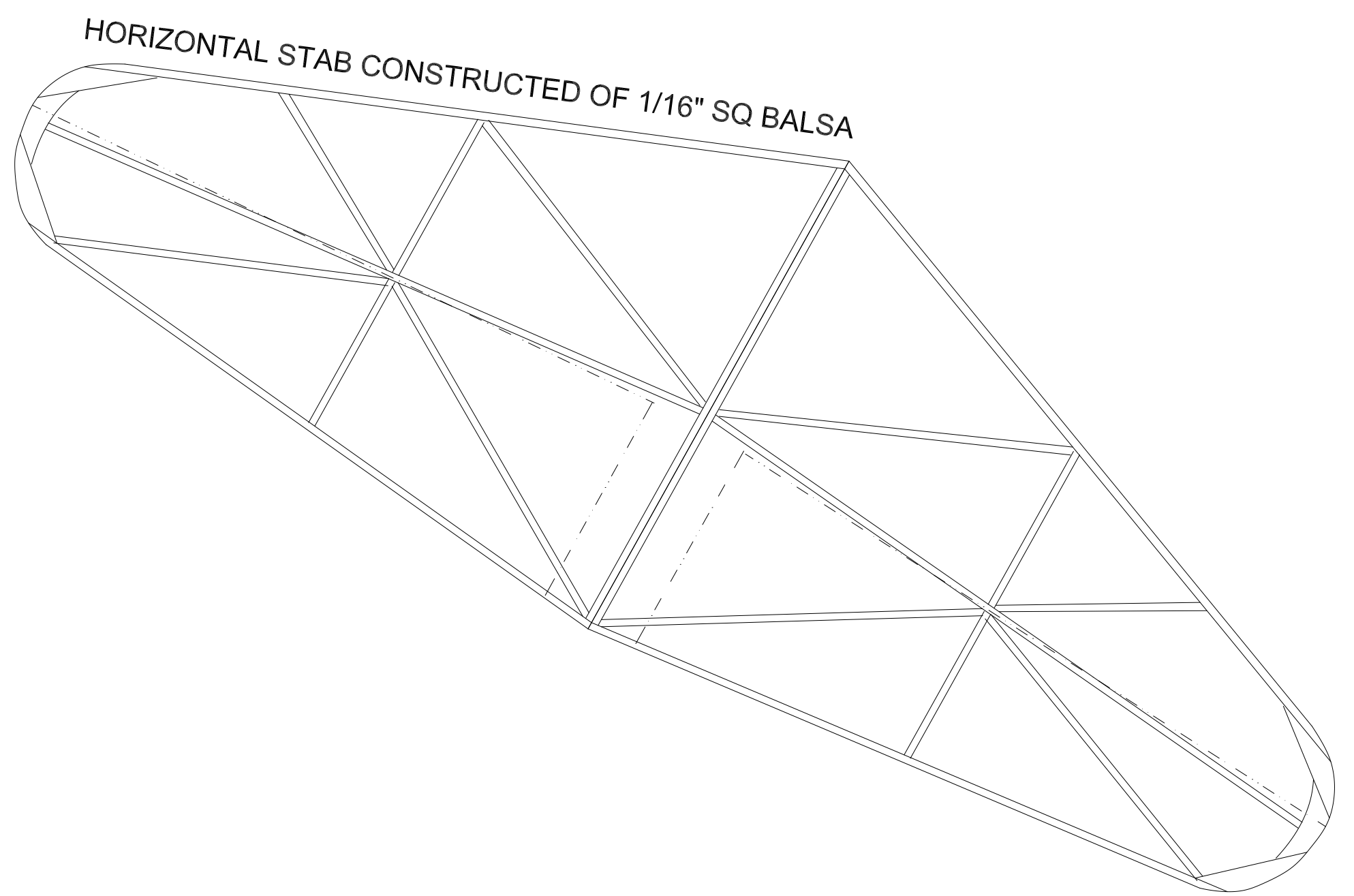
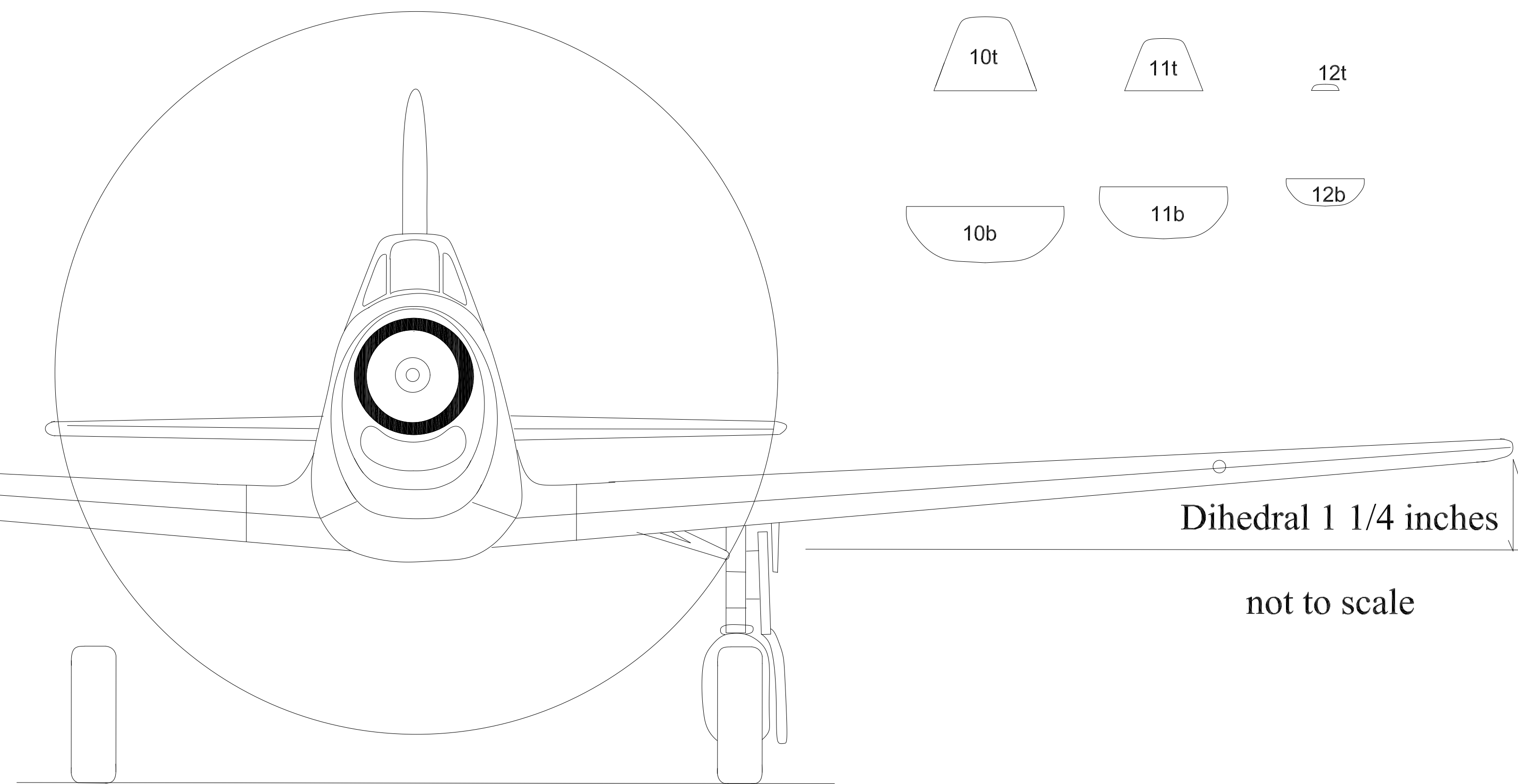


FORMERS MADE FROM HARD 1/32" SHEET Balsa

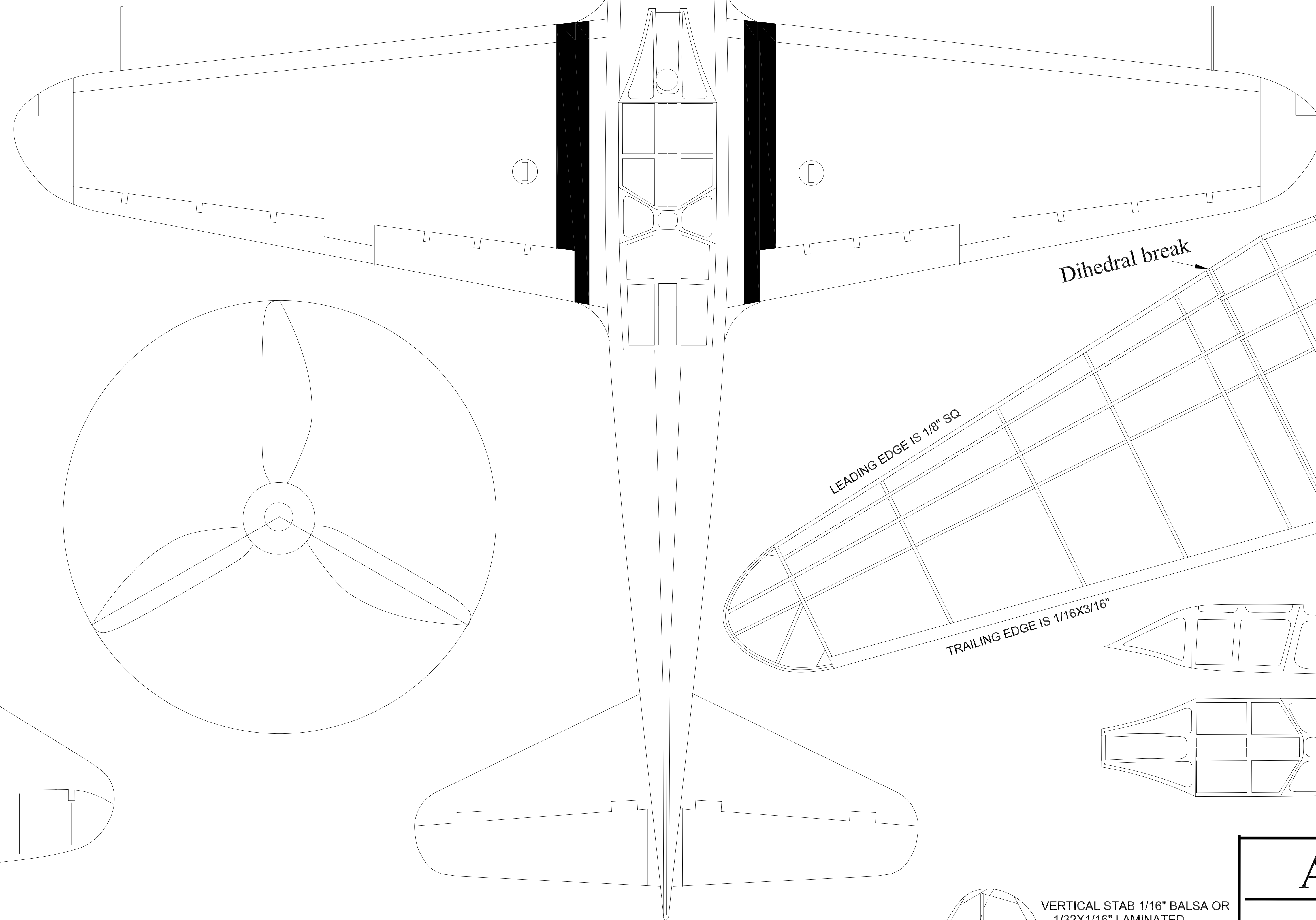
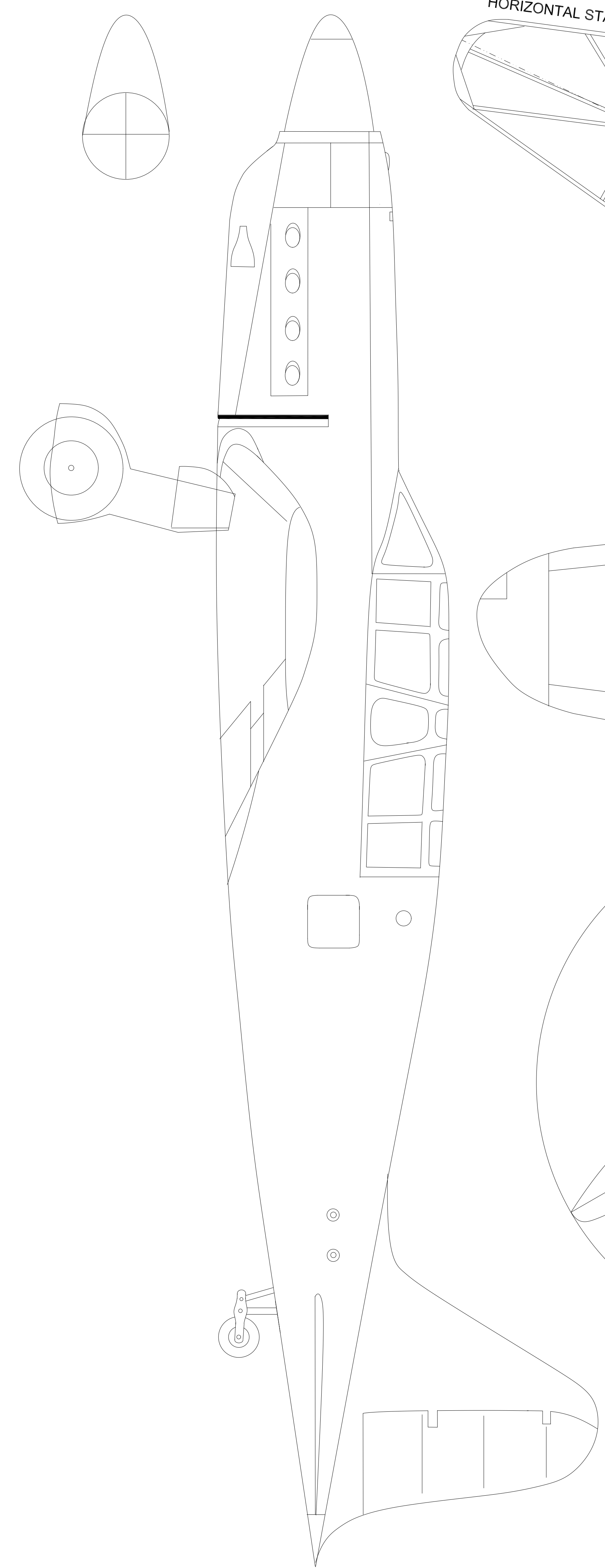


HORIZONTAL STAB CONSTRUCTED OF 1/16" SQ Balsa



Dihedral 1 1/4 inches

not to scale



TURBULATORS 1/16 SQ

Dihedral break

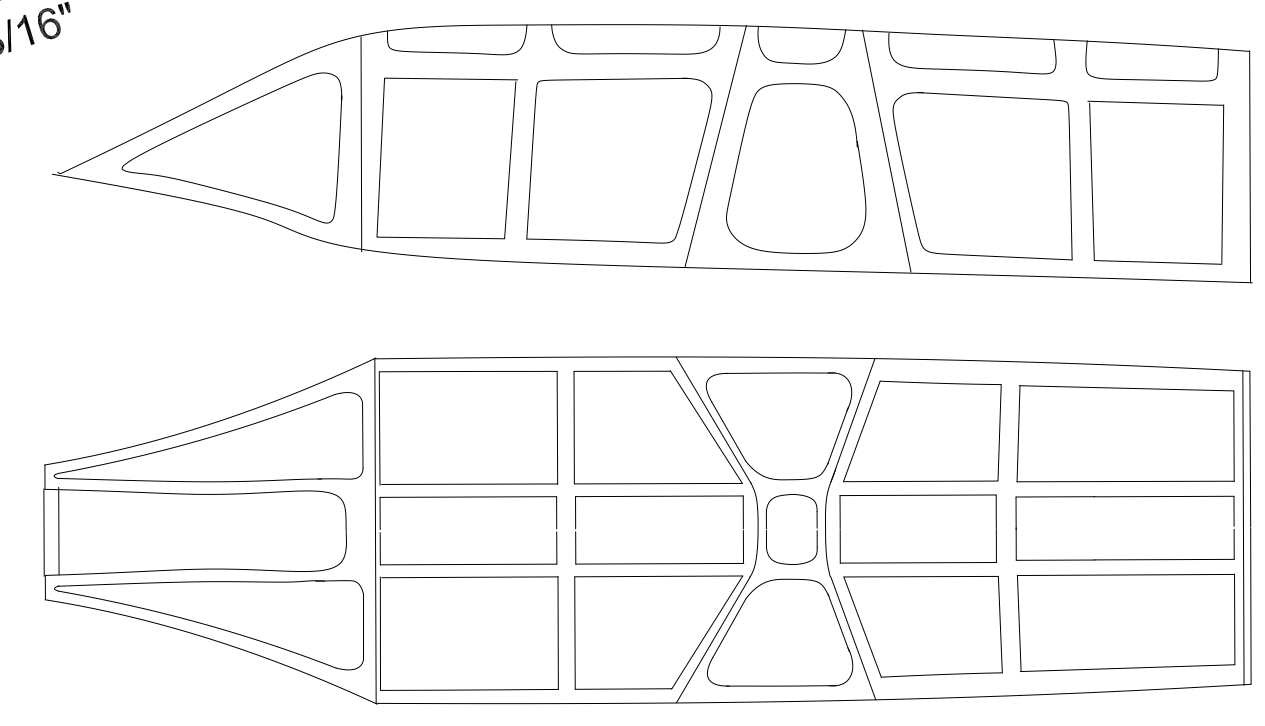
Dihedral break

MAIN SPAR 1/16 SHEET

Cracked Rib wing const
RIBS FROM HARD 1/16" SQ

LEADING EDGE IS 1/8" SQ

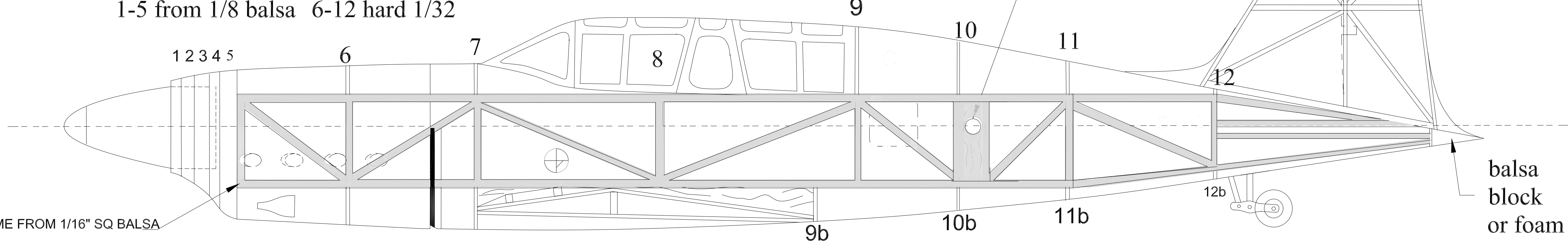
TRAILING EDGE IS 1/16x3/16"



VERTICAL STAB 1/16" Balsa OR 1/32x1/16" LAMINATED OUTLINE

MOTOR ANCHOR

1-5 from 1/8 balsa 6-12 hard 1/32



FUSELAGE BOX FRAME FROM 1/16" SQ Balsa

balsa block or foam

AMBROSINI SAI SUPER S7

24 inch Wing Span

Drawn by Tom Akery

From 3 view of the SAI 7
and pictures of the Super S7

March 15, 2013

Copyright © 2013