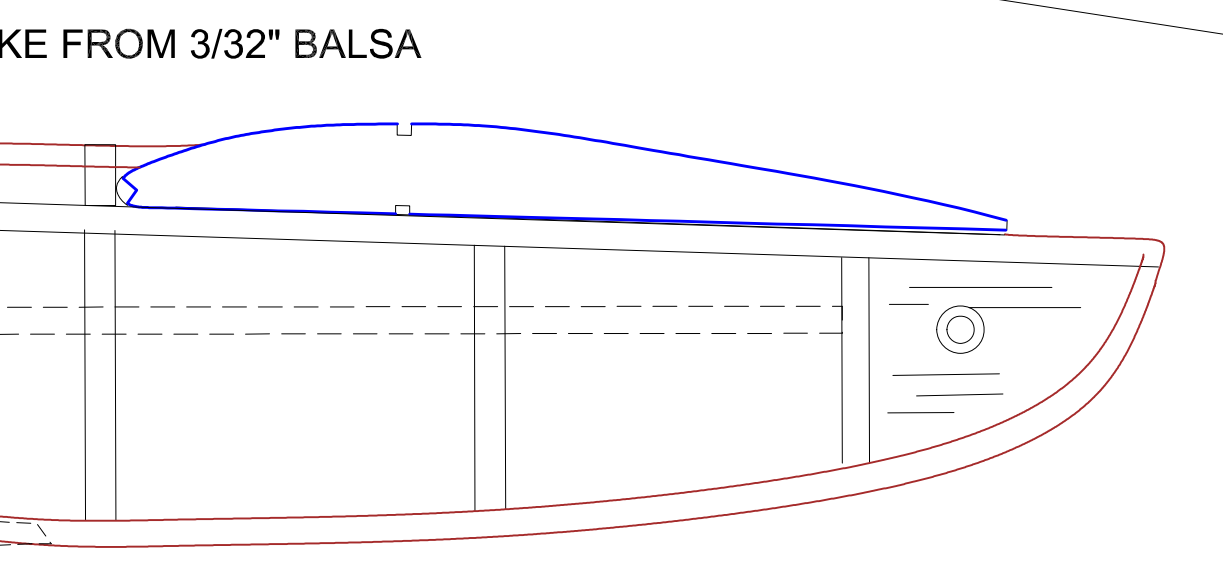
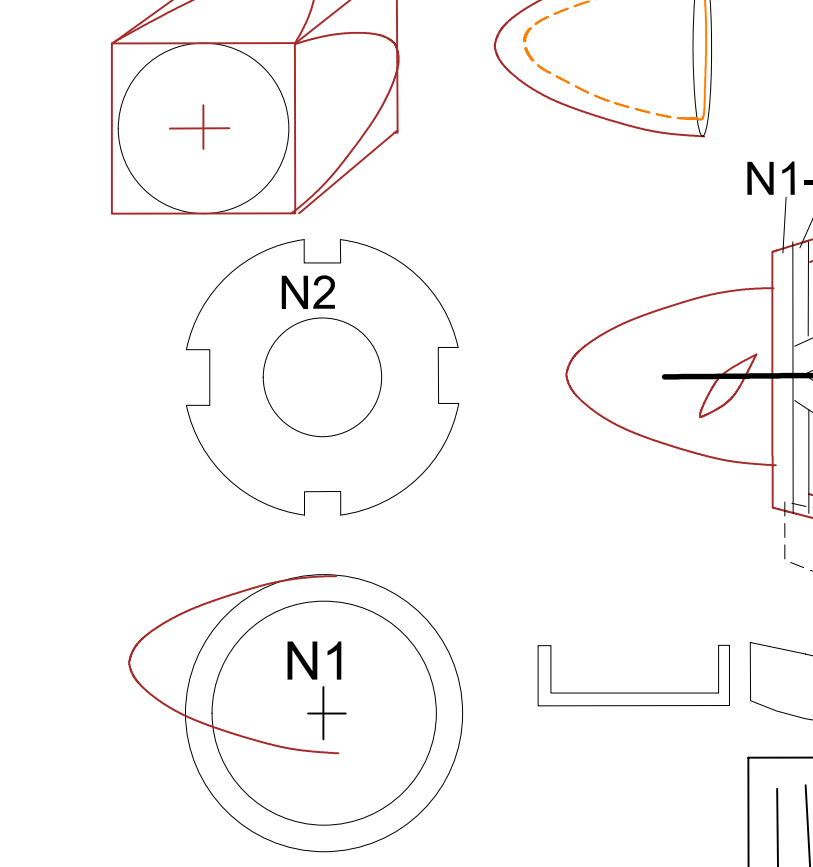
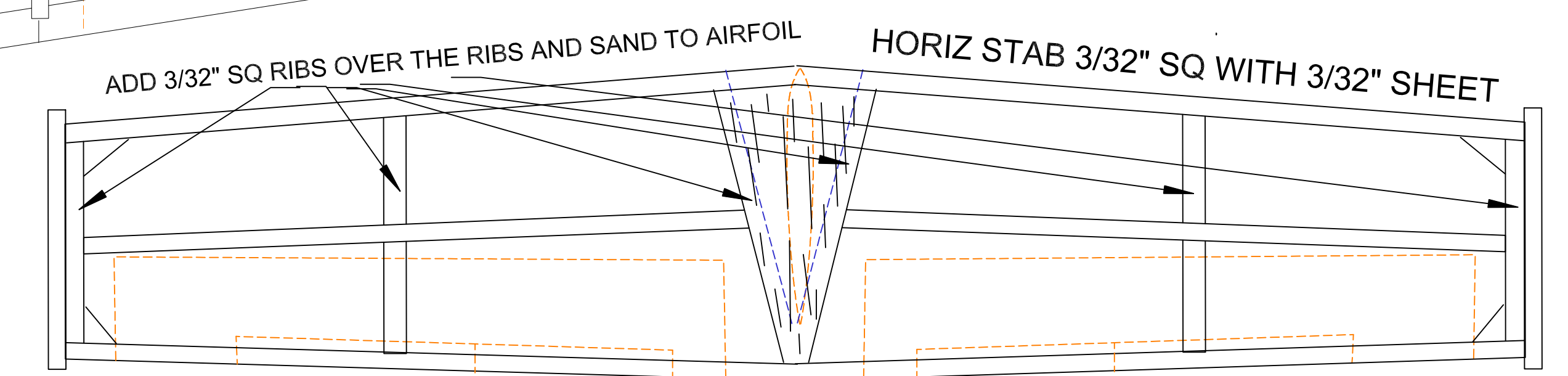


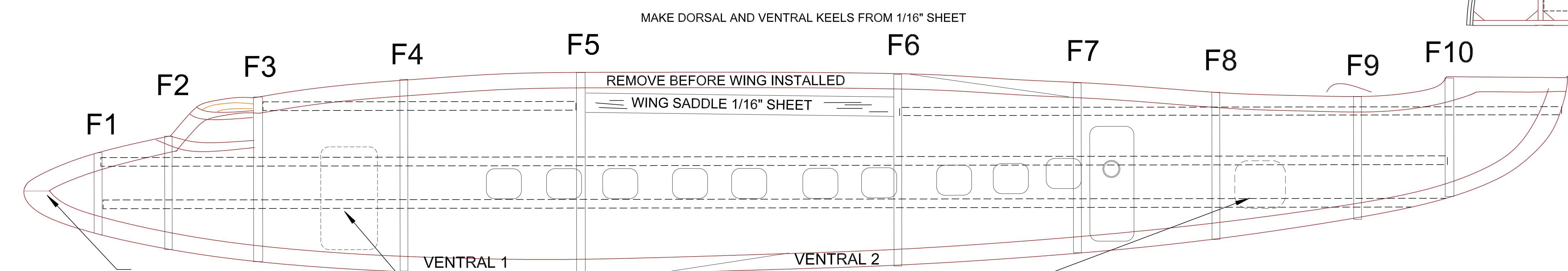
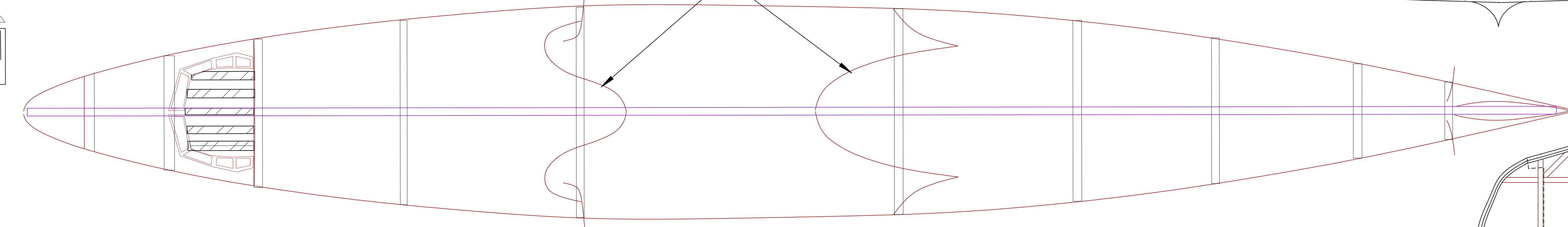
CARVE SPINNER FROM Balsa BLOCK HALLOW OUT



MAKE WING ROOT FAIRINGS FROM PAPER TRIM TO FIT USING THE LINES ON THE FUSELAGE BELOW

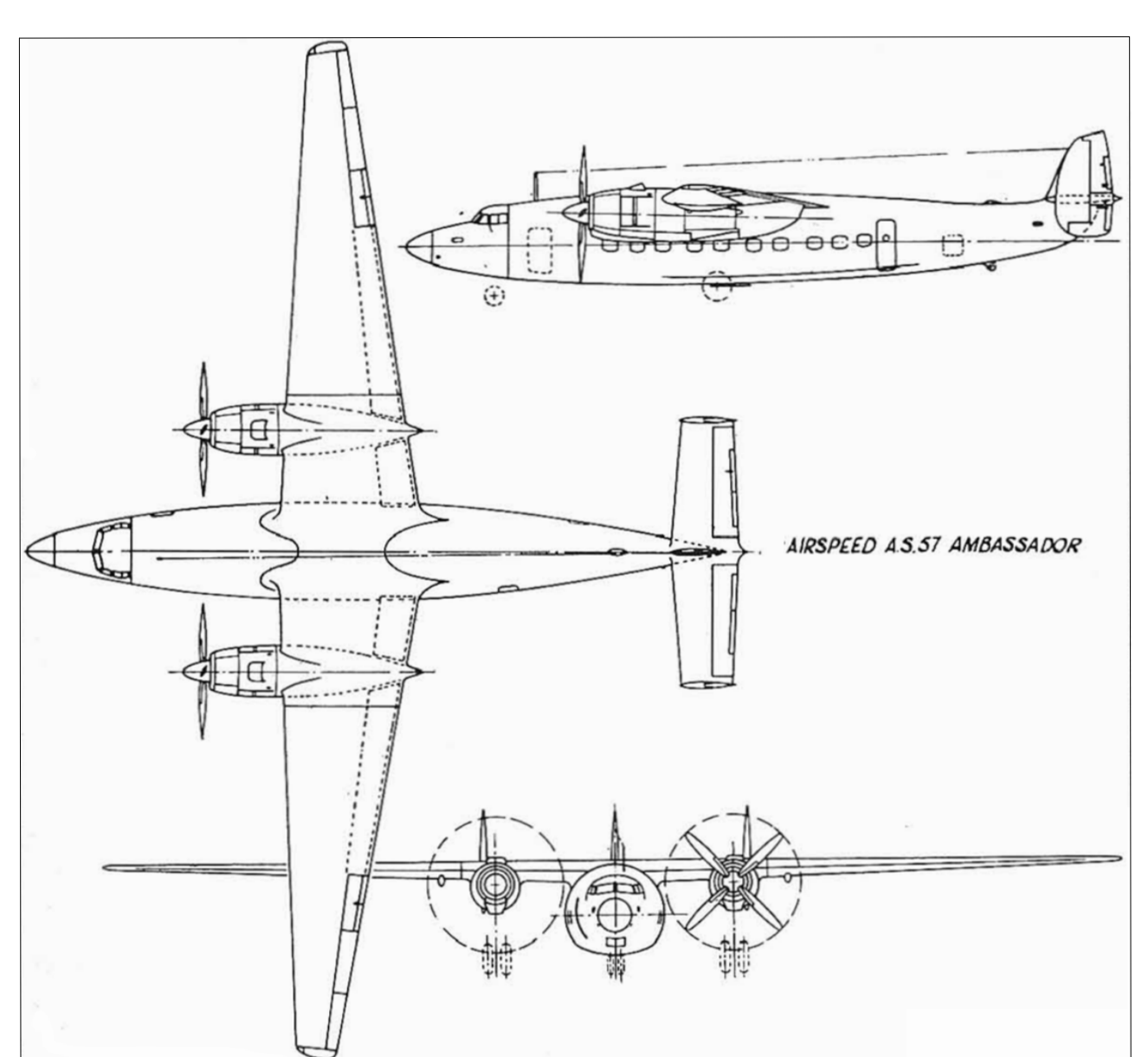
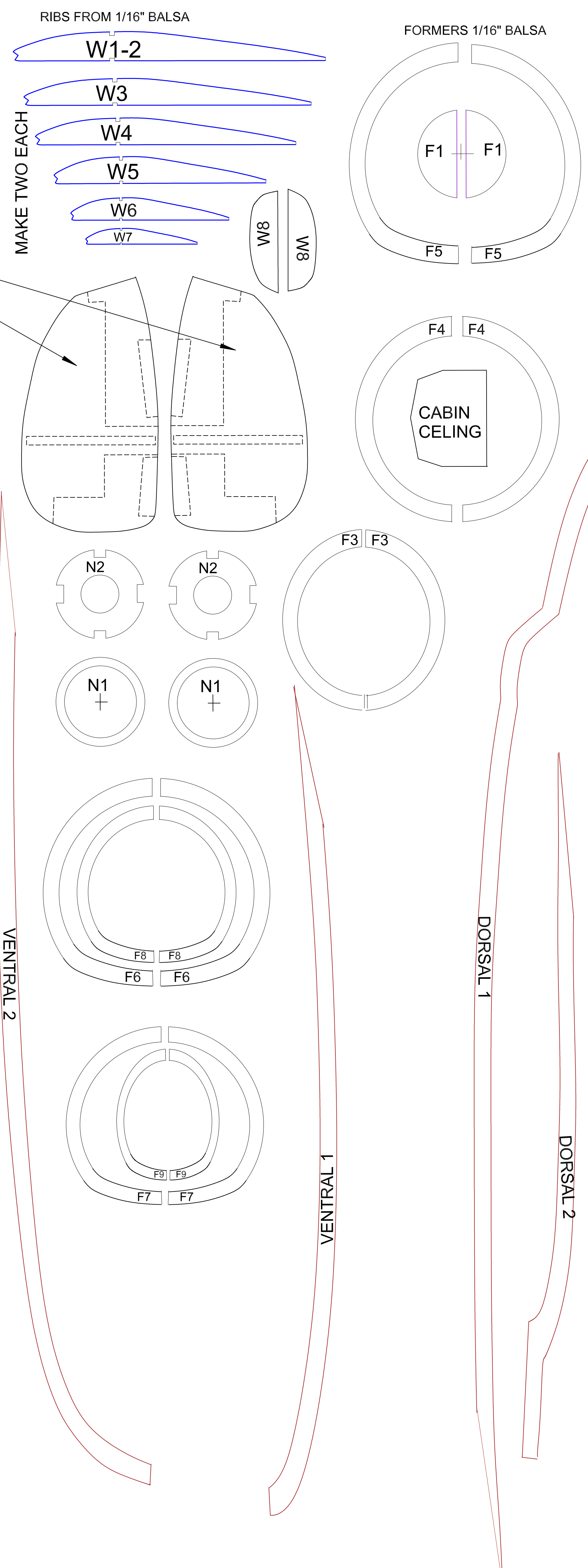


USE THE MOLDED BLADE METHOD SEE STICKANDTISSUE.COM PROP SECTION
PROP PATTERN MK4 1/32" PLY



FILL EACH SIDE OF NOSE FORWARD OF F1 WITH SCRAP Balsa SAND TO SHAPE

DOTTED LINES ARE RIGHT SIDE ONLY



AIRSPPEED AS 57 AMBASSADOR

40" SPAN TWIN RUBBER POWERED AIRLINER OF EARLY 1950S
DRAWN BY TOM AKERY 3 JULY 2022 FROM 3 VIEW ON NET