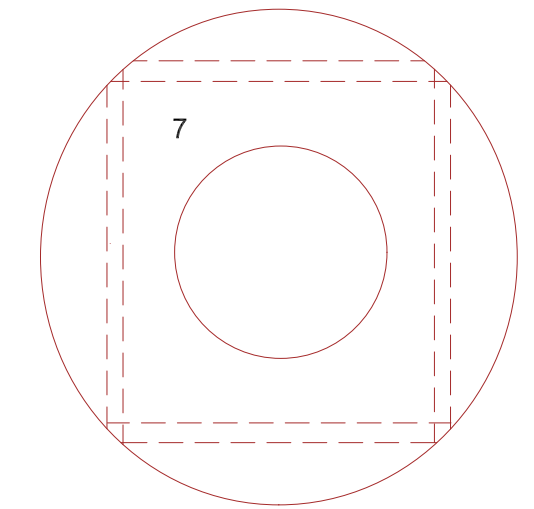
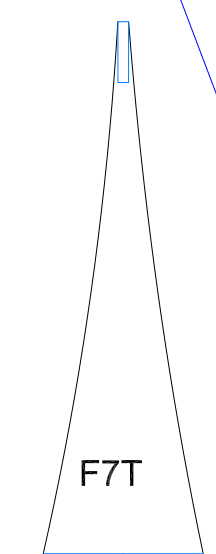
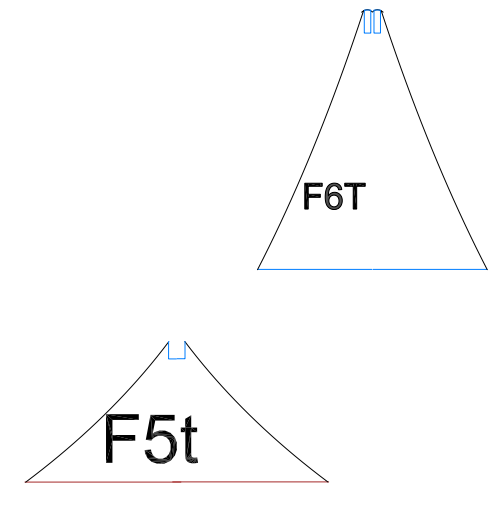
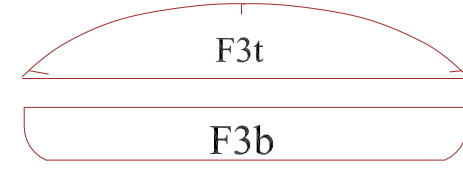
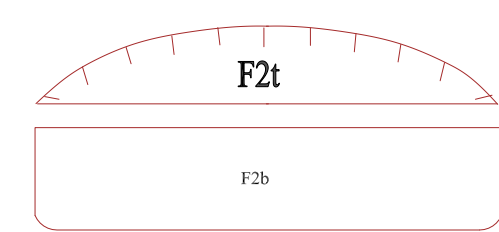
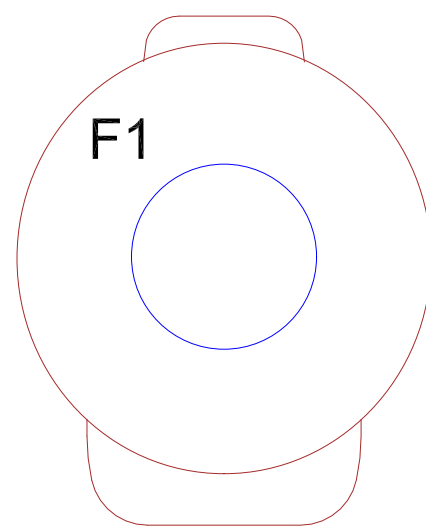
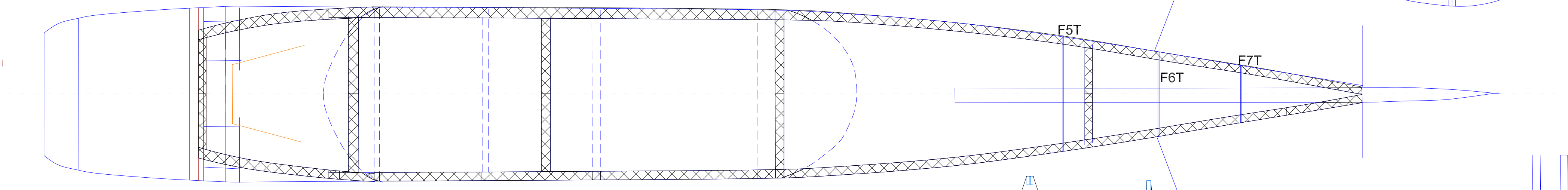
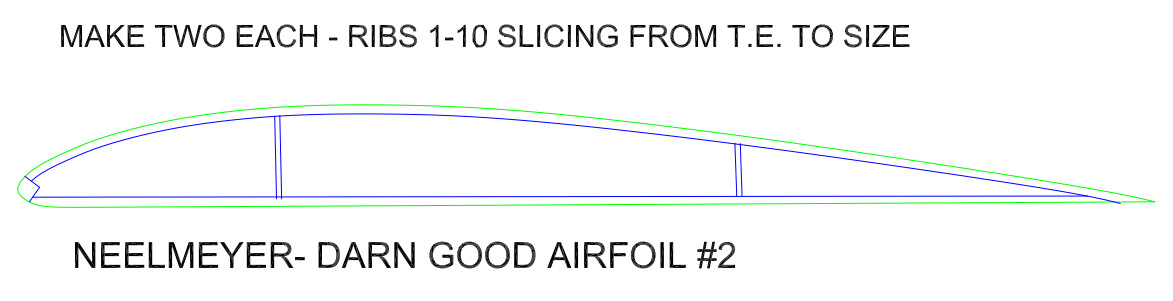
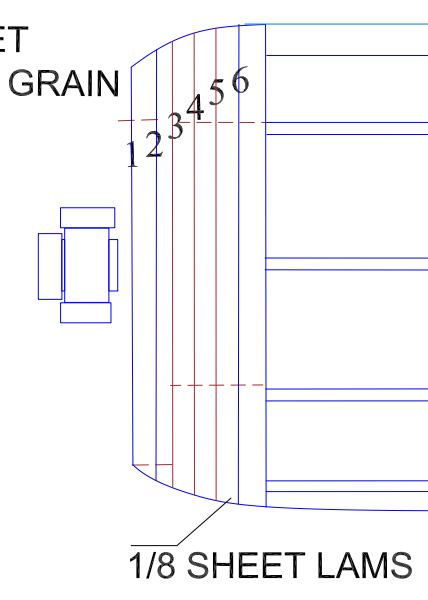


NOT FOR RESALE



BALSAA BLOCK OR FOAM

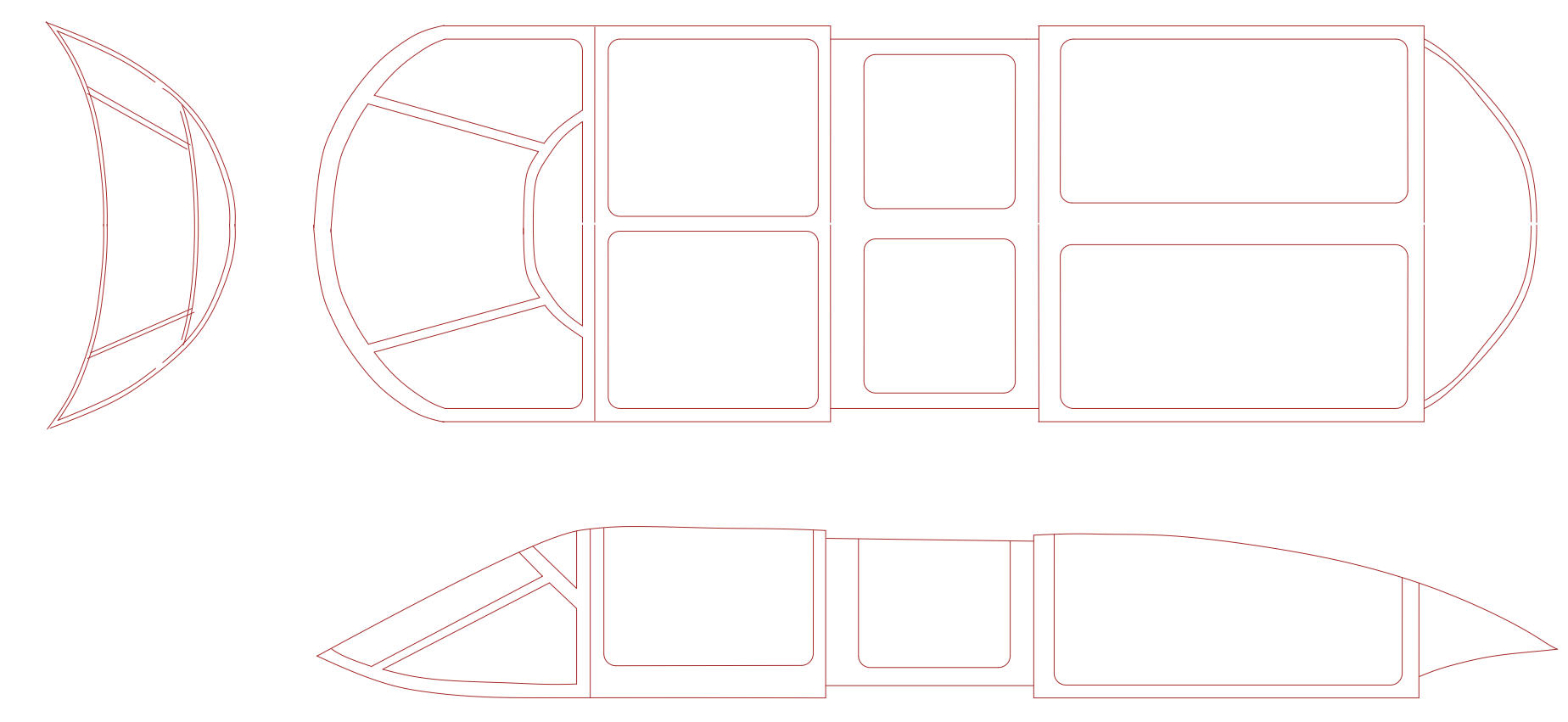
6- 1/8 BALSAA SHEET
LAMINATE CROSS GRAIN



FUSELAGE BOX FRAME 3/32 SQ BALSAA

BOTTOM LONGERON 1/8 SQ BALSAA TO ALLOW ROUNDING OF EDGE OF FUSELAGE

LIGHT WIRE HINGE



DOUGLAS A1E SKYRAIDER
 30 INCH SPAN RUBBER POWERED FREE FLIGHT
 MODIFIED FROM C.L. AD-1D PLAN FOUND ON THE INTERNET
 REDRAWN BY TOM AKERY 9/22/2013 MODIFIED 11/2015
 NOT FOR RESALE FREE TO MEMBERS OF S&T AND HPA
 stickandtissue.com AEROMODELLER'S FORUM CHECK IT OUT!