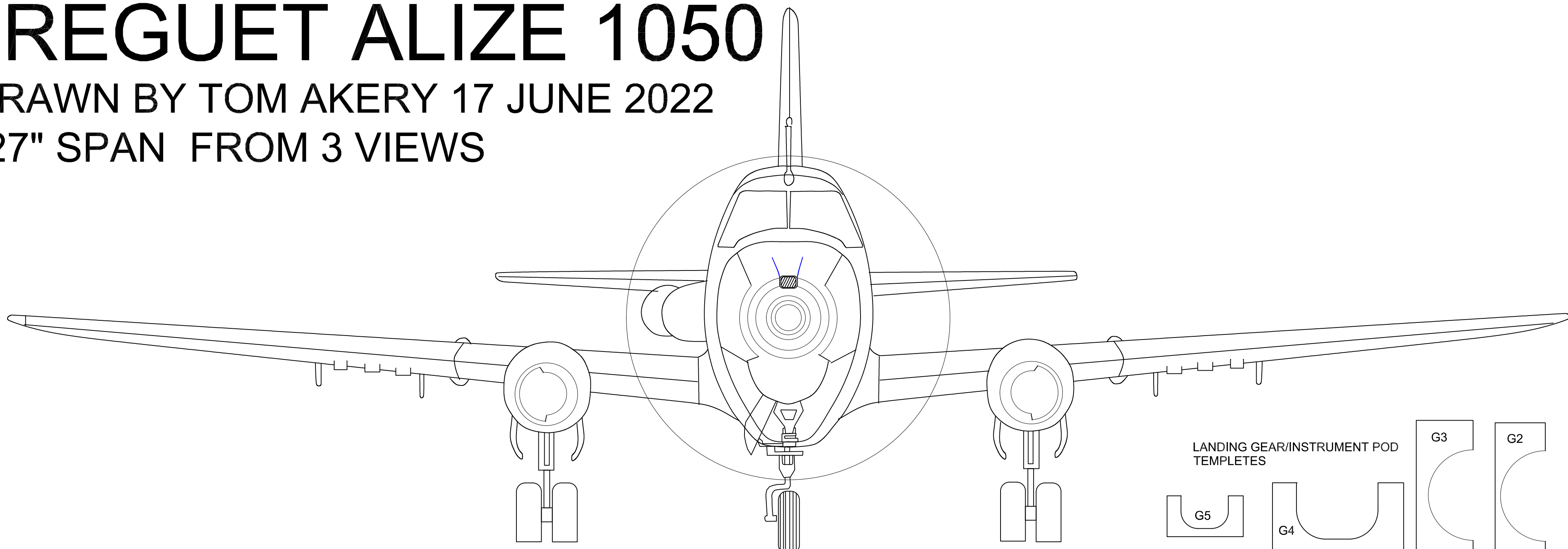


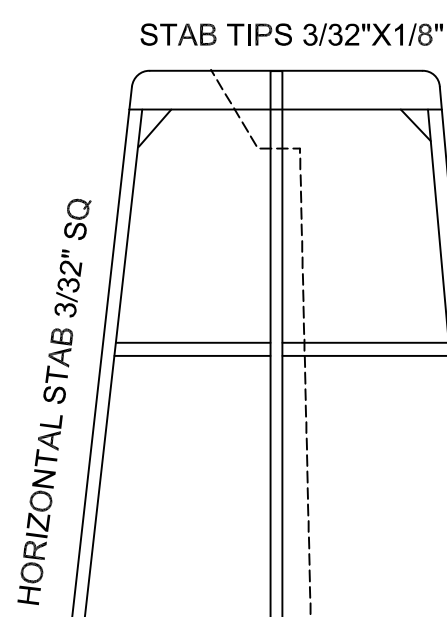
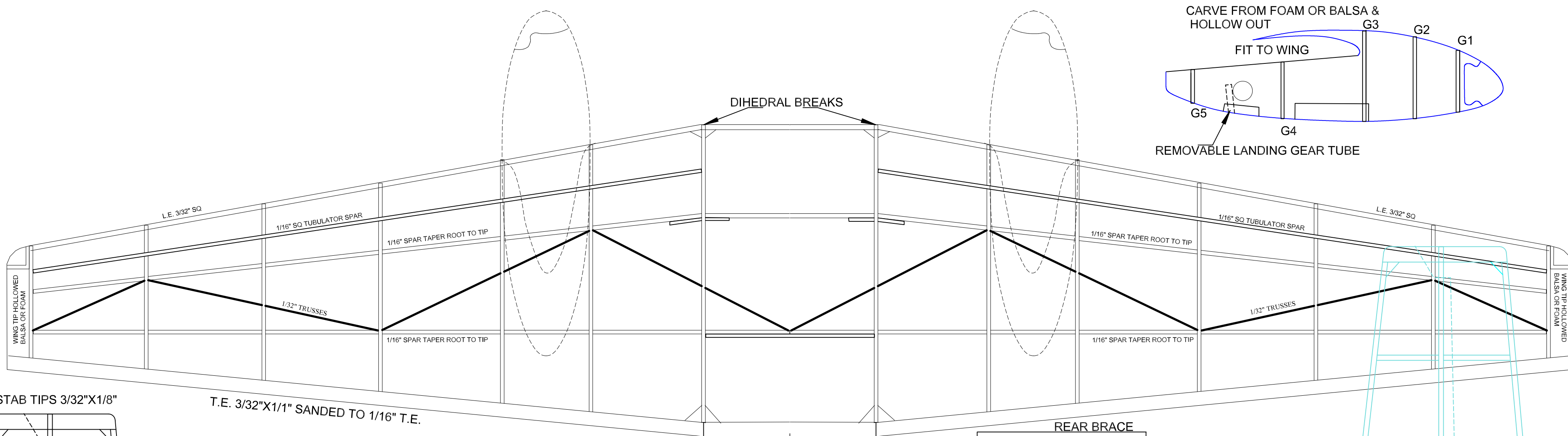
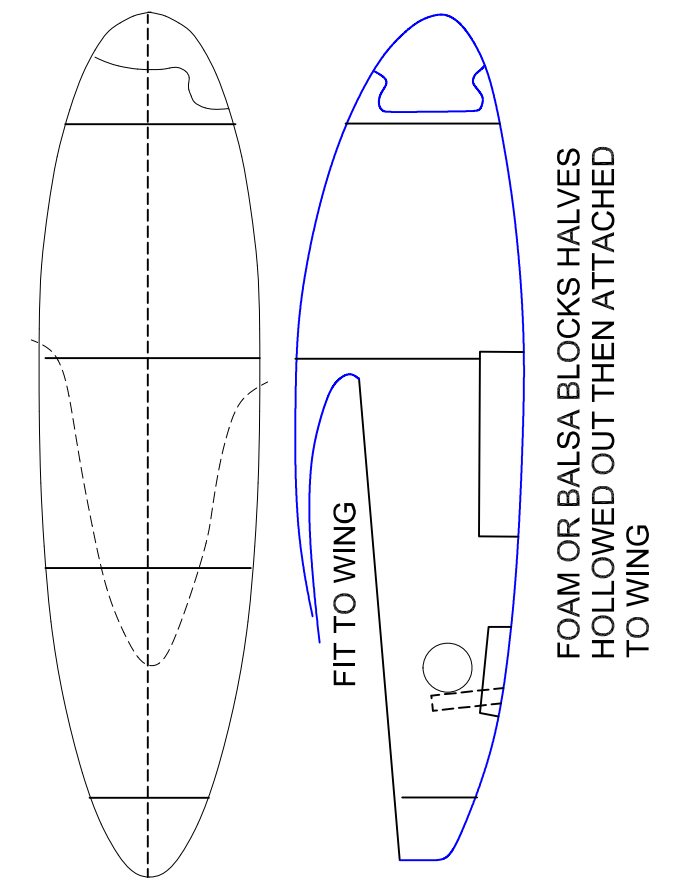
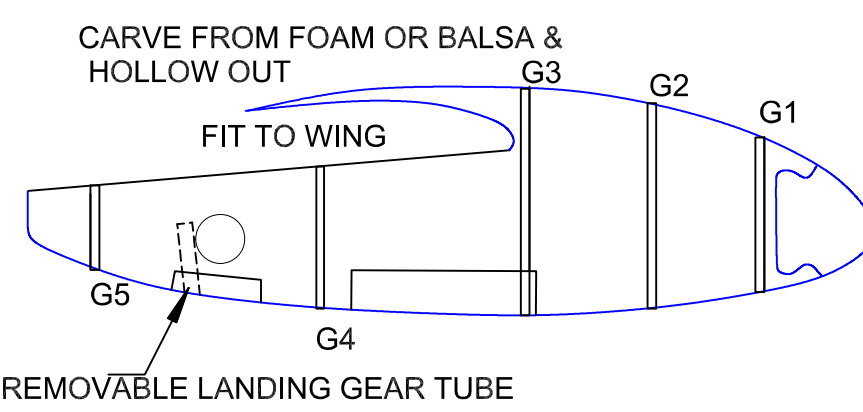
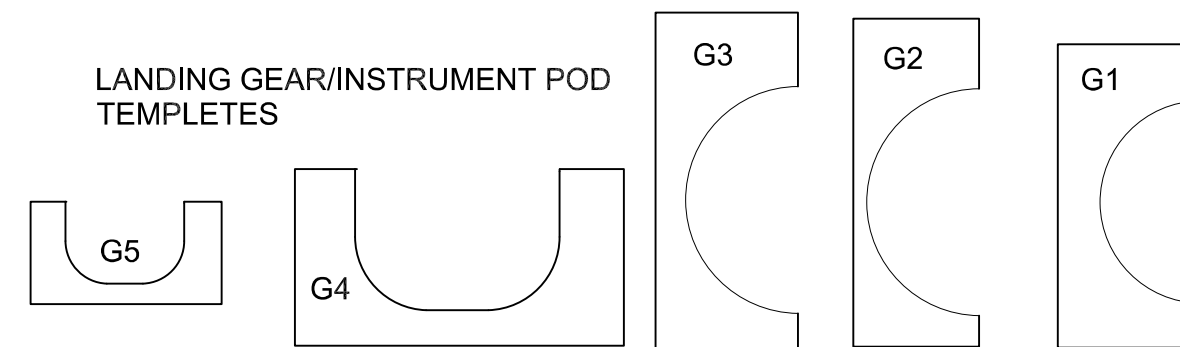
BREGUET ALIZE 1050

DRAWN BY TOM AKERY 17 JUNE 2022

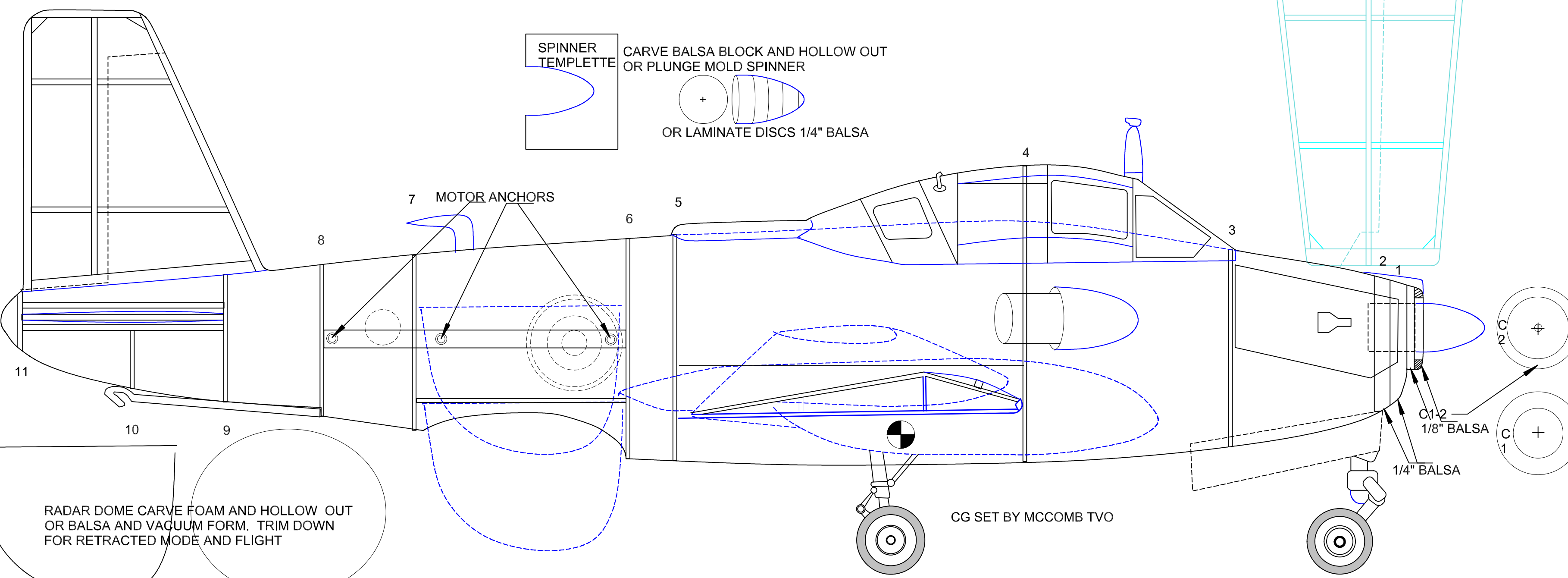
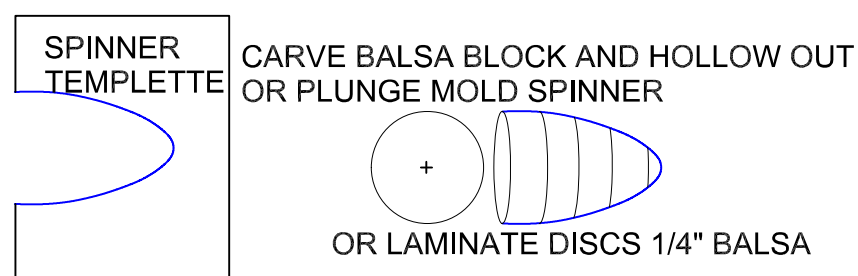
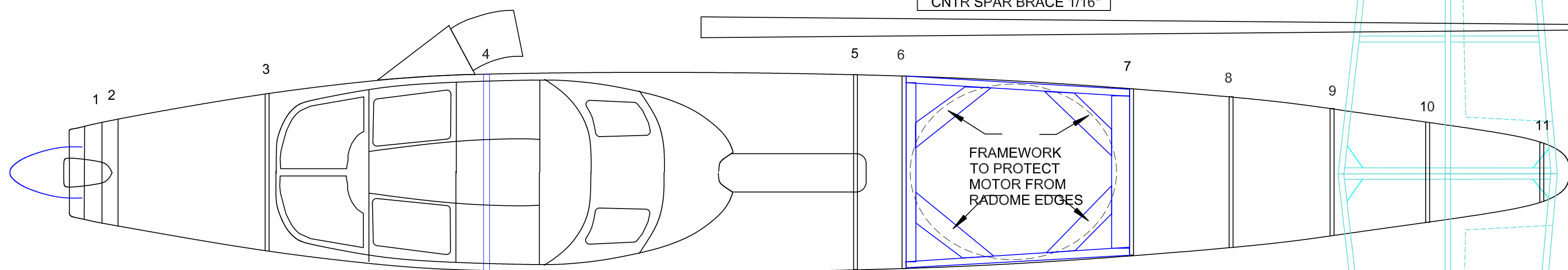
27" SPAN FROM 3 VIEWS



LANDING GEAR OPTIONAL OR REMOVABLE FOR FLIGHT



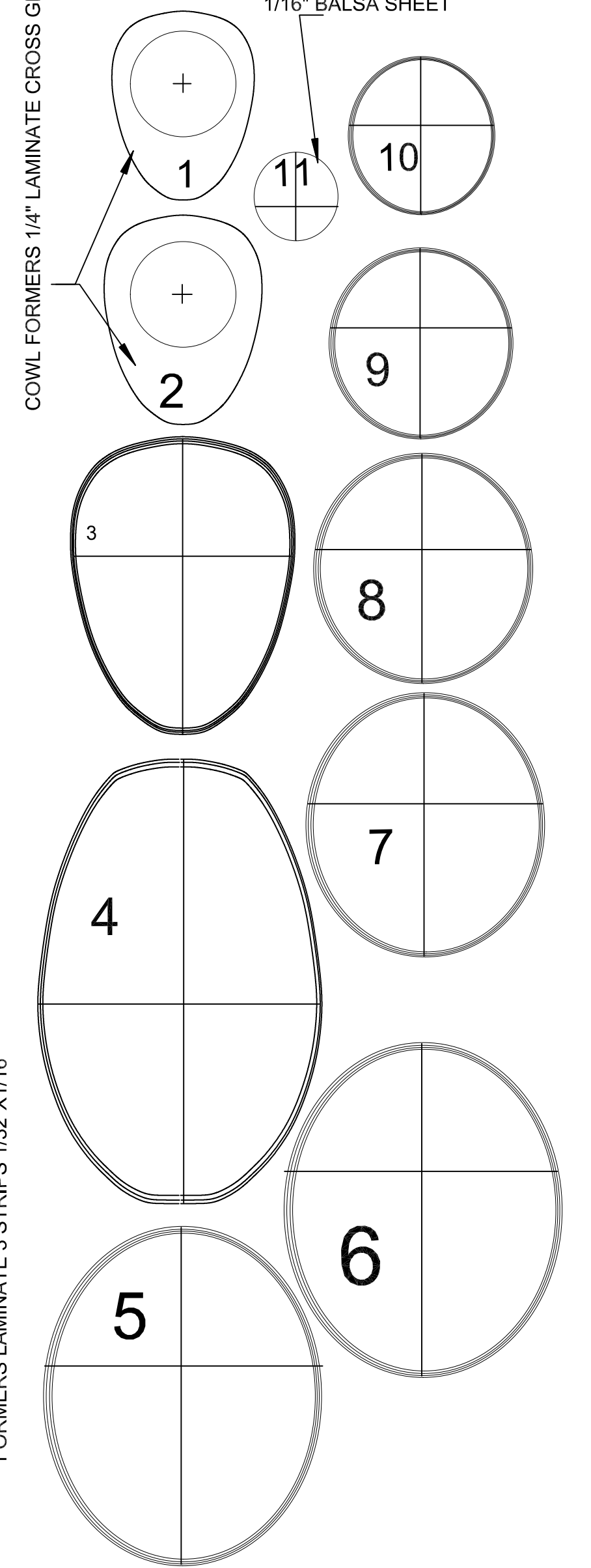
T.E. 3/32" X 1/16" SANDED TO 1/16" T.E.



RADAR DOME CARVE FOAM AND HOLLOW OUT OR Balsa AND VACUUM FORM. TRIM DOWN FOR RETRACTED MODE AND FLIGHT

COWL FORMERS 1/4" LAMINATE CROSS GRAIN

1/16" Balsa SHEET



FORMERS LAMINATE 3 STRIPS 1/32" X 1/16"