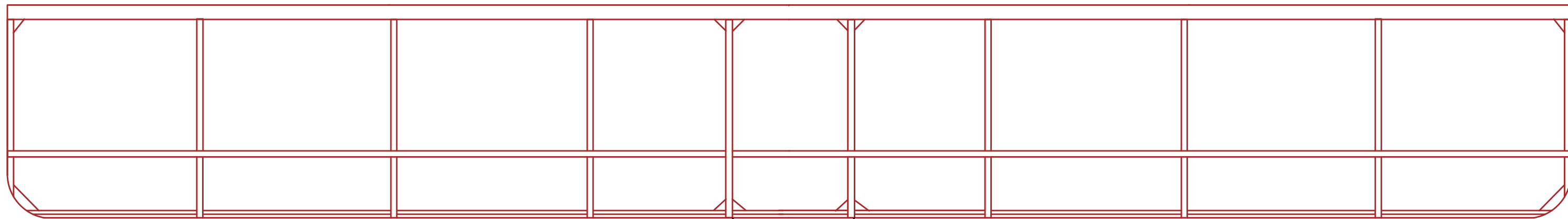


T.E. 1/16X1/8



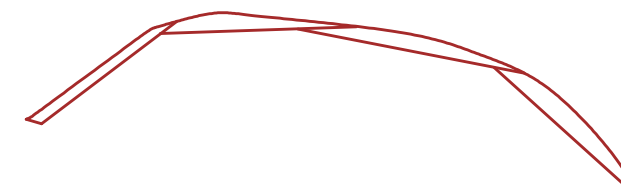
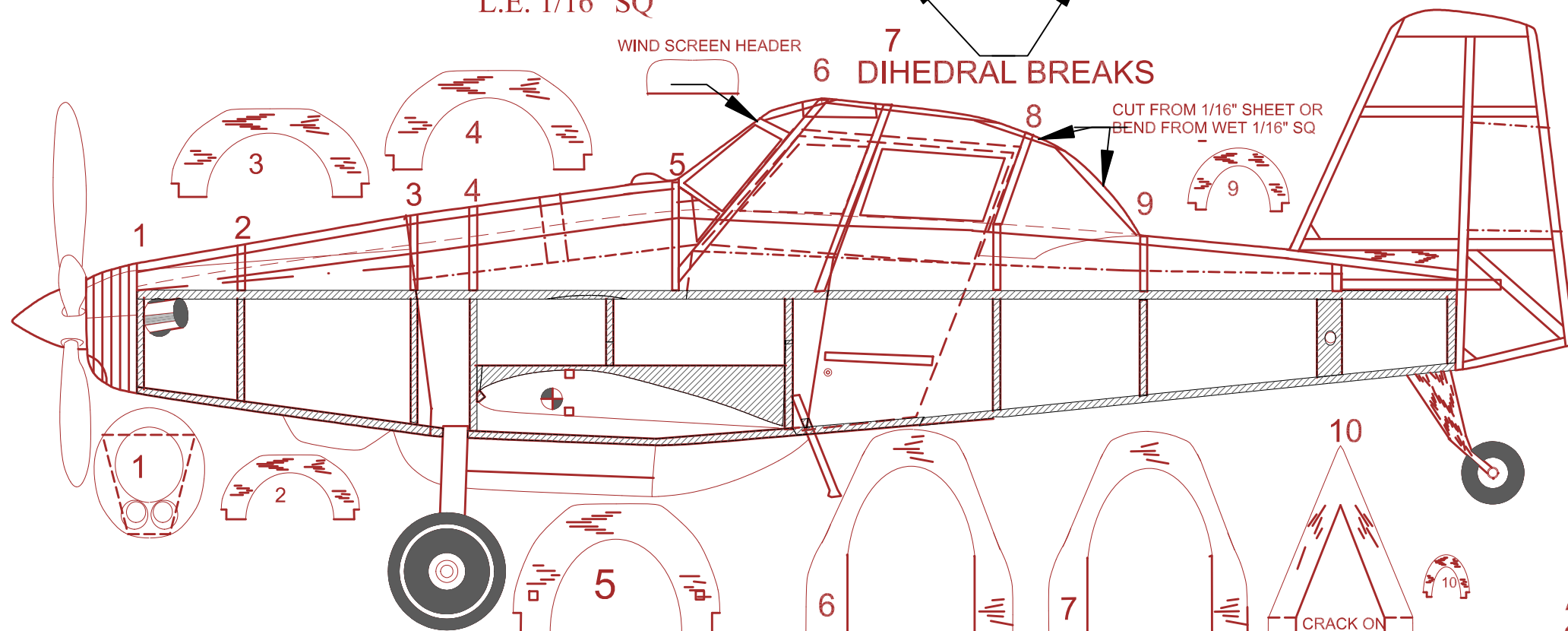
L.E. 1/16" SQ

WIND SCREEN HEADER

7 DIHEDRAL BREAKS

CUT FROM 1/16" SHEET OR BEND FROM WET 1/16" SQ

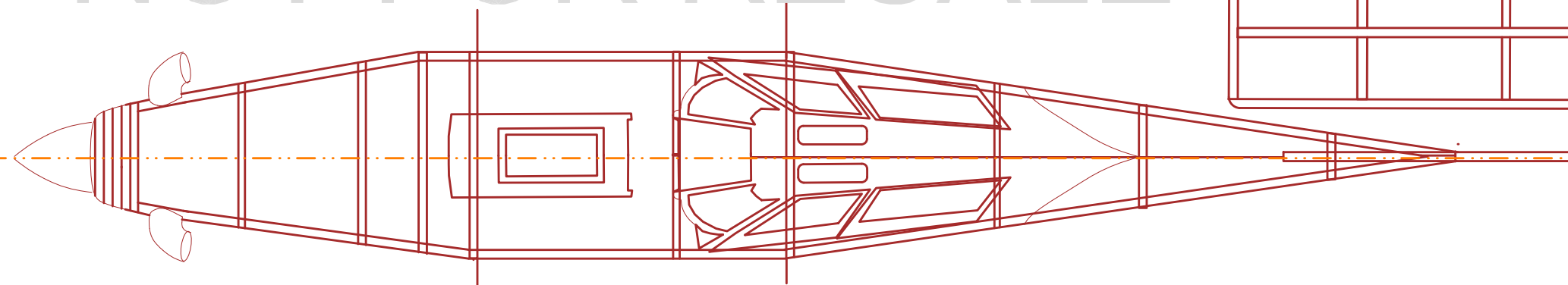
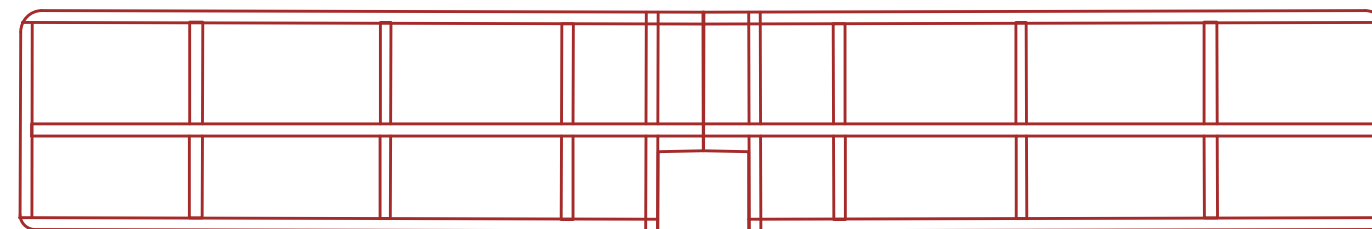
DIHEDRAL 1.5" AT TIP



ALL CONSTRUCTION FROM 1/16" SQ OR 1/16" SHEET

CRACK ON DOTTED LINE

NOT FOR RESALE



PSEUDO-DIME SCALE 16" SPAN

AIR TRACTOR AT-802F
DRAWN BY TOM AKERY 27 OCT 2017
FREE ONE TIME USE TO
MEMBERS OF S&T, HPA & SFA