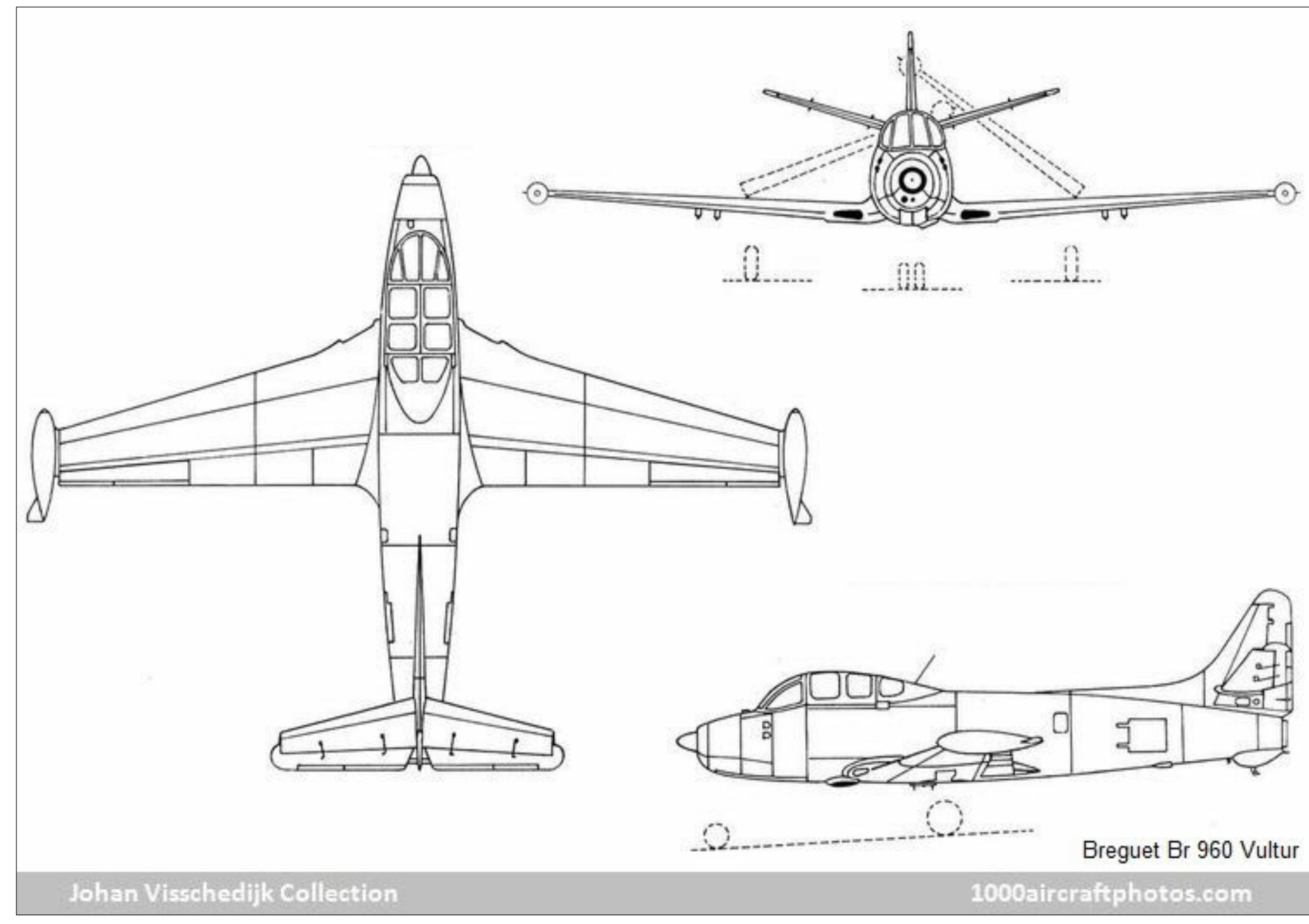
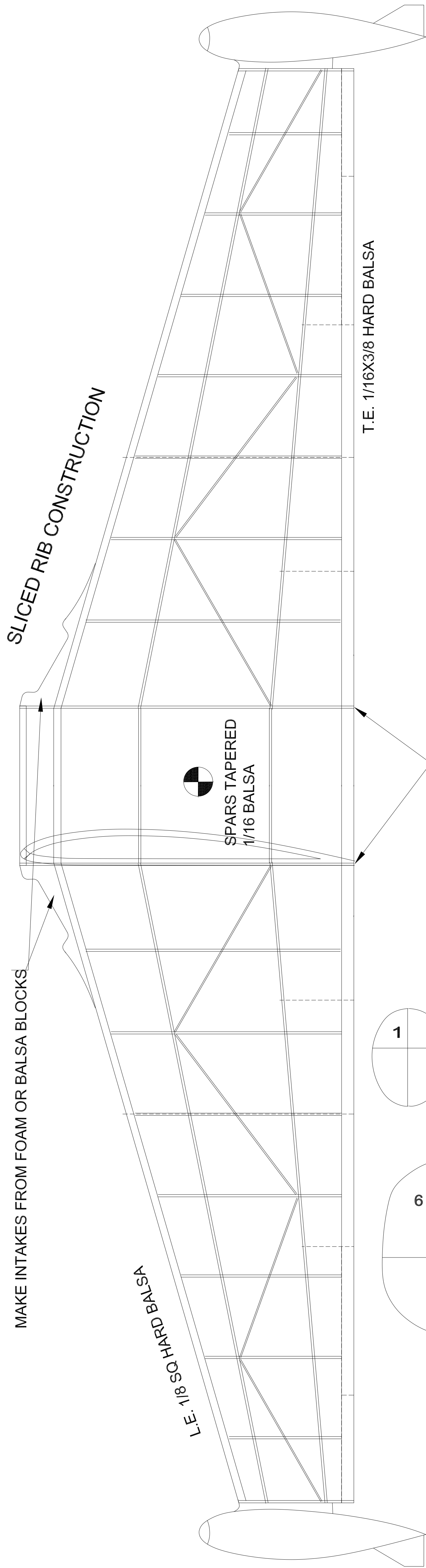


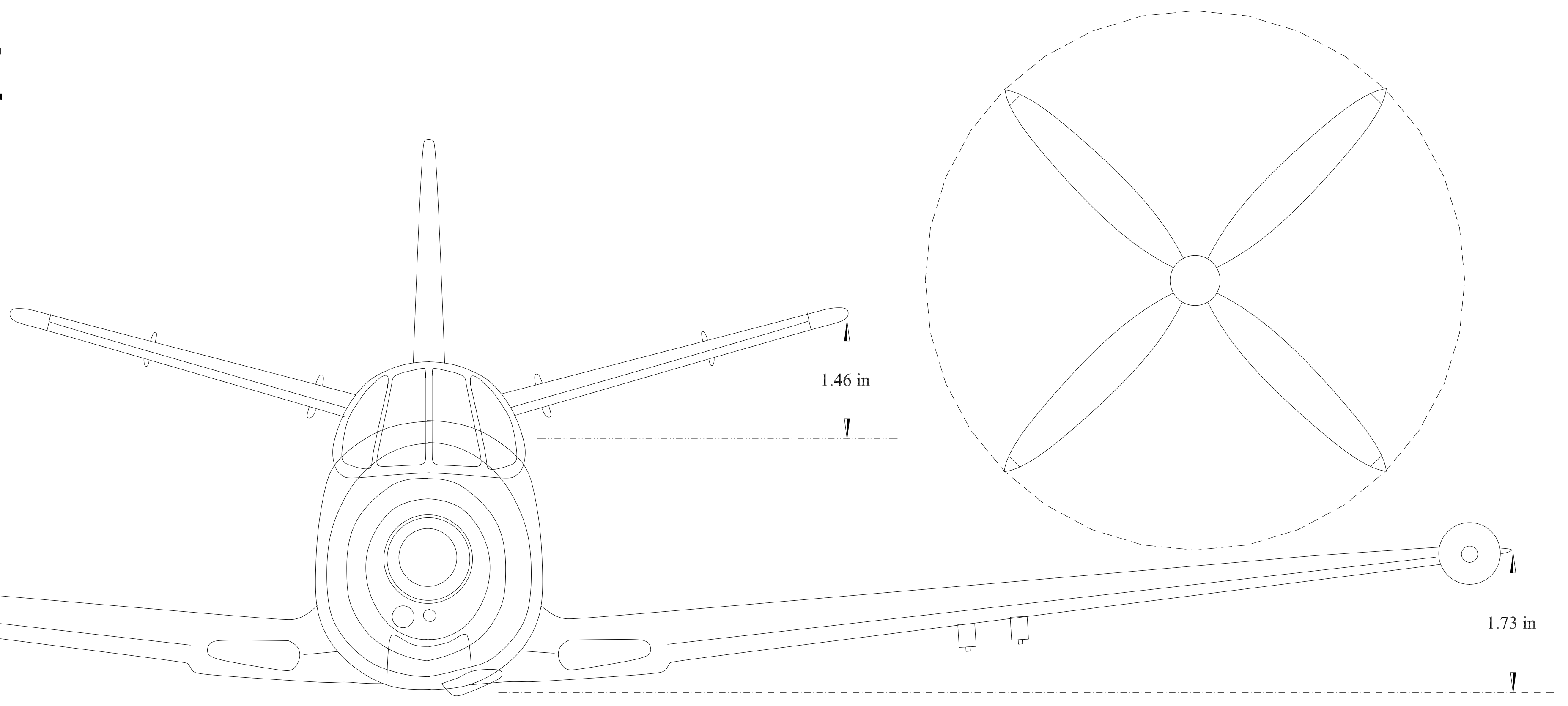
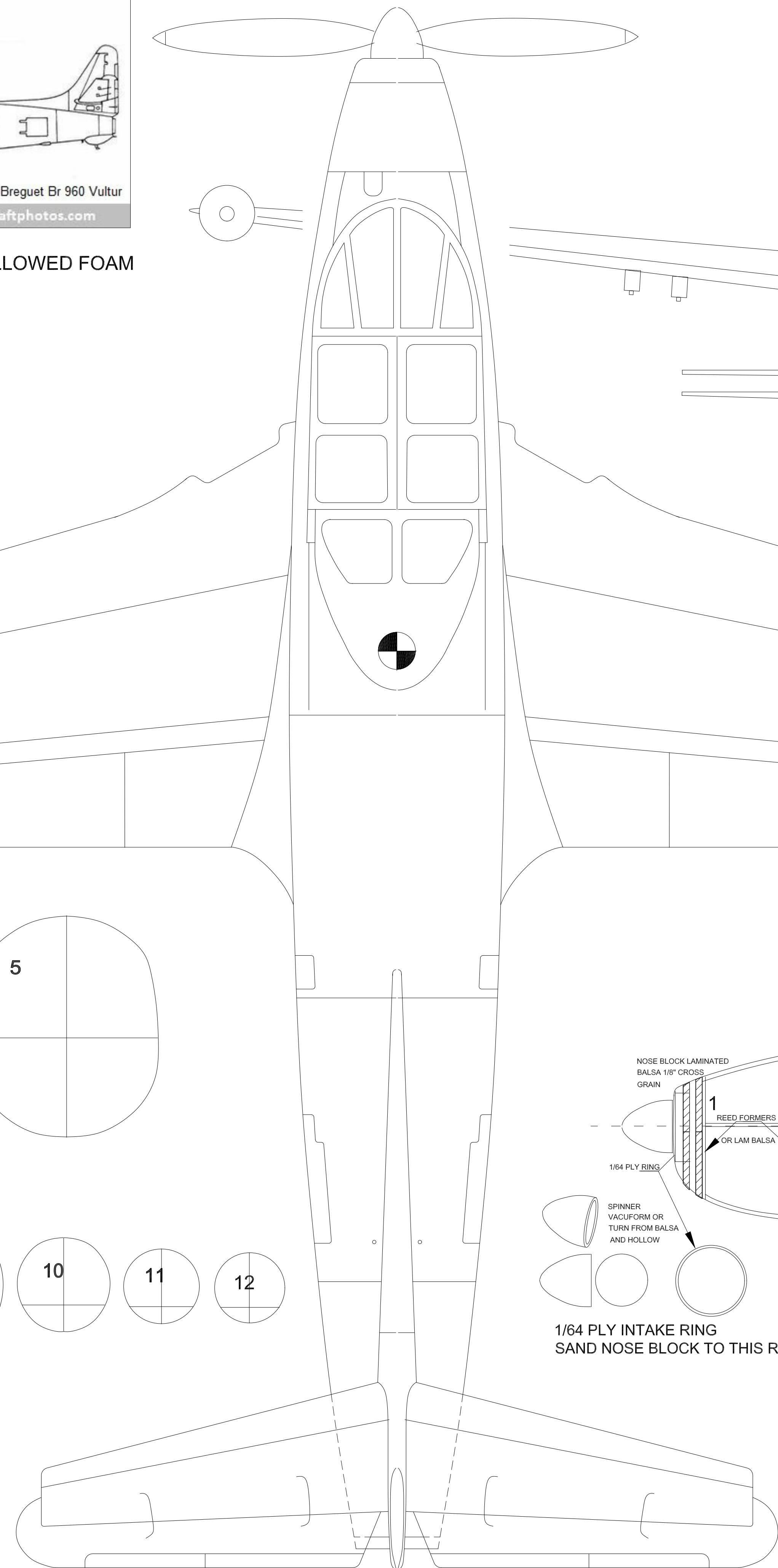
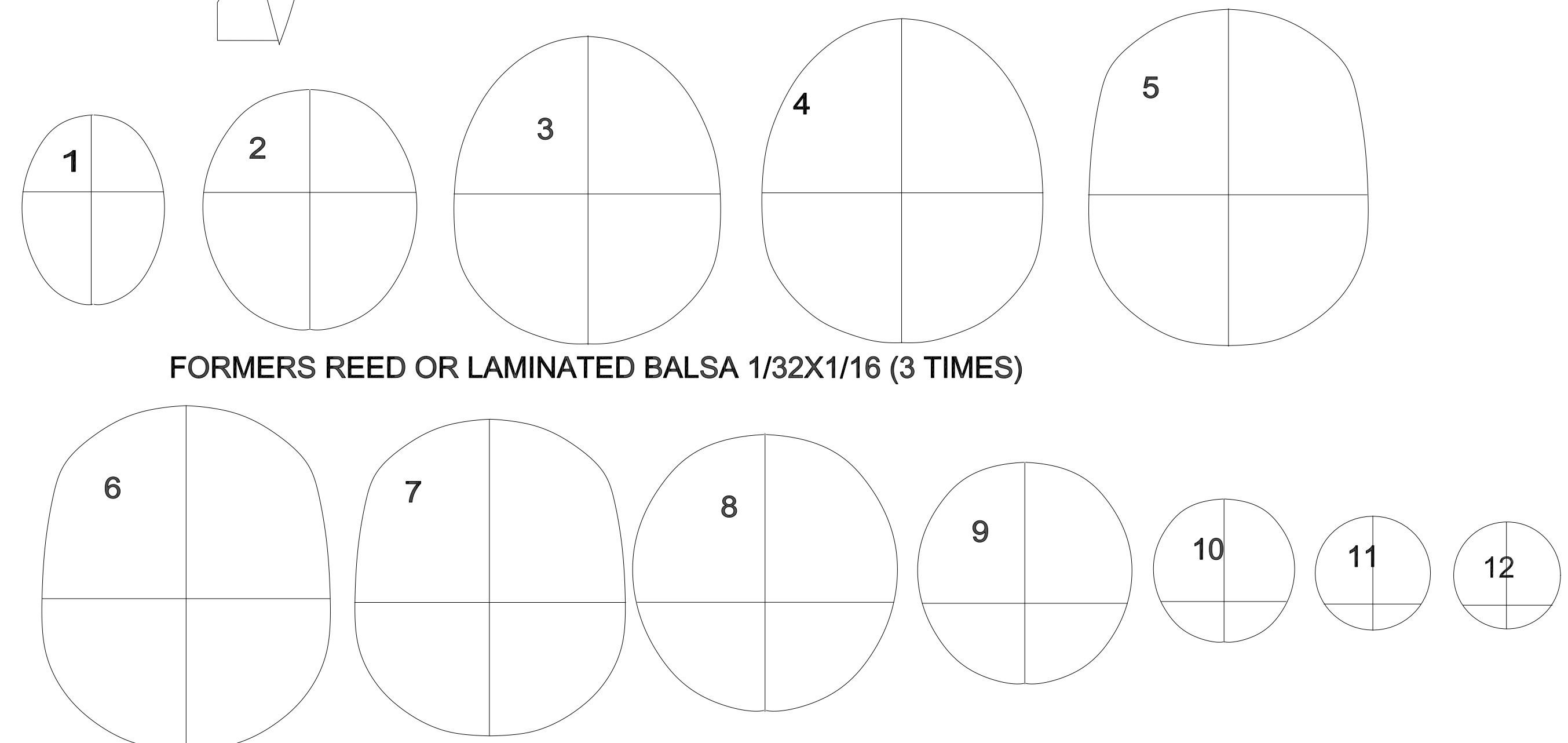
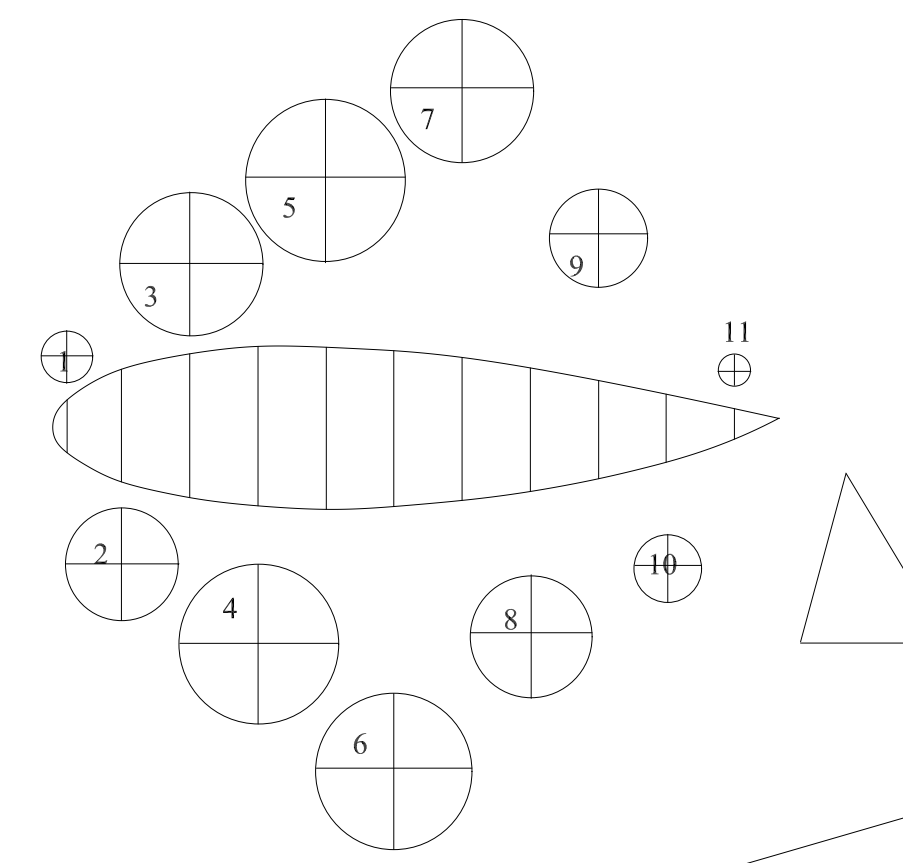
NOT FOR RESALE



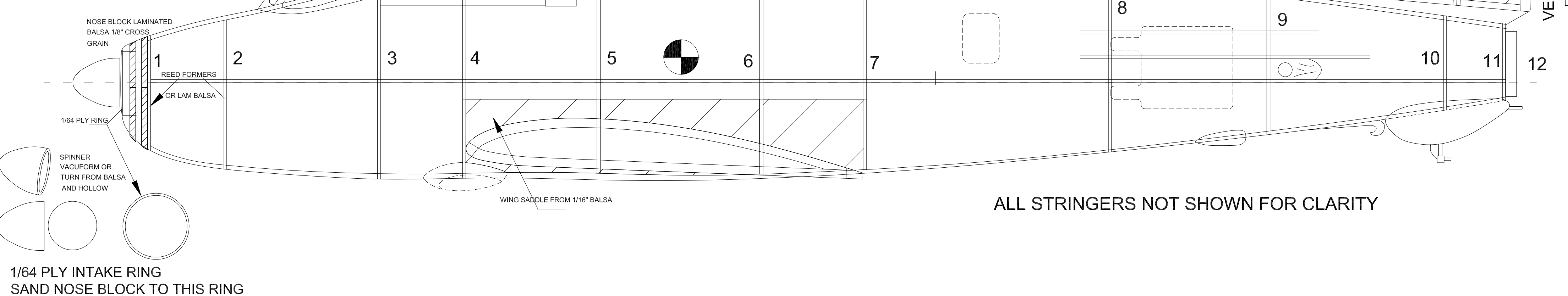
TIP TANK FROM REED FORMERS OR CARVED AND HOLLOWED FOAM



DIHEDRAL BREAKS



HORIZONTAL STAB ENLARGED 25% FROM 3/32 SQ SAND TO AIRFOIL



ALL STRINGERS NOT SHOWN FOR CLARITY

### Breguet 960 Vultur

27" SPAN FREE FLIGHT RUBBER POWER

DRAWN BY TOM AKERY 27 DEC 2014

NOT FOR RESALE FREE TO STICK & TISSUE & HIP POCKET AERONAUTICS MEMBERS