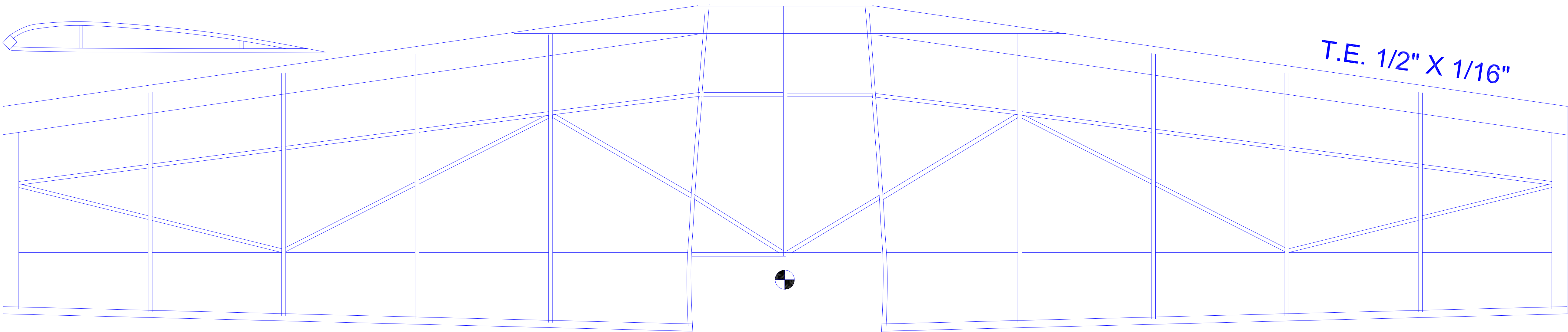


T.E. 1/2" X 1/16"



L.E. 1/8" SQ

SLICED RIBS 1/16" SQ CLARK "Y" AIRFOIL

1 2

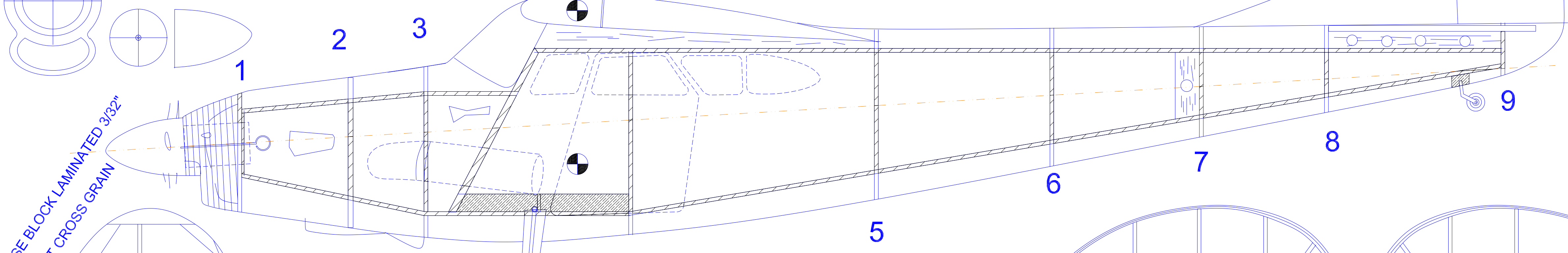
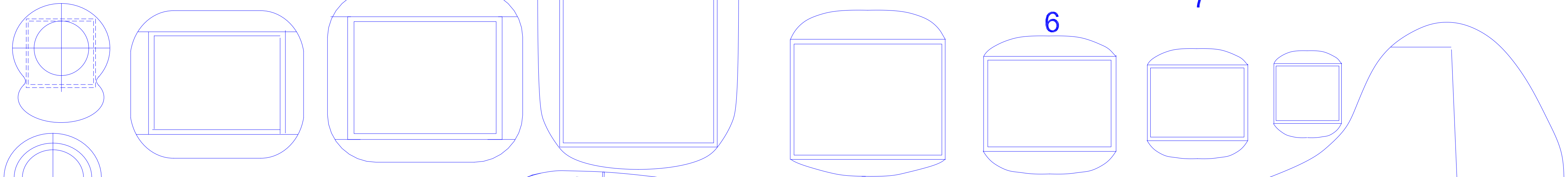
3

4

5

6

7



Nose Block Laminated 3/32" SHEET CROSS GRAIN

CESSNA 195 TURBO  
27" SPAN DESIGNED/DRAWN BY TOM AKERY  
FREE USE FOR MEMBERS OF S&T, HPA & SFA

