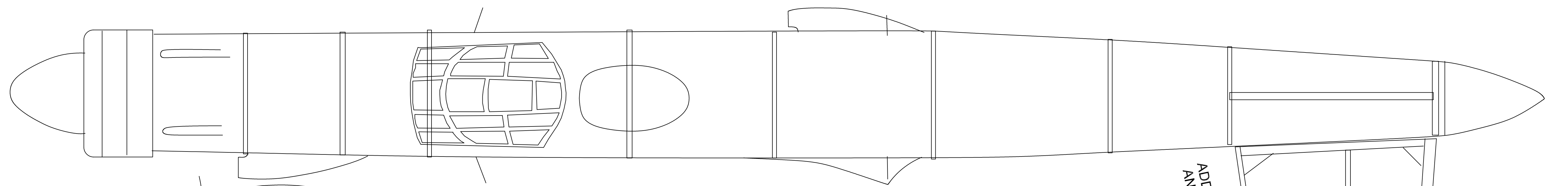
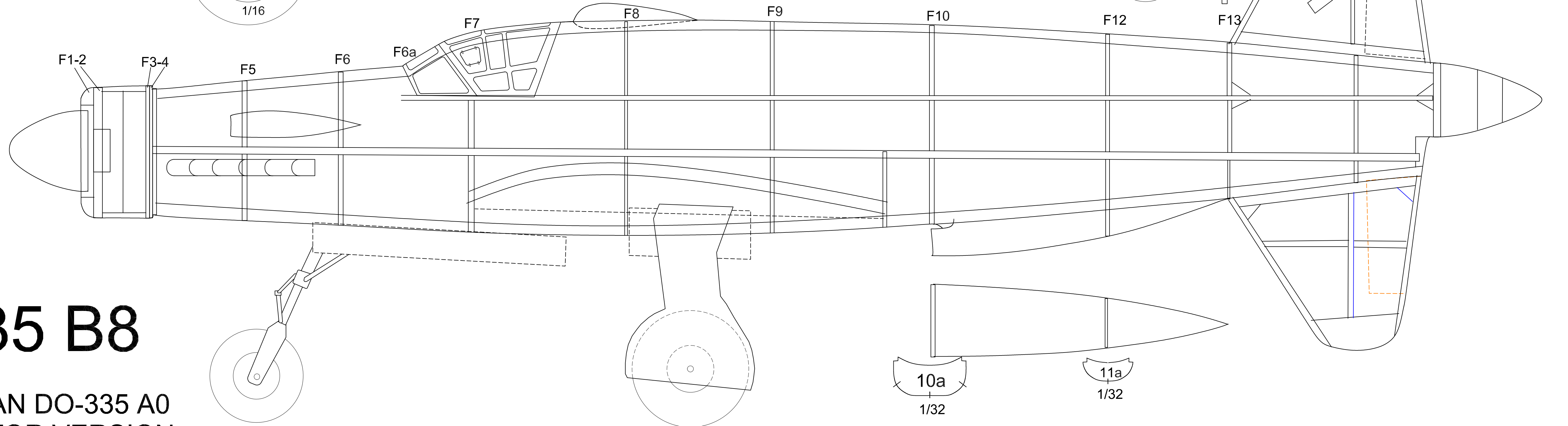
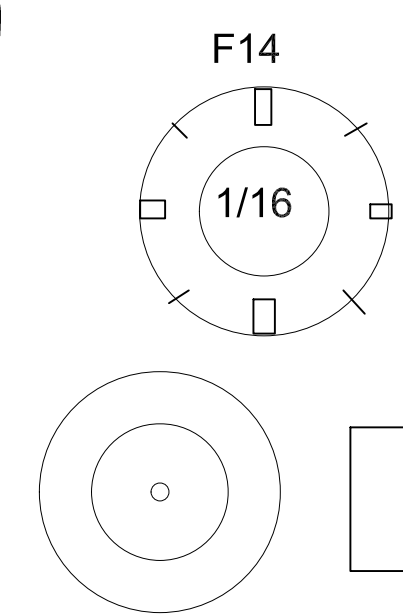
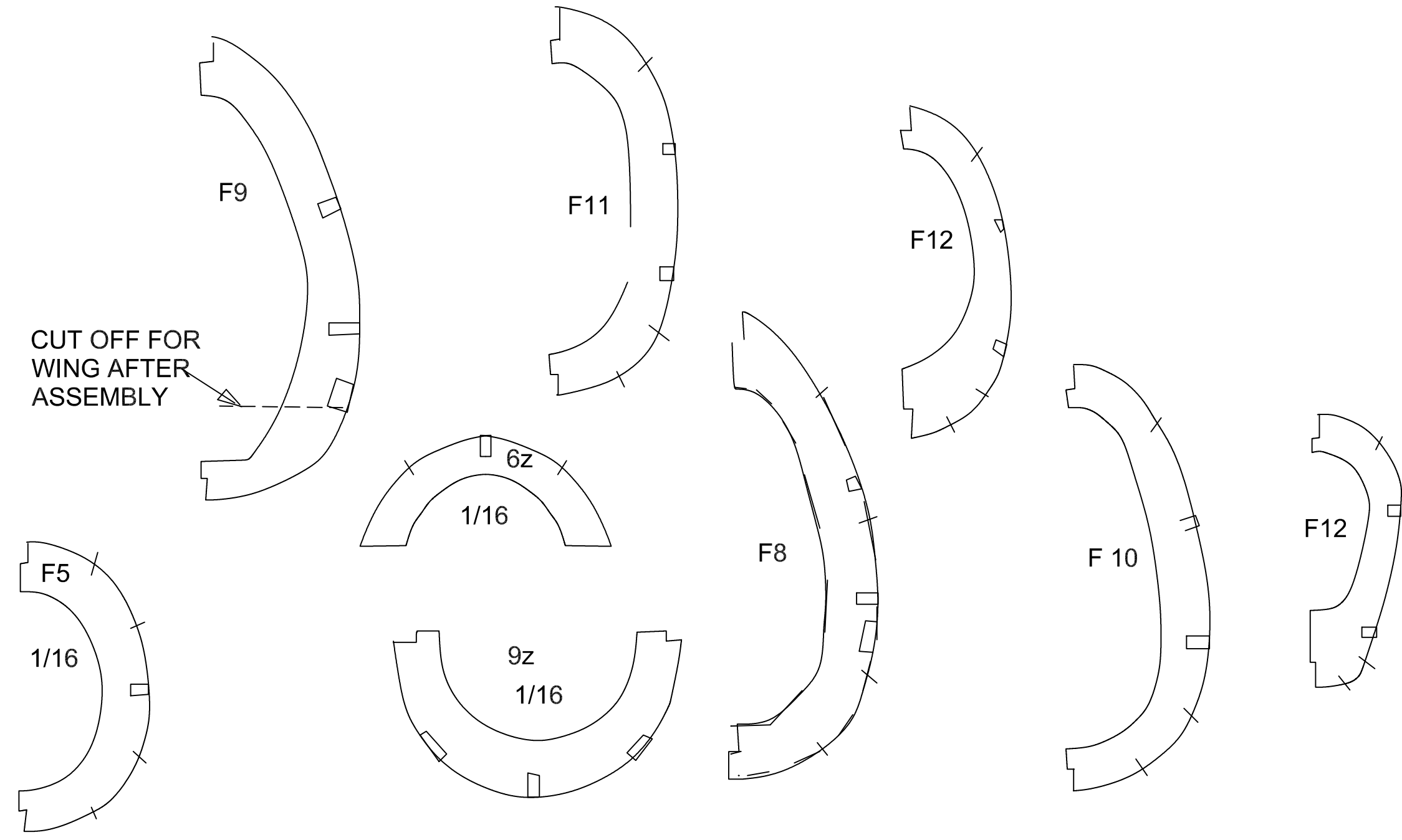
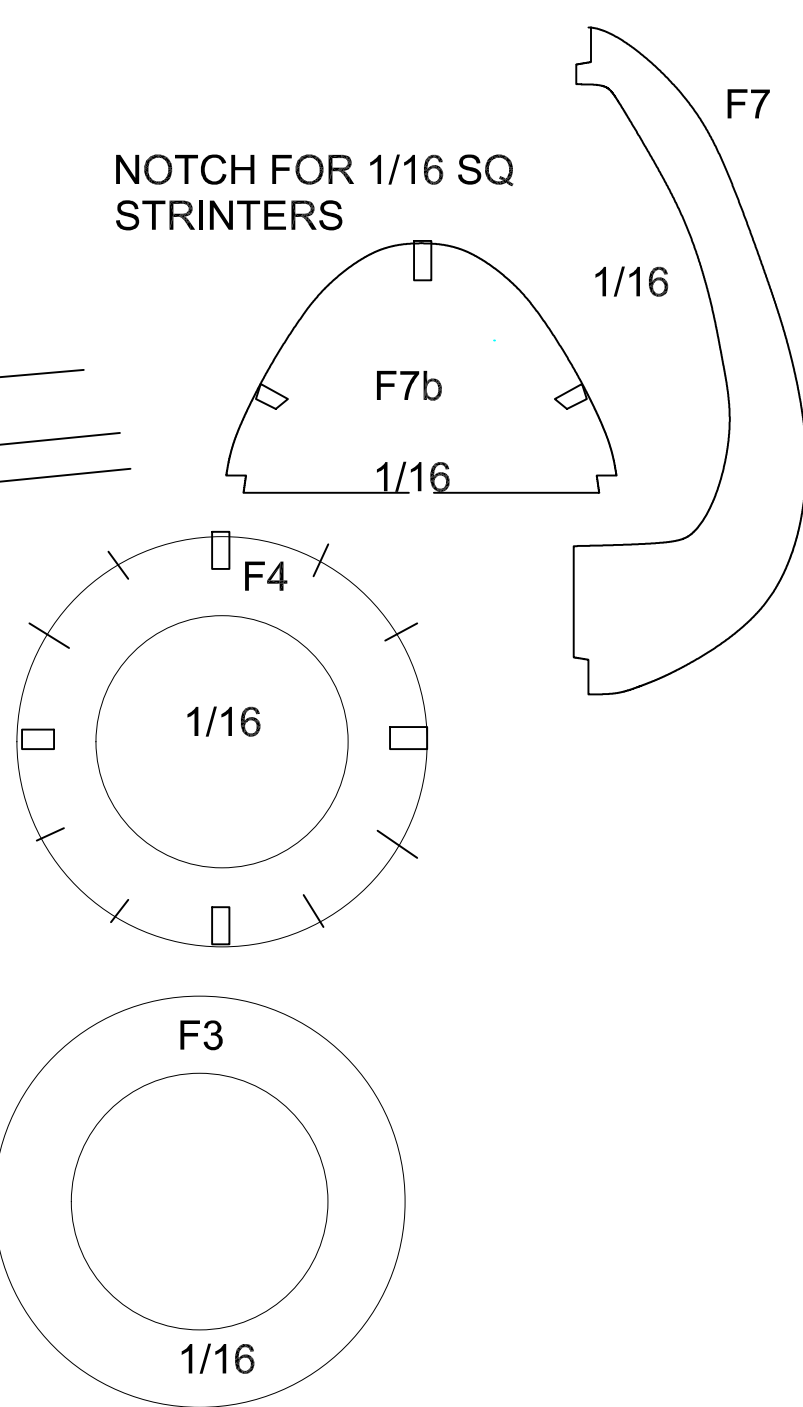
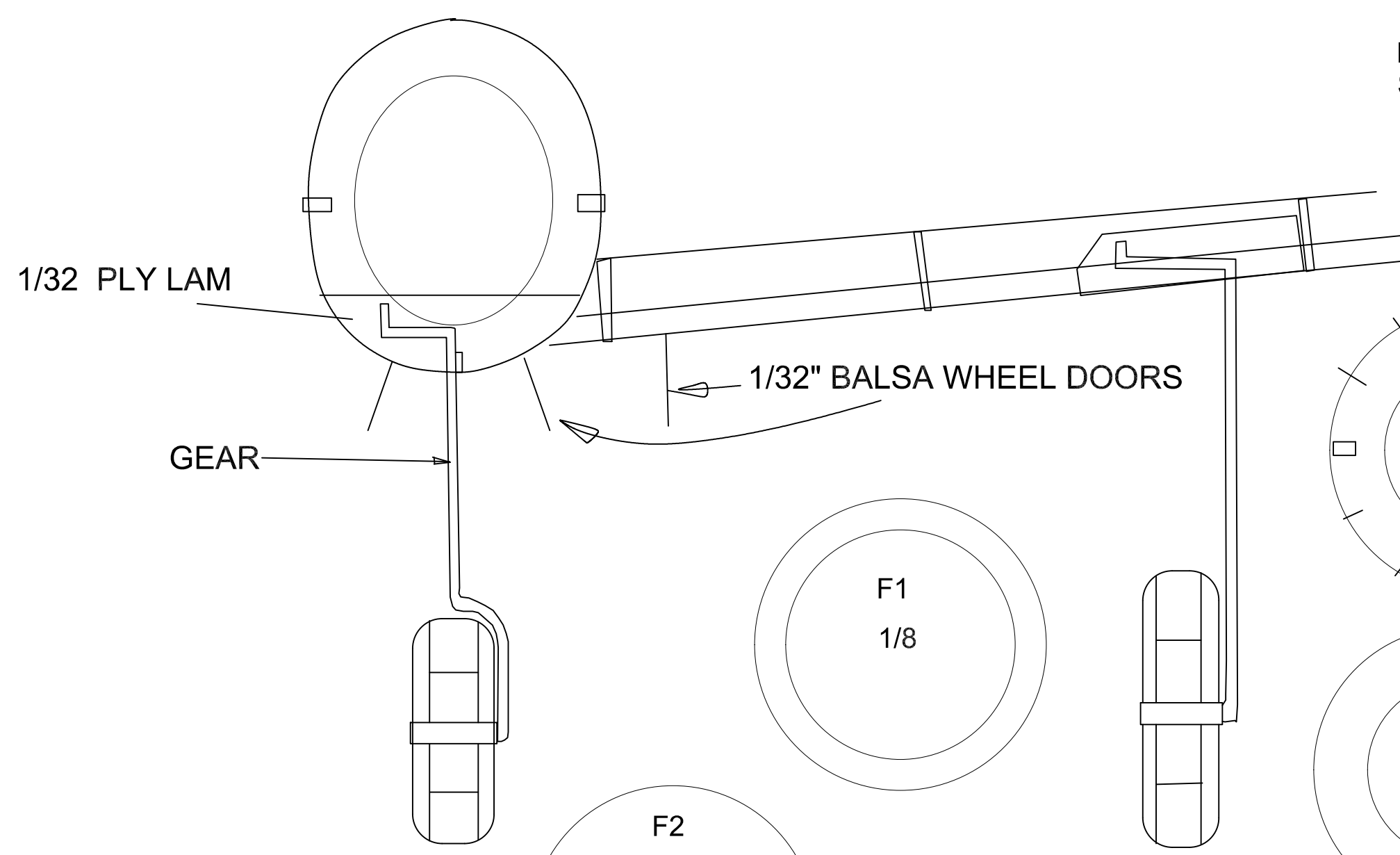


VACUUM FORMED
OR Balsa
SPINNERS



ADD 3/32" SQ STRIP OVER STAB RIBS TOP & BOTTOM
AND SAND TO AIRFOIL SHAPE



DORNIER DO-335 B8

REDRAWN DON SRULL PLAN 18" SPAN DO-335 A0 TO A 36" SPAN B8 NIGHT INTERCEPTOR VERSION BY TOM AKERY 27 MAY 2014