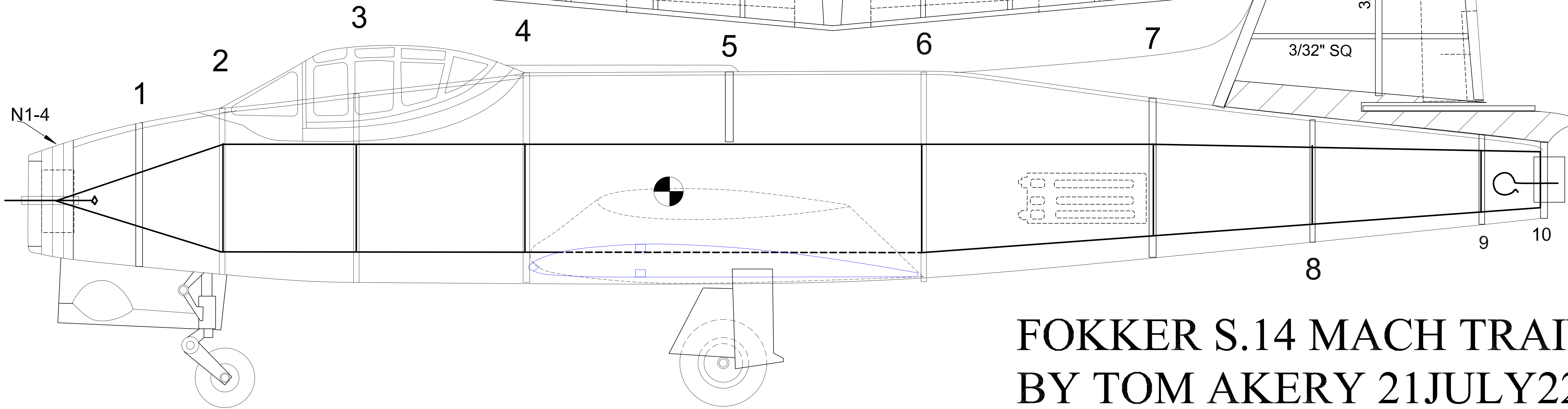
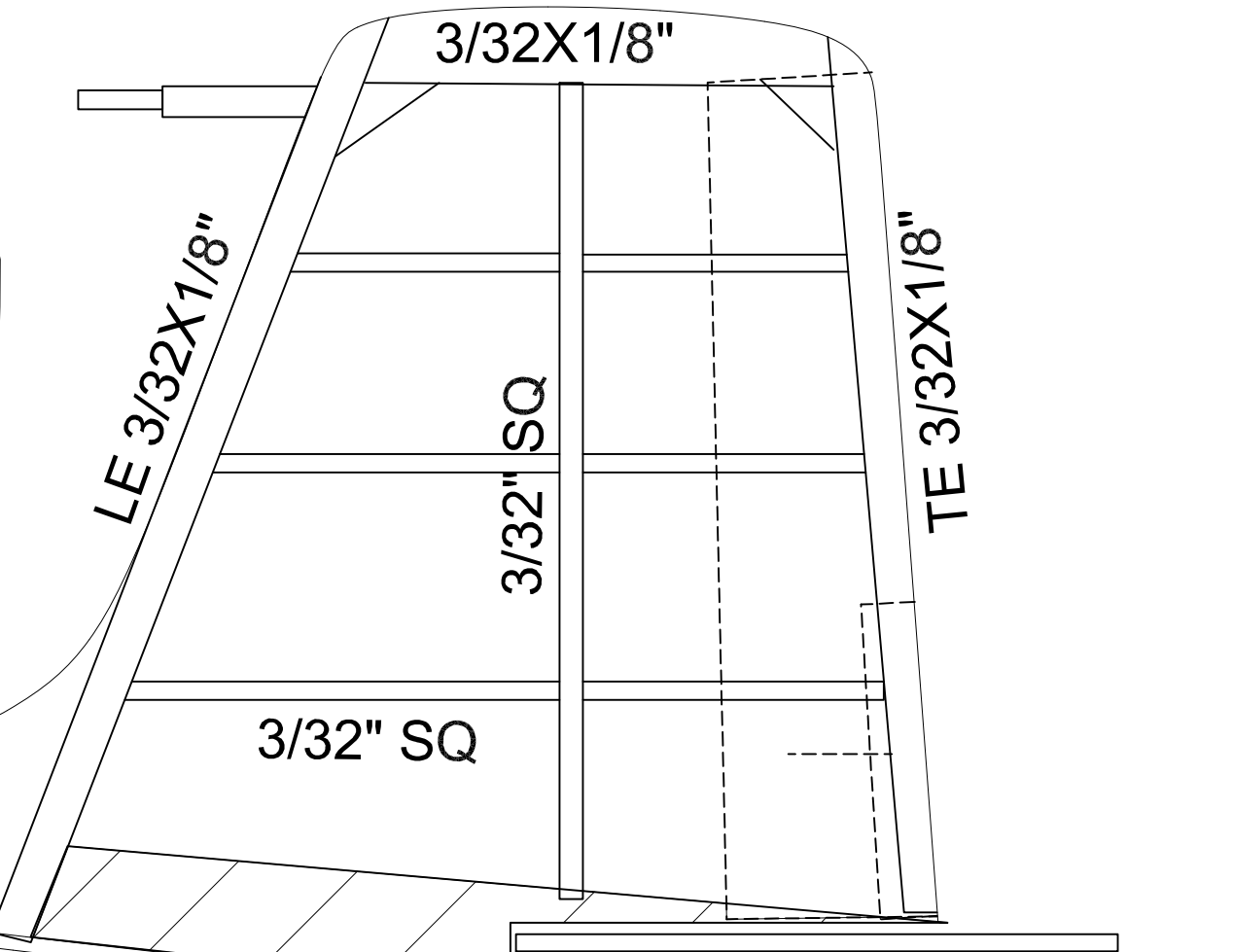
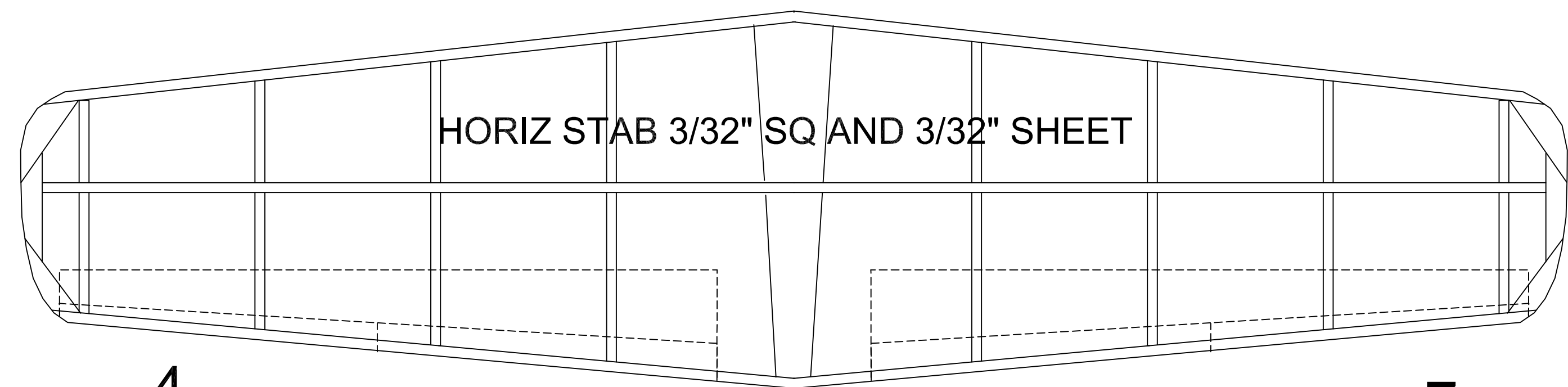
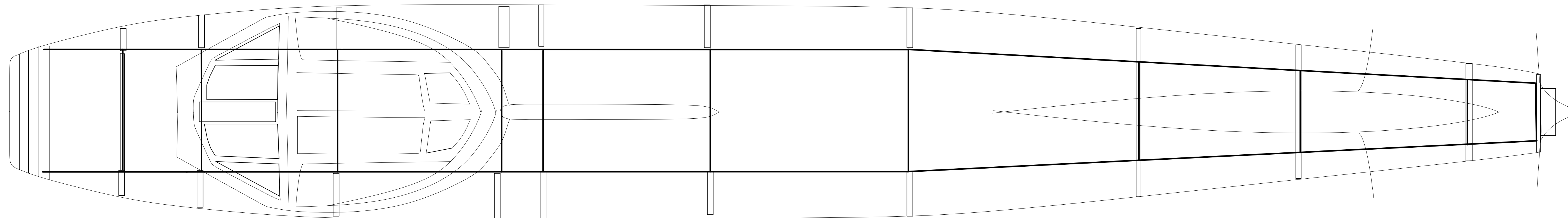
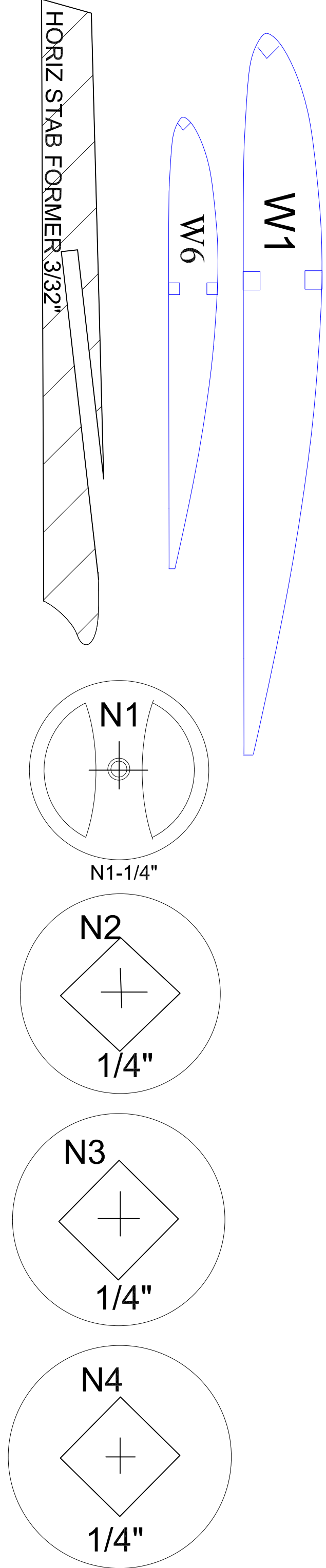
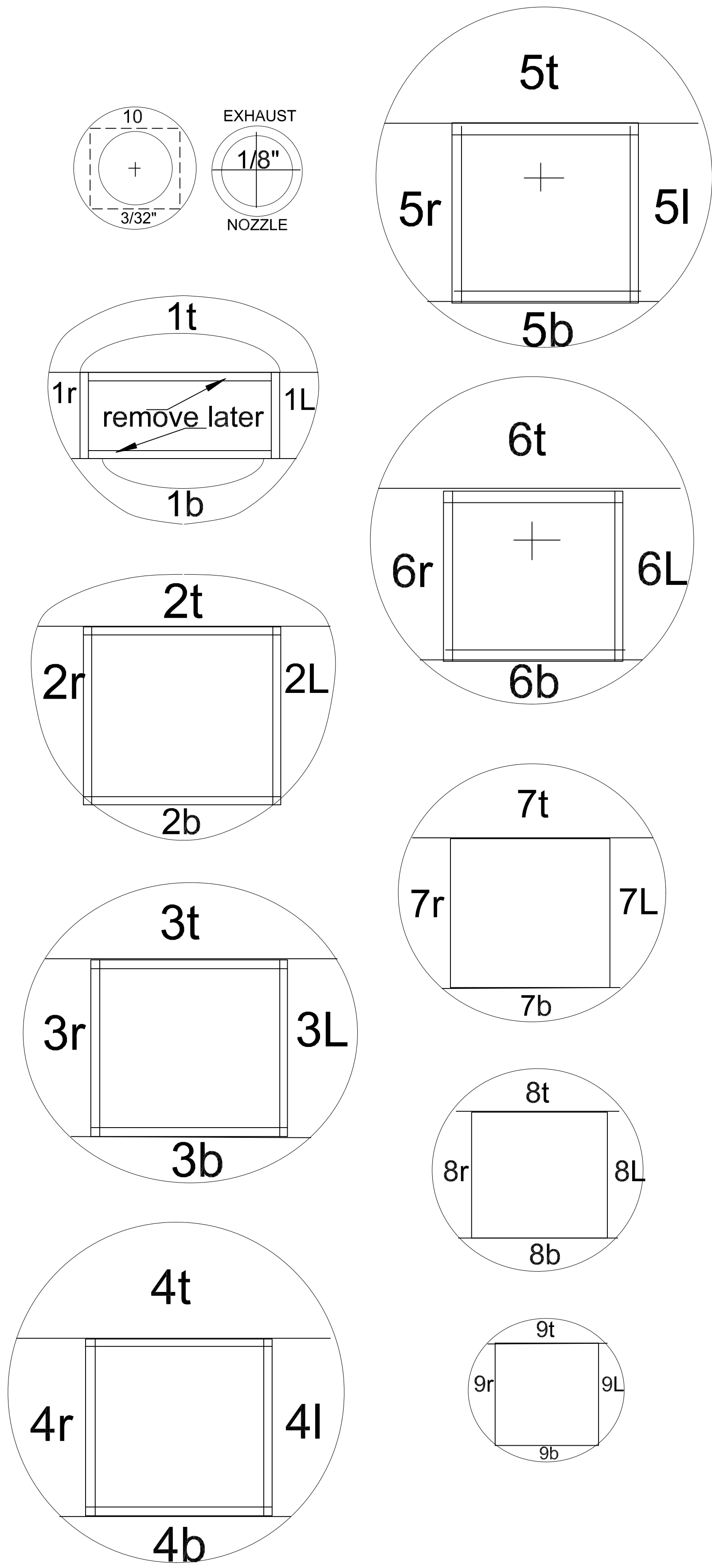


TIPS FROM SOFT BALSA



FORMERS FROM 1/16" SHEET



FOKKER S.14 MACH TRAINER 27" SPAN  
BY TOM AKERY 21JULY22