

REES SLICED/MOLDED 1/16" SQ WING RIBS PATTERNS

FRONT AND REAR SPARS 1/16"  
MAKE TWO EACH OF SPARS 1/16" SHEET

TIP TANK MAKE FROM MOLDED FOAM MEAT PLATE

TIP TANK FAIRING TO WING

MAKE FROM FOAM OR SHAPED Balsa  
LE 1/8" SQ HARD Balsa

LE 1/8" SQ

1/16" SQ SLICED RIBS REES STYLE

SPAR HARD 1/16" SHEET

DIAGONALS MADE OF 1/32" SHEET

TE 1/16X1/2" SHEET

RIBS 1/32X1/8

LAMINATE VERTICAL STAB 1/8X1/32

MAKE PAPER FAIRING FROM FUSELAGE TO WING TRIAL FIT

STRINGERS LEFT OFF FOR CLARITY

1/16" SQ STRINGERS

MAKE TWO 1/32 HARD Balsa

NOSE HOLLOWED Balsa BLOCK

UPPER COCKPIT FORMER 1/16"

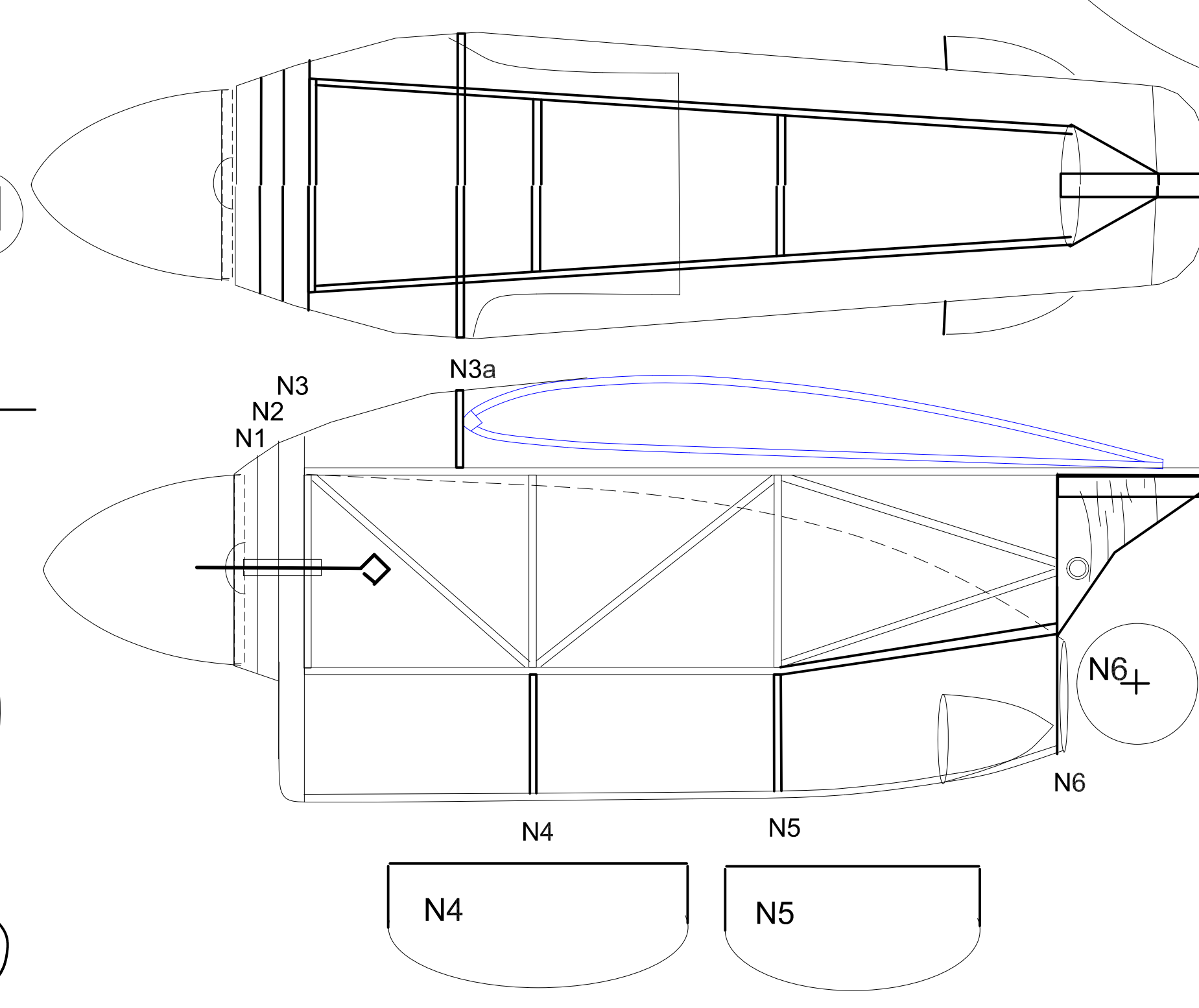
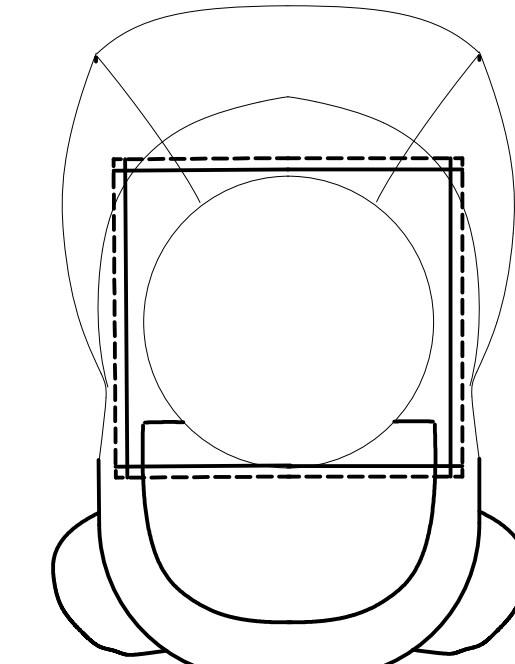
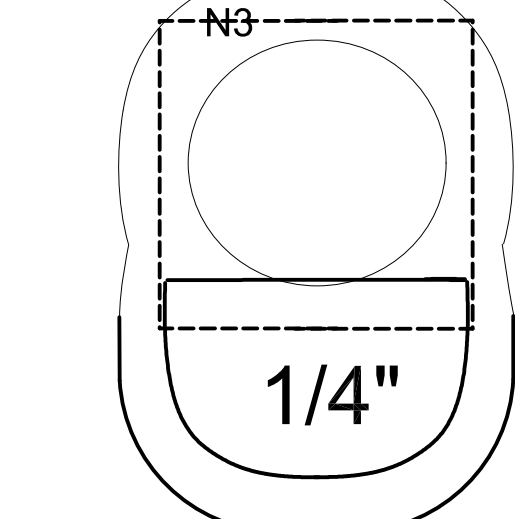
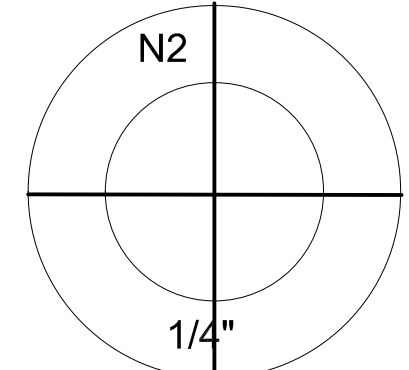
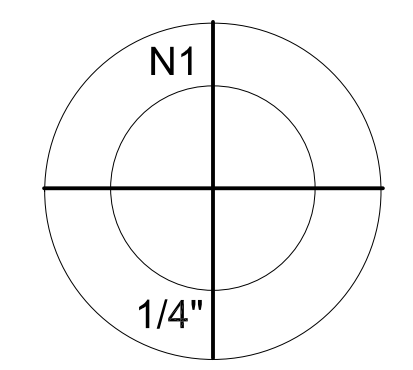
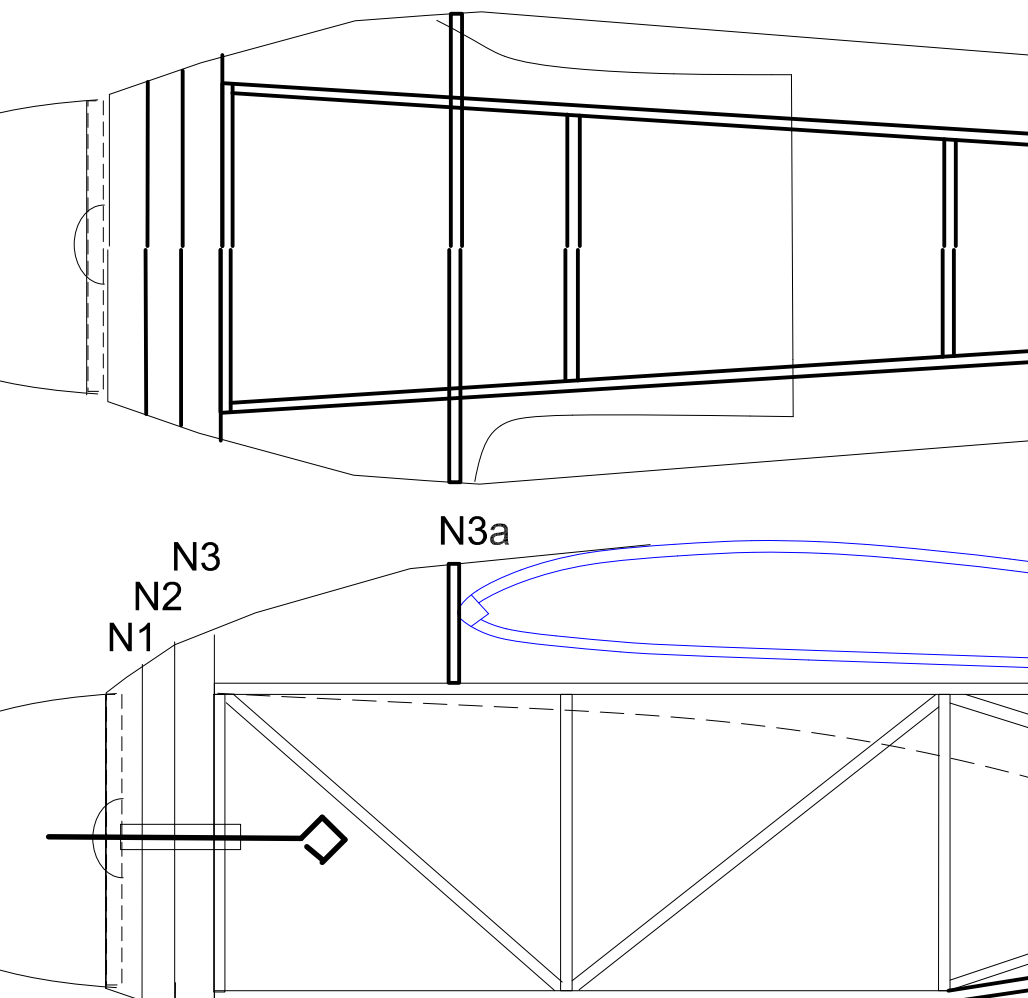
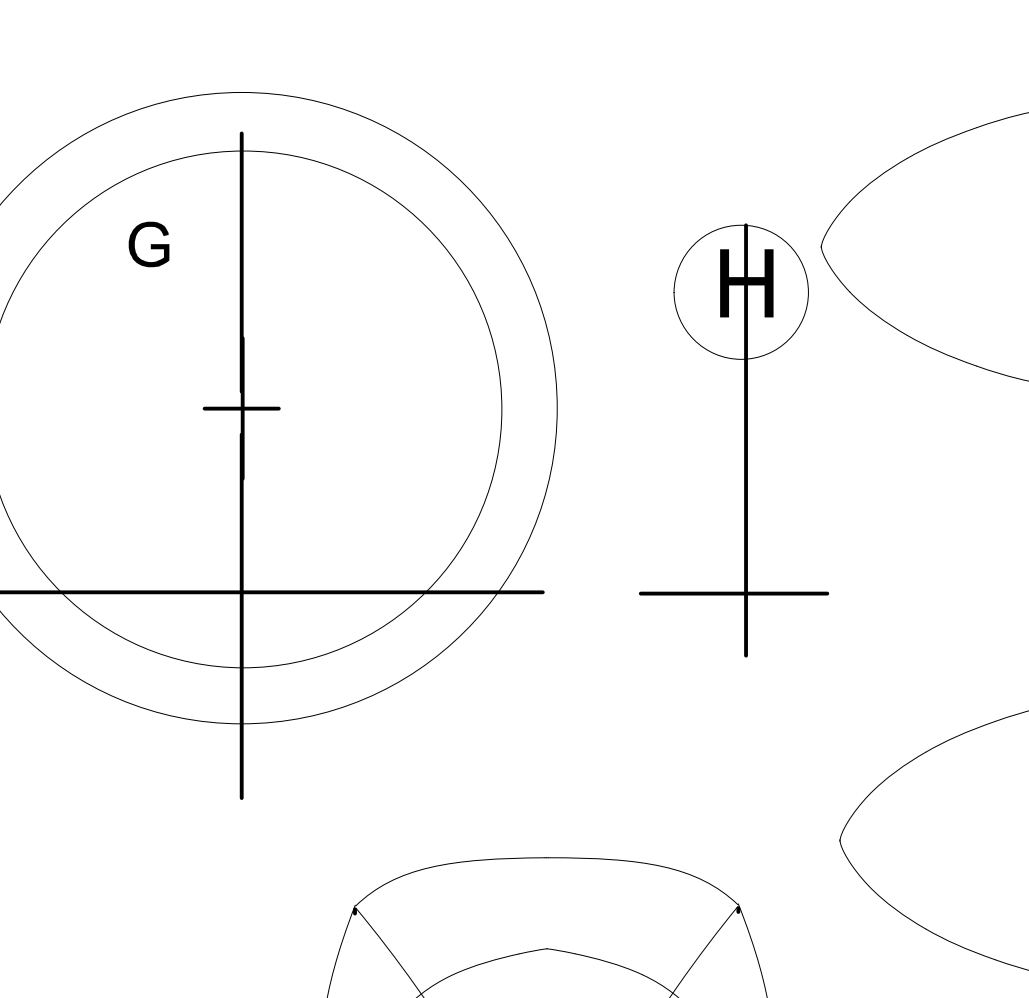
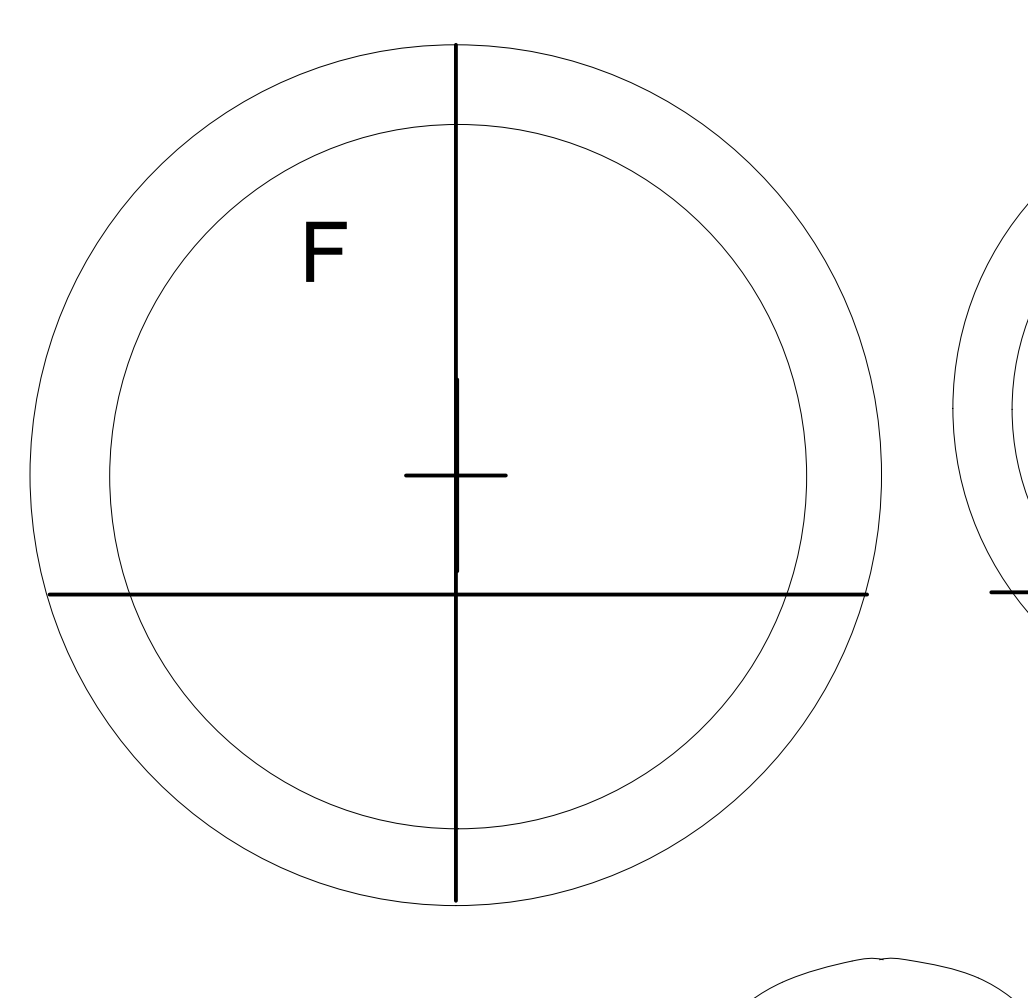
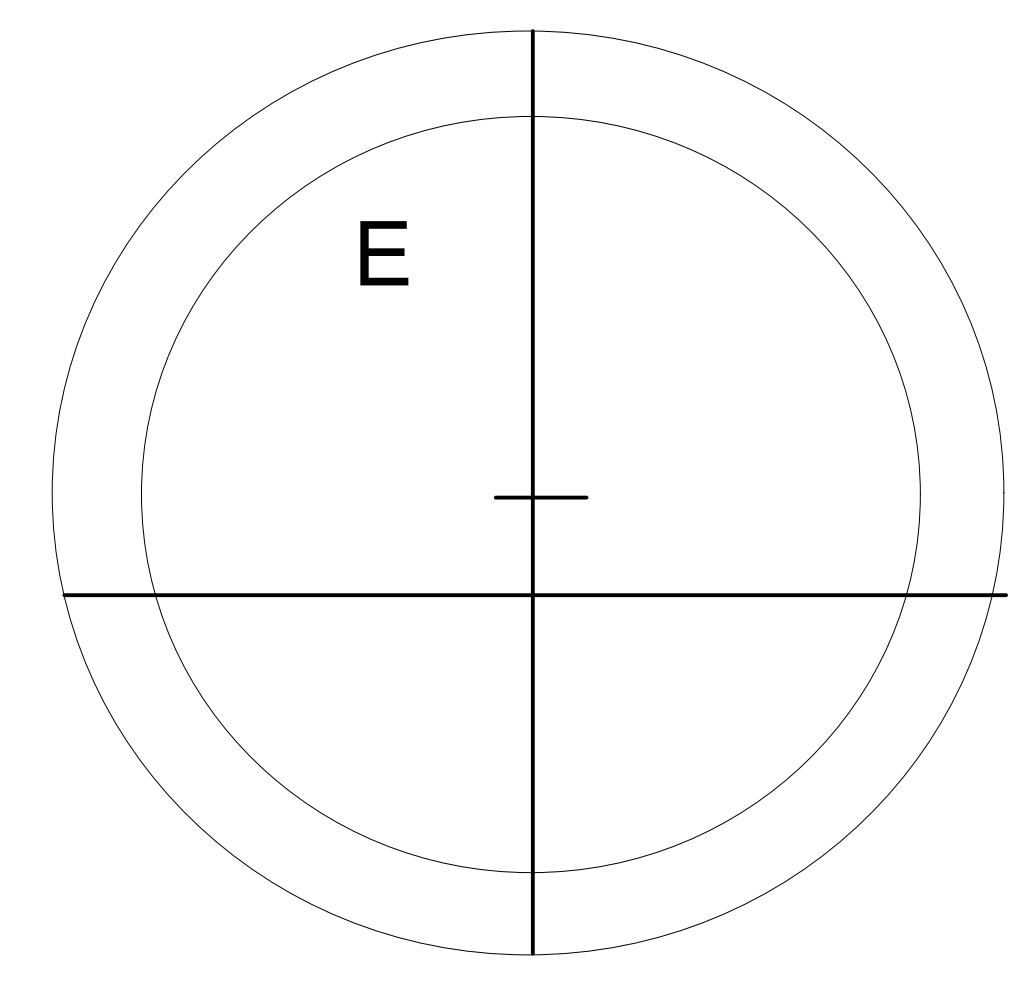
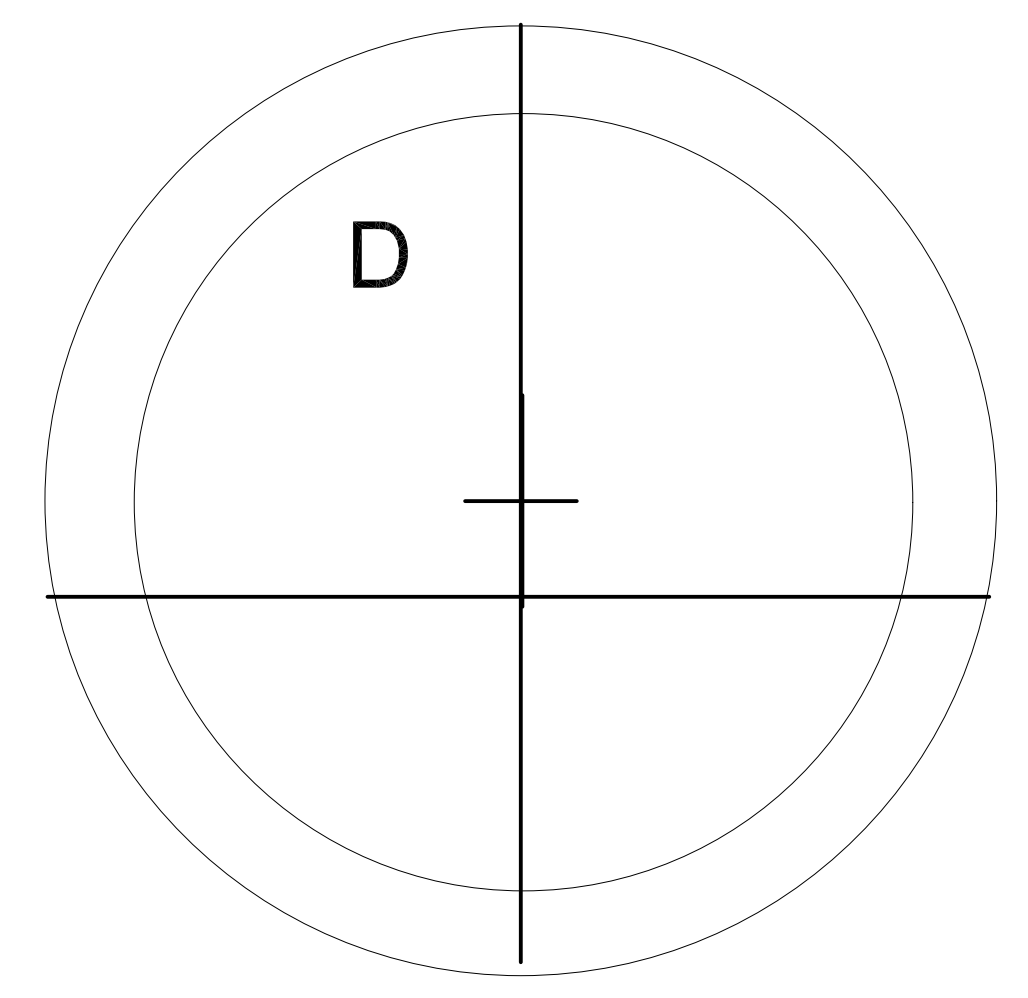
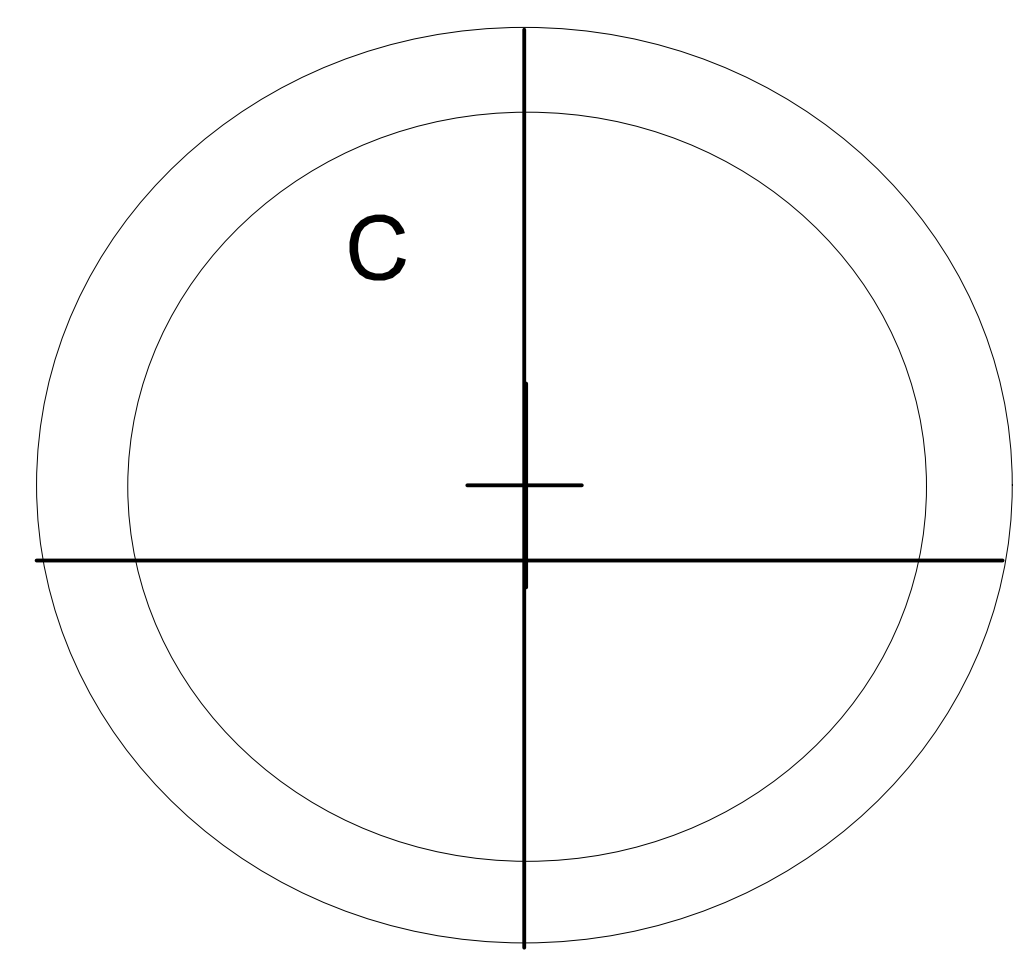
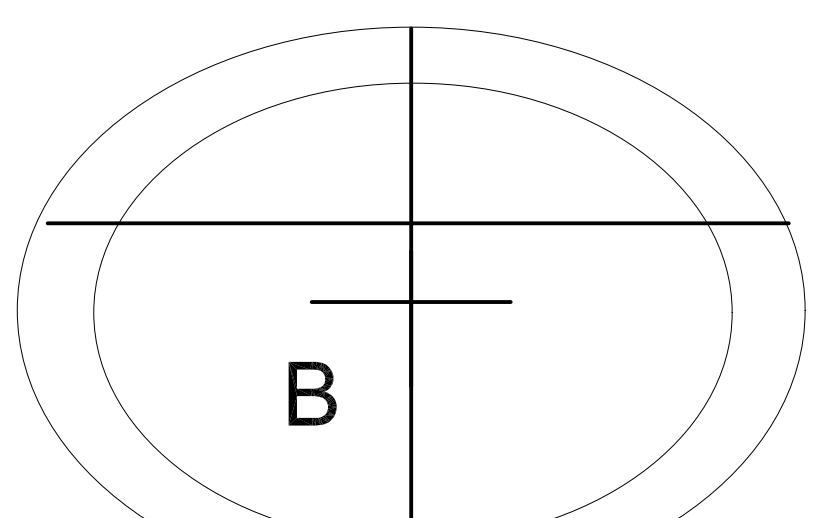
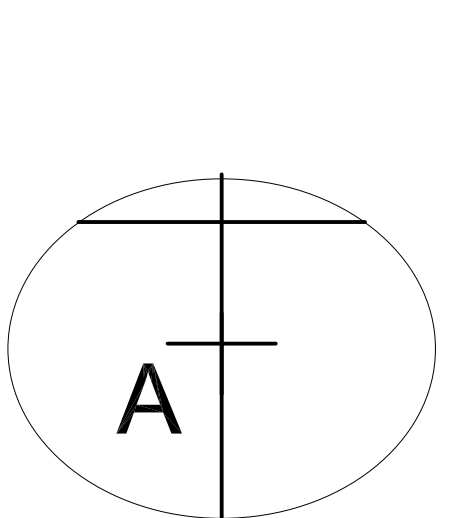
STAB FAIRINGS MAKE 2

GEAR FAIRING FROM FOAM OR HOLLOWED Balsa

MAKE TWO (2)

NACELLE WILL REQUIRE CREATIVITY TO LOOK PROPER  
N3a NEEDS TO BE ALIGNED WITH LE OF WING

TOP FRONT VIEW



# MITSUBISHI MU-2L MARQUISE

DRAWN BY TOM AKERY 2022 36" SPAN

SAND NACELLE N1-3 TO DESIRED SHAPE

