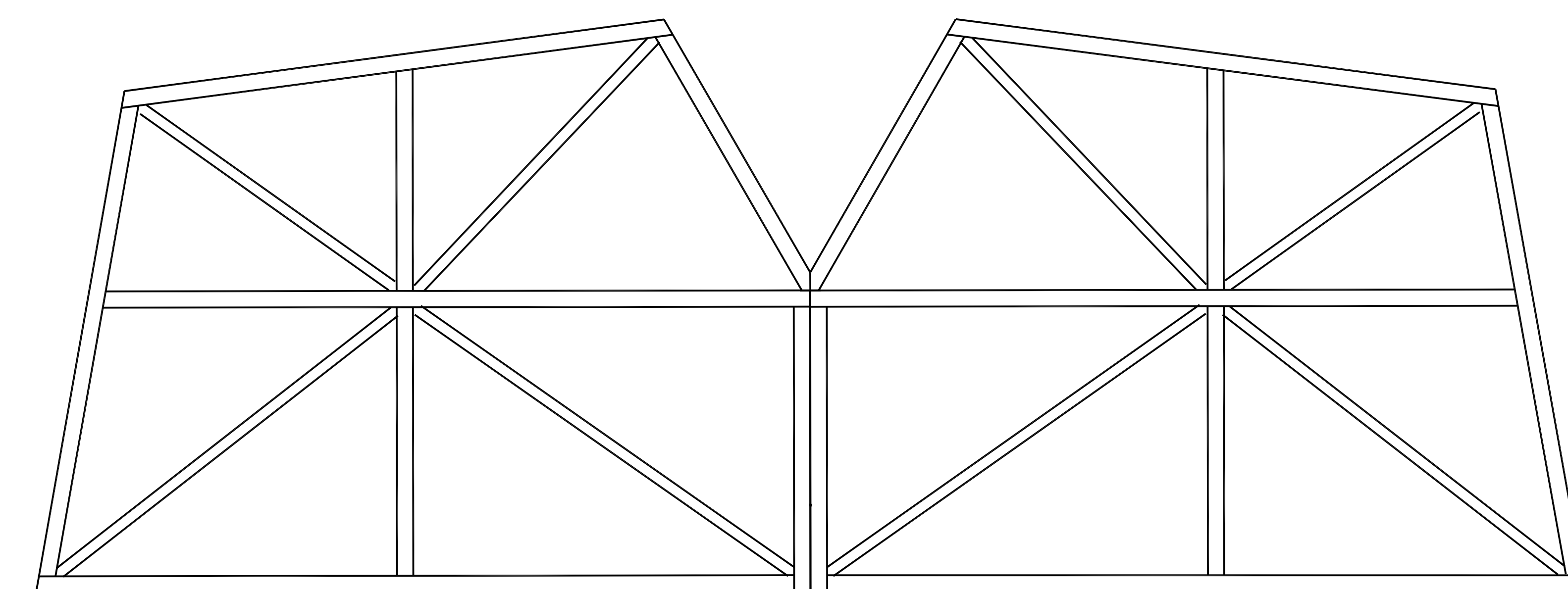
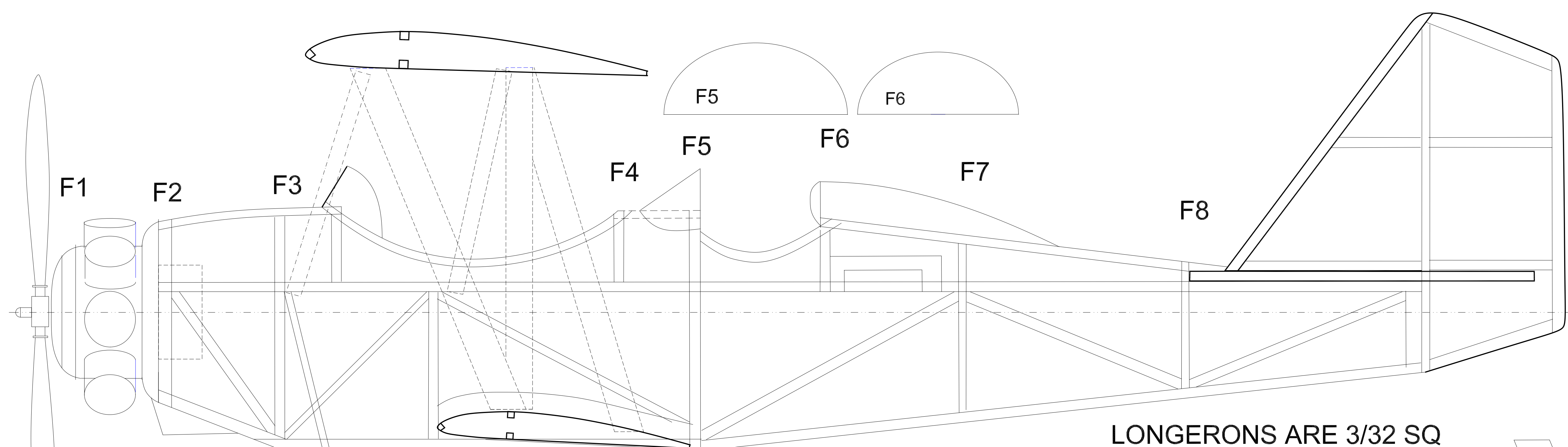


LEADING EDGE IS 1/8 SQ HARD Balsa TRAILING EDGE IS 1/16 X 1/8 HARD Balsa - WING RIBS ARE CRACK RIB CONSTRUCTION 1/16 SQ



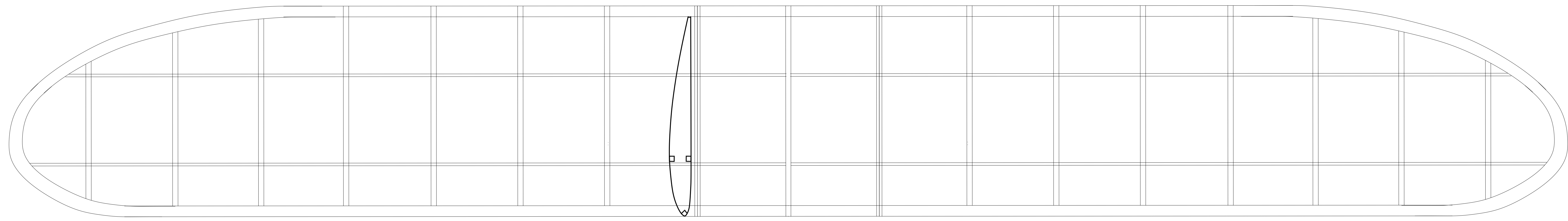
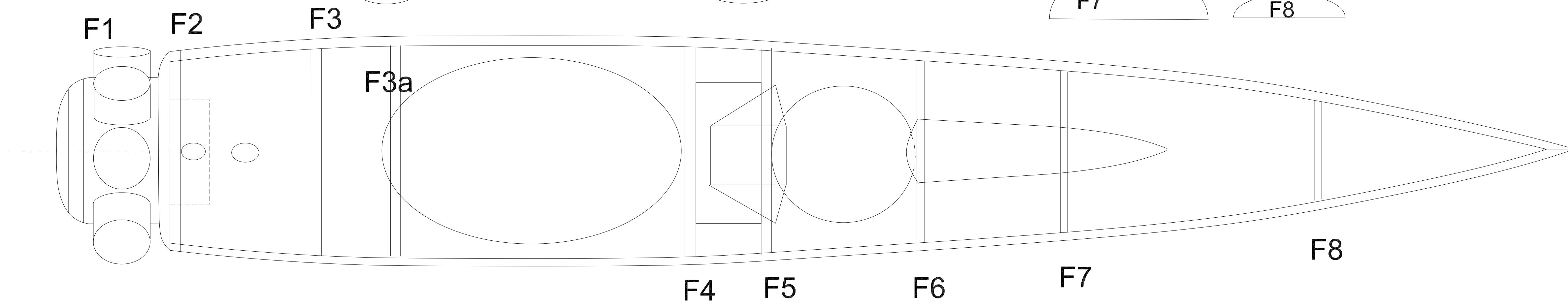
DIHEDRAL BREAKS



LONGERONS ARE 3/32 SQ



CABANE STRUTS



NEW STANDARD D-25a
Drawn by Tom Akery 3/2012
FREE FOR MEMBERS OF S&T and HPA
NOT FOR RESALE