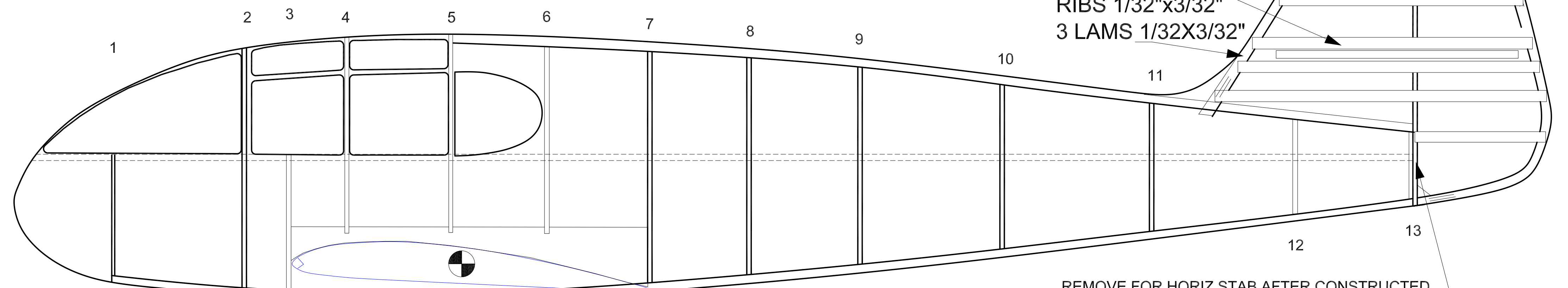
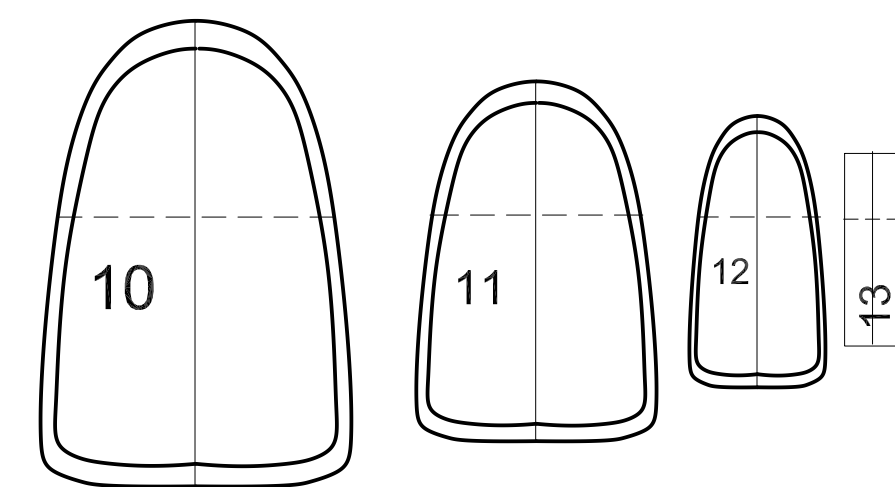
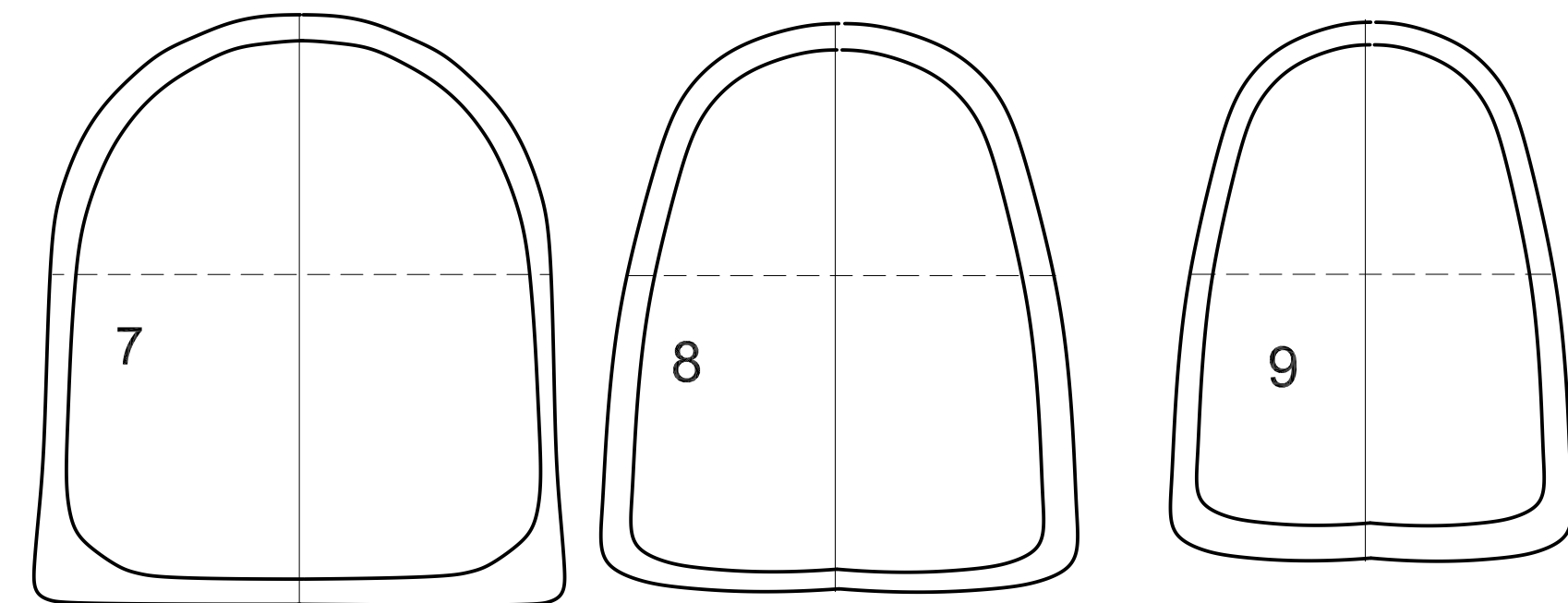
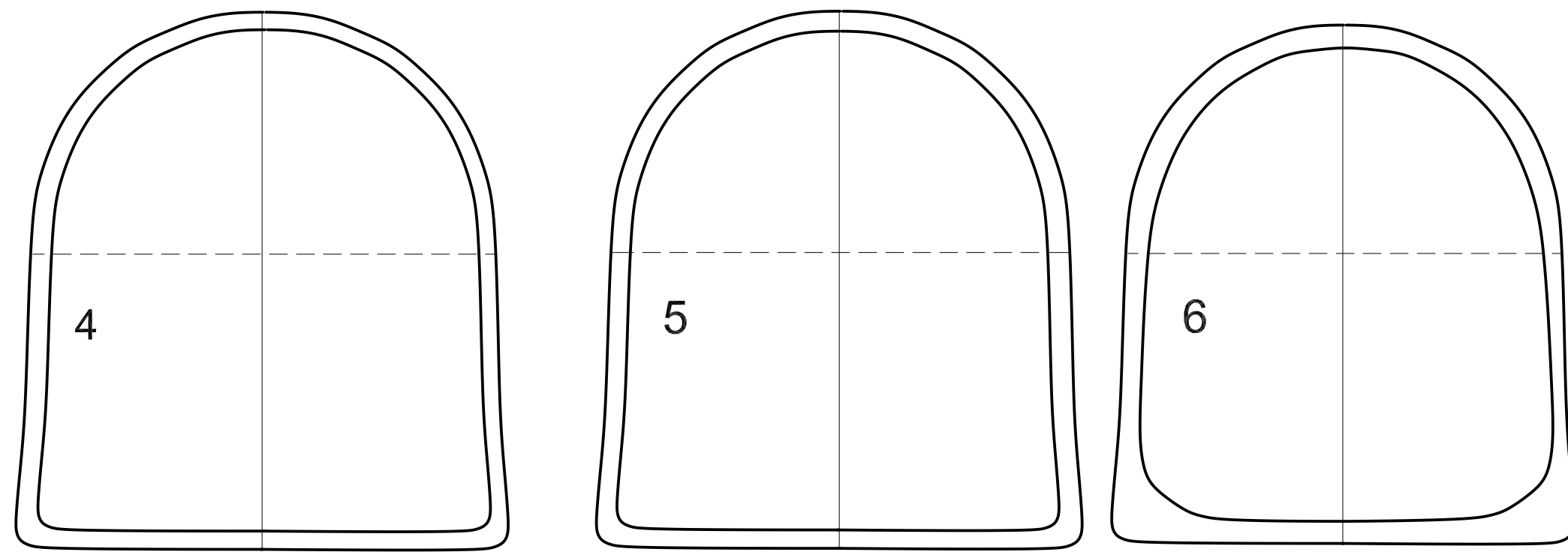
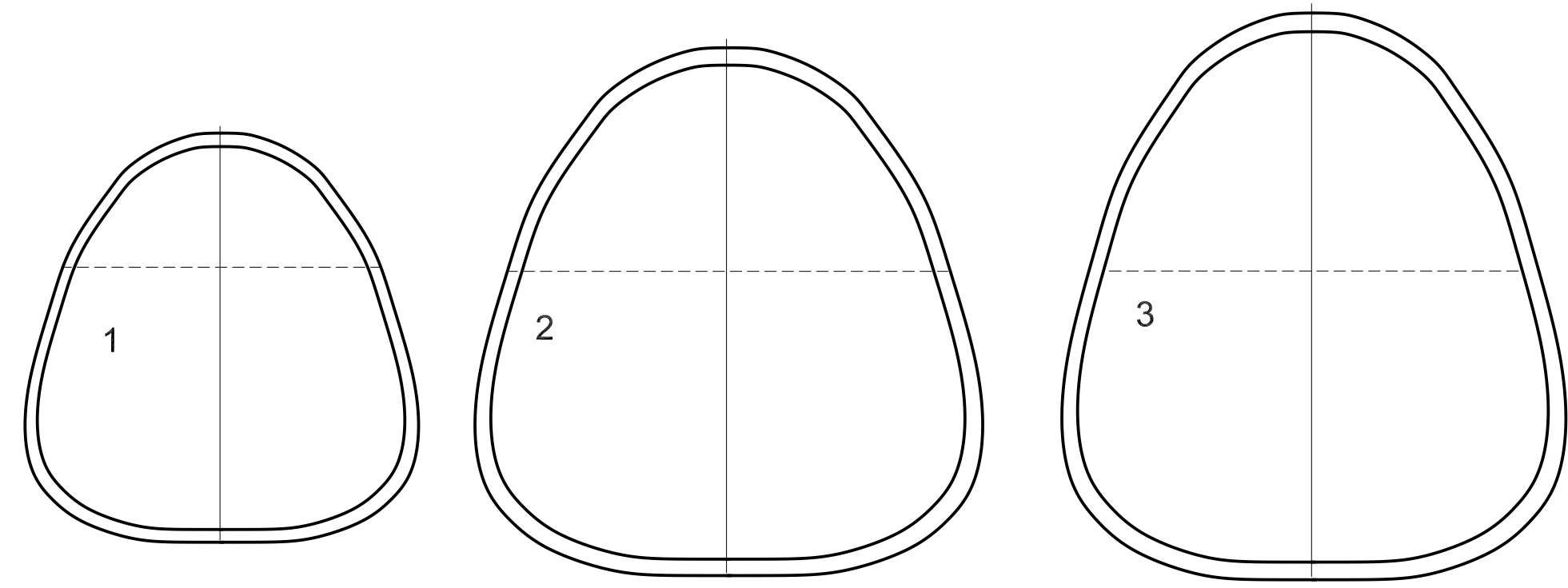


AERO AE.45-145

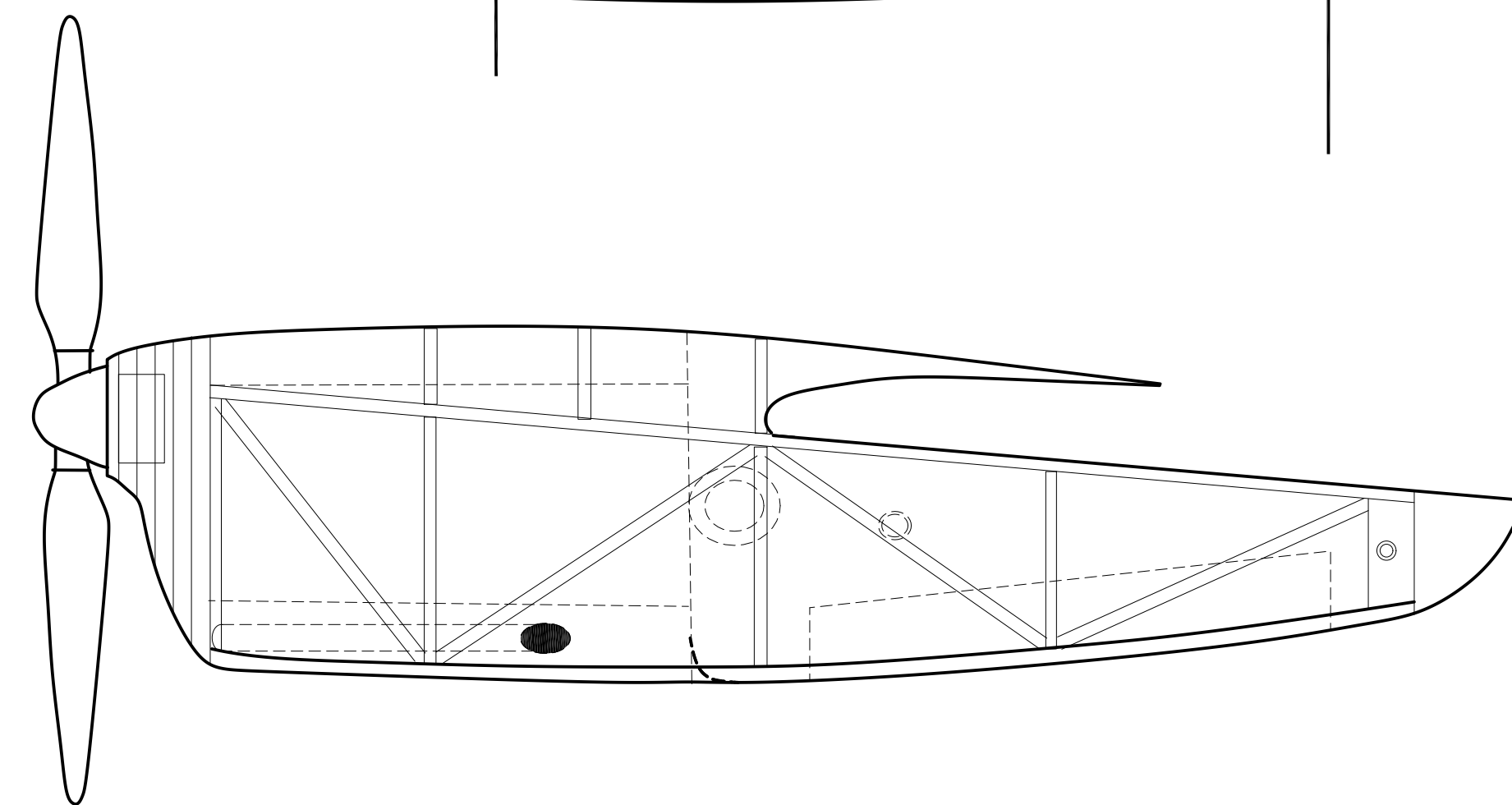
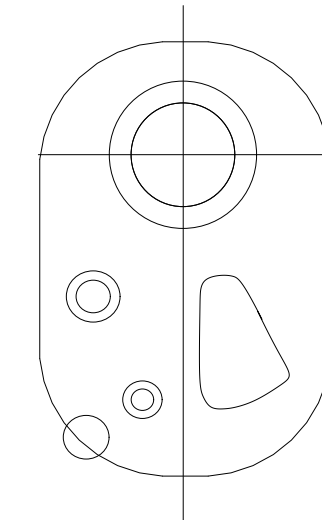
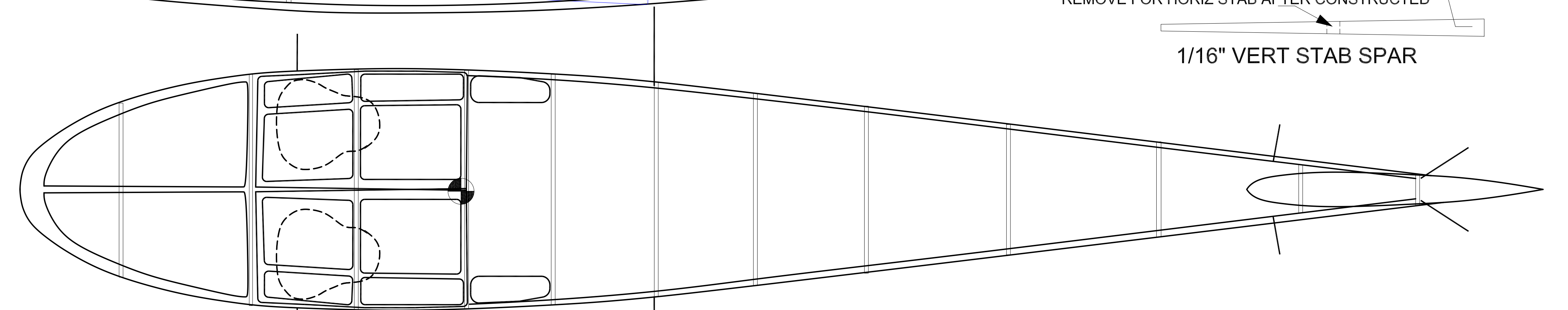
36" SPAN RUBBER POWERED
DRAWN BY TOM AKERY 15 JUNE 2020



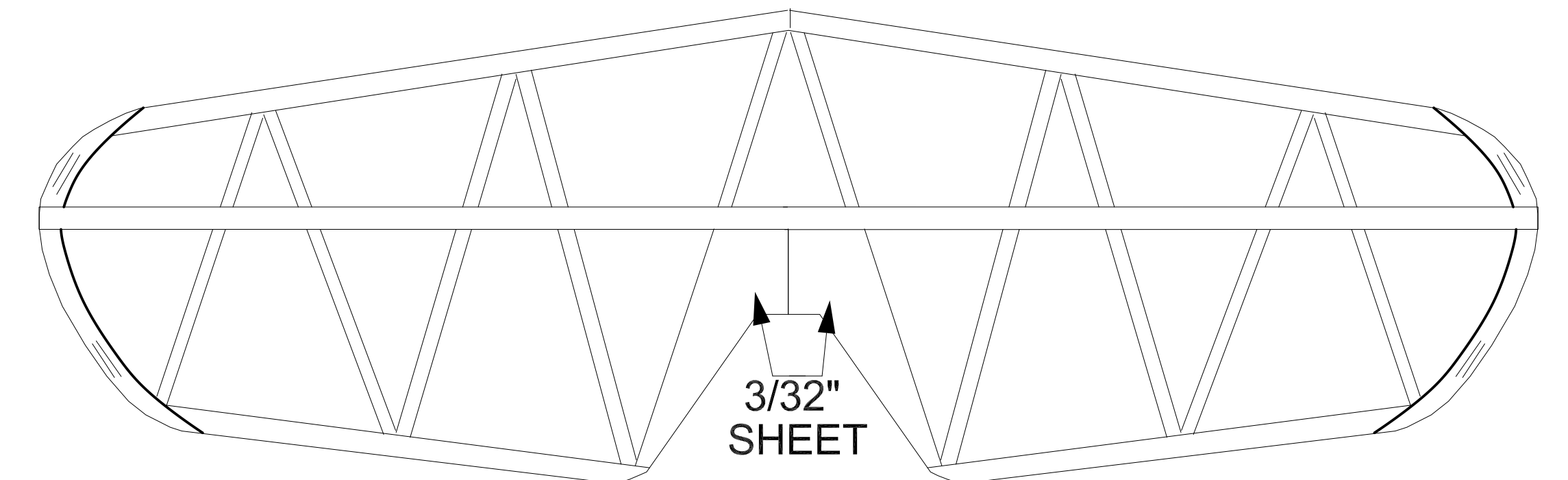
VERTICAL STAB
RIBS 1/32"x3/32"
3 LAMS 1/32X3/32"

REMOVE FOR HORIZ STAB AFTER CONSTRUCTED

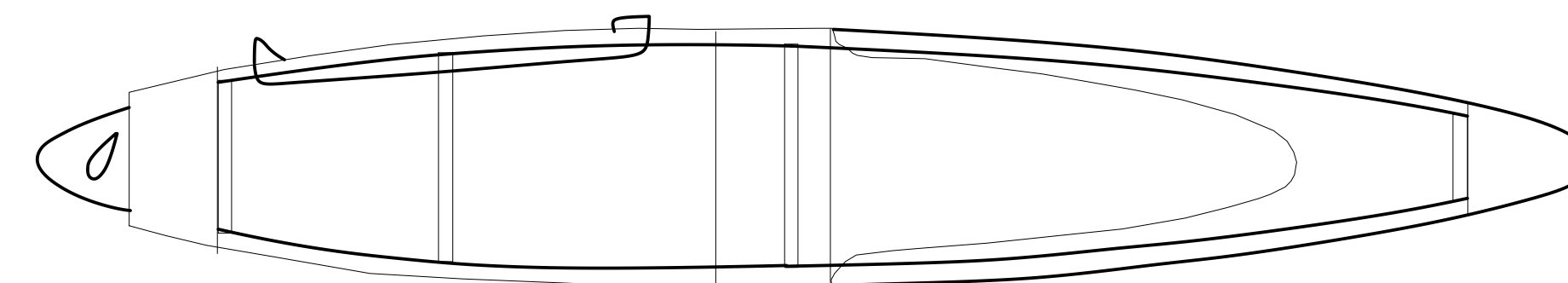
1/16" VERT STAB SPAR



HORIZONTAL STAB 3/32" SQ WITH LAM TIPS 3/32X1/32" STRIPS



WING SADDLE MAKE 2



DIHEDRAL BREAKS OUTSIDE NACELLES

2.5" DIHEDRAL UNDER EACH WINGTIP

