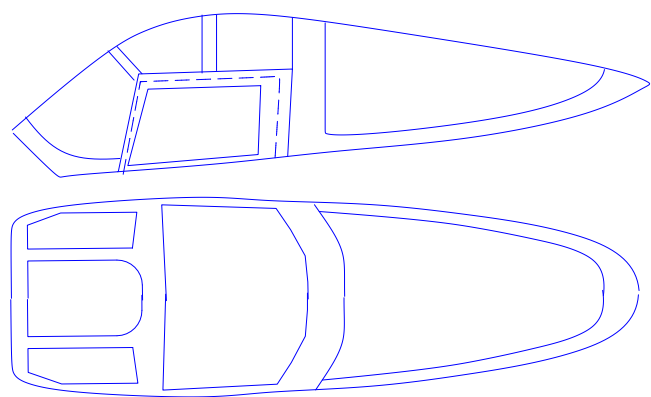
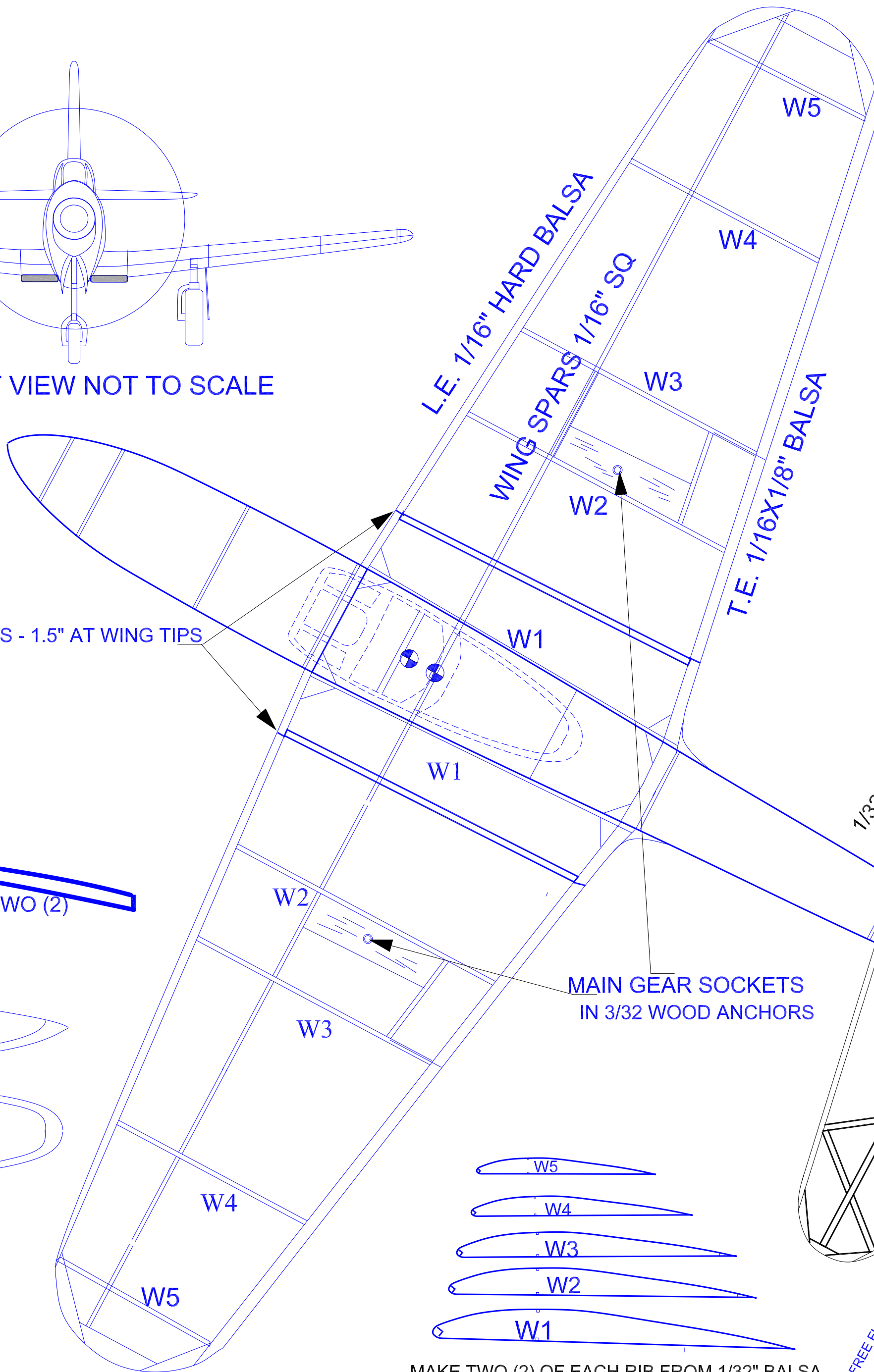
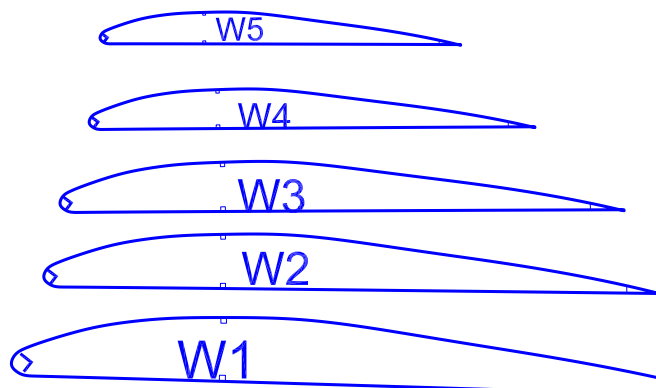


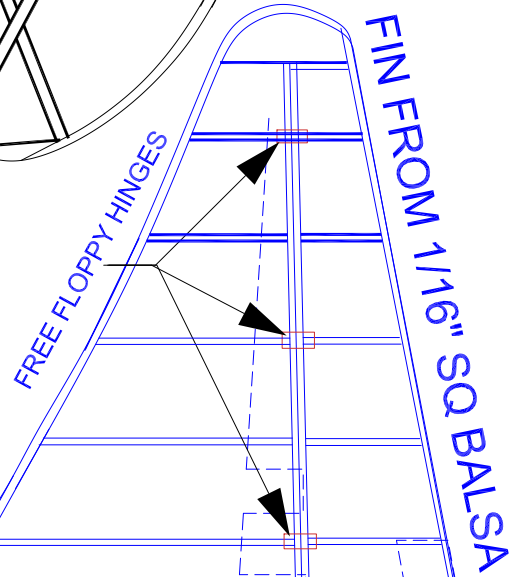
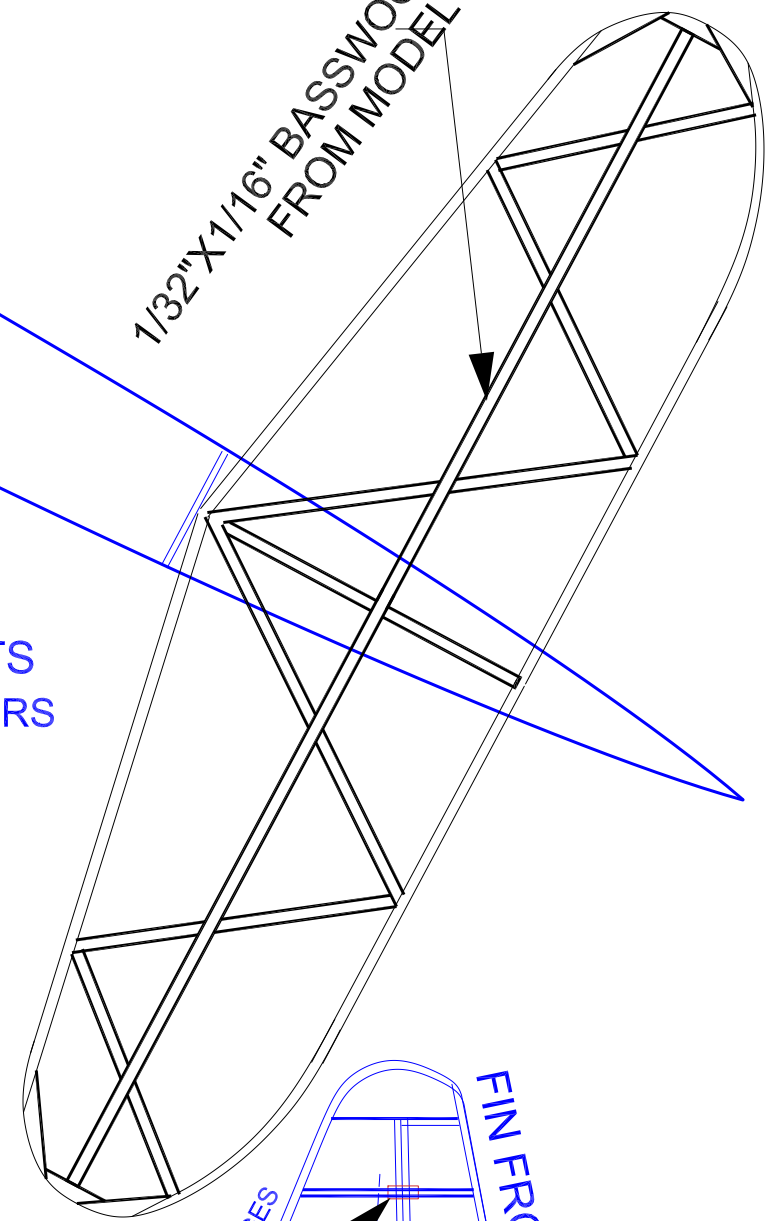
FRONT VIEW NOT TO SCALE



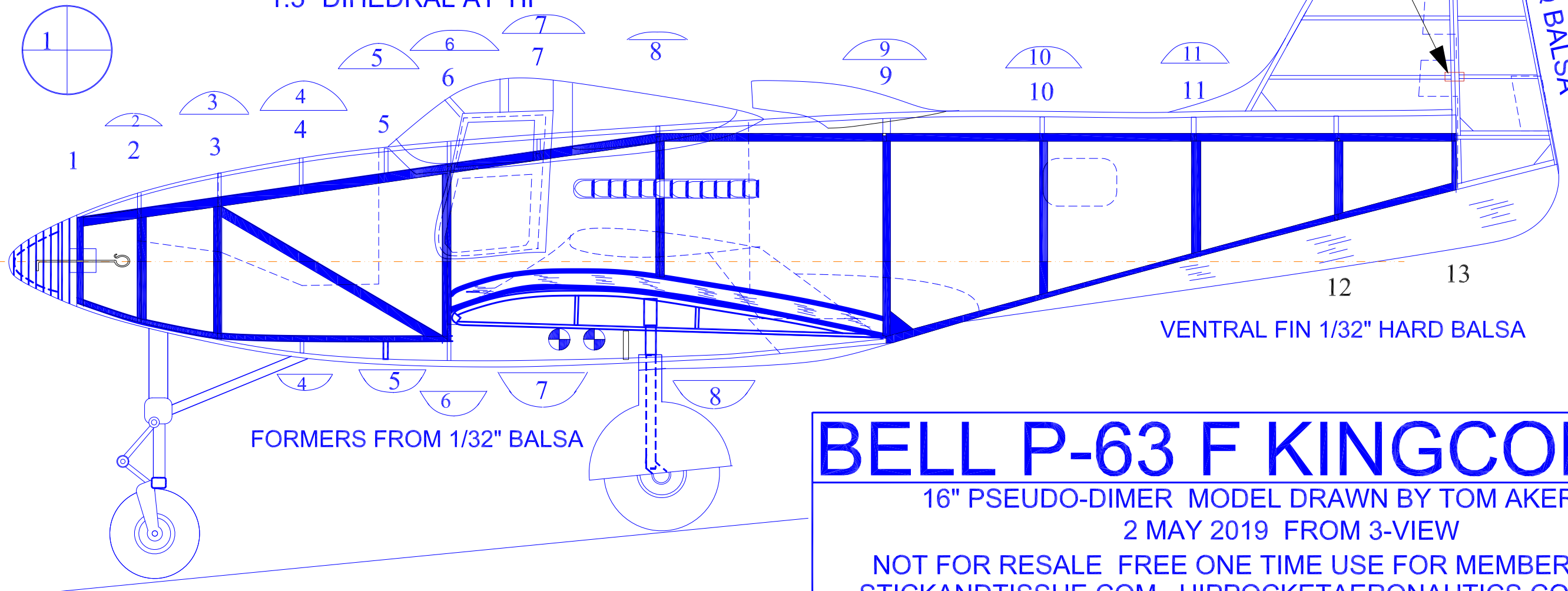
WING SADDLE MAKE TWO (2)



MAKE TWO (2) OF EACH RIB FROM 1/32" Balsa



MAKE THE RUDDER FLOPPY TO AVOID TOO MUCH VERTICAL STAB



BELL P-63 F KINGCOBRA

16" PSEUDO-DIMER MODEL DRAWN BY TOM AKERY
2 MAY 2019 FROM 3-VIEW

NOT FOR RESALE FREE ONE TIME USE FOR MEMBERS OF
STICKANDTISSUE.COM HIPPOCKETAERONAUTICS.COM & SFA