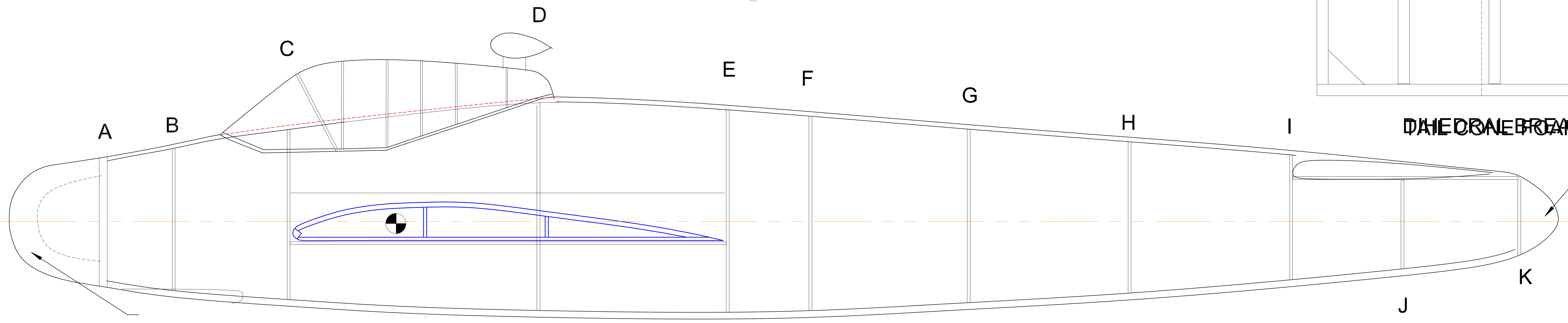
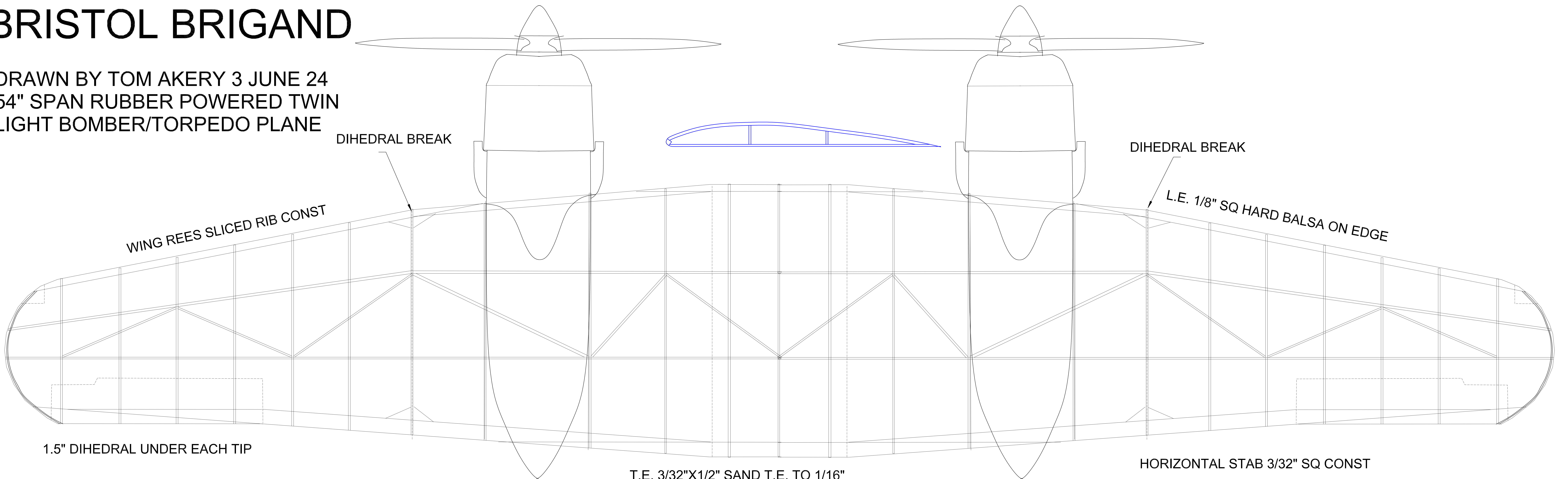
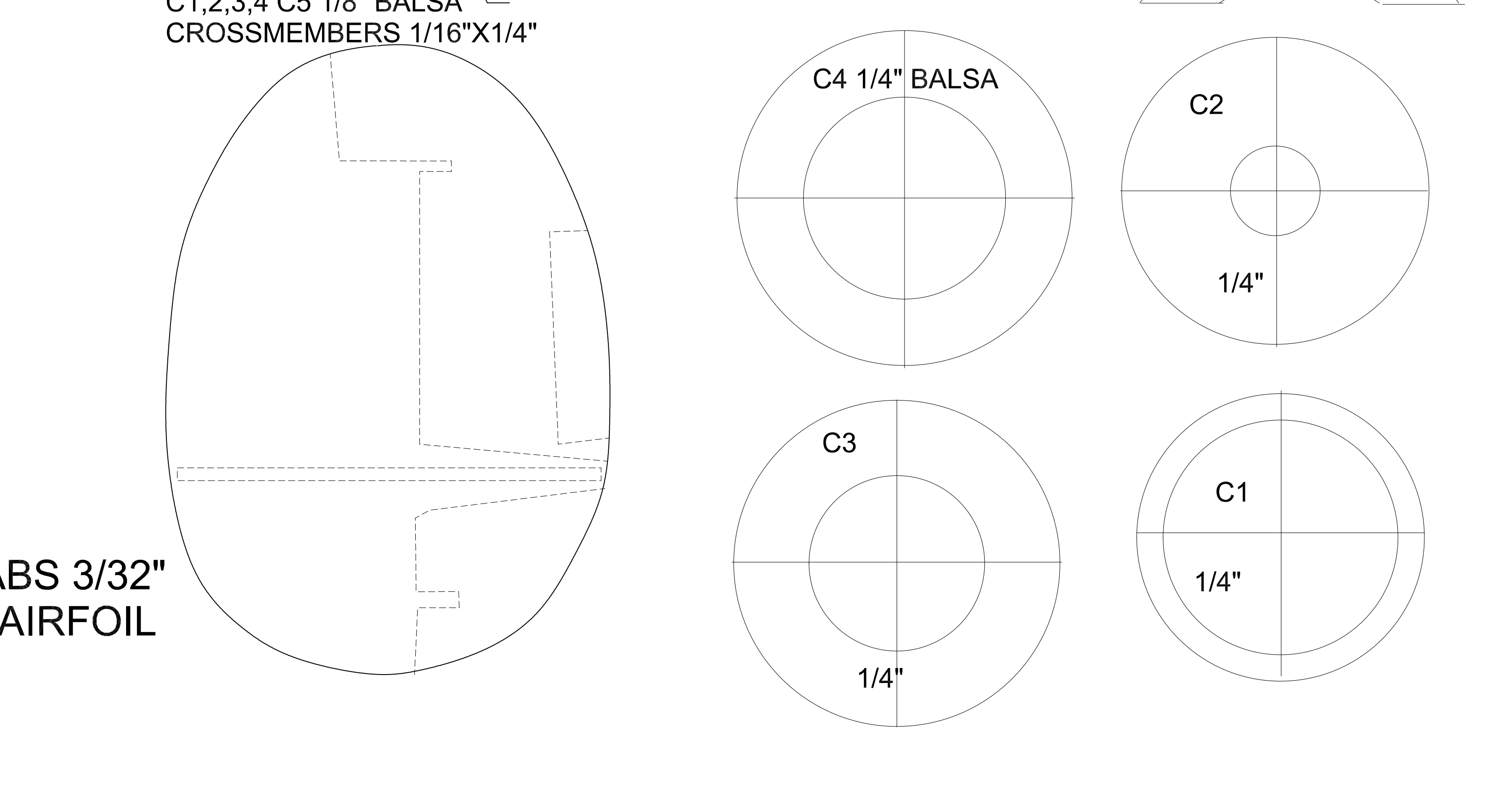
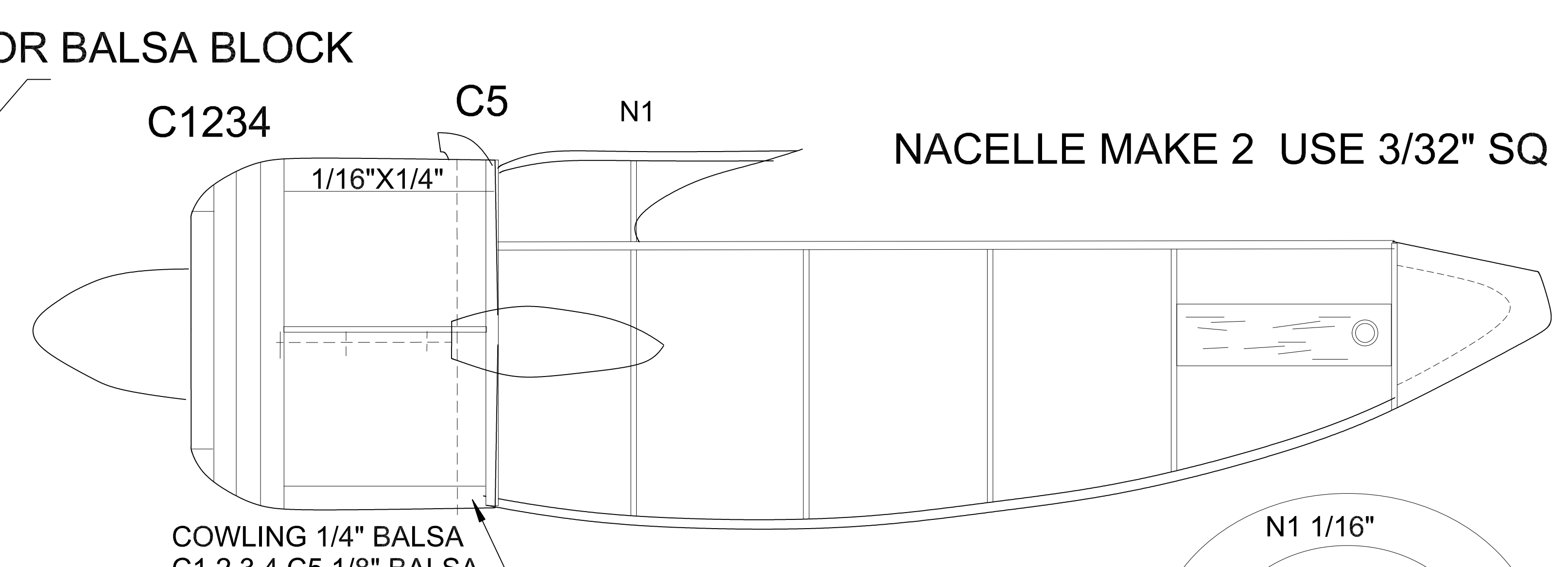
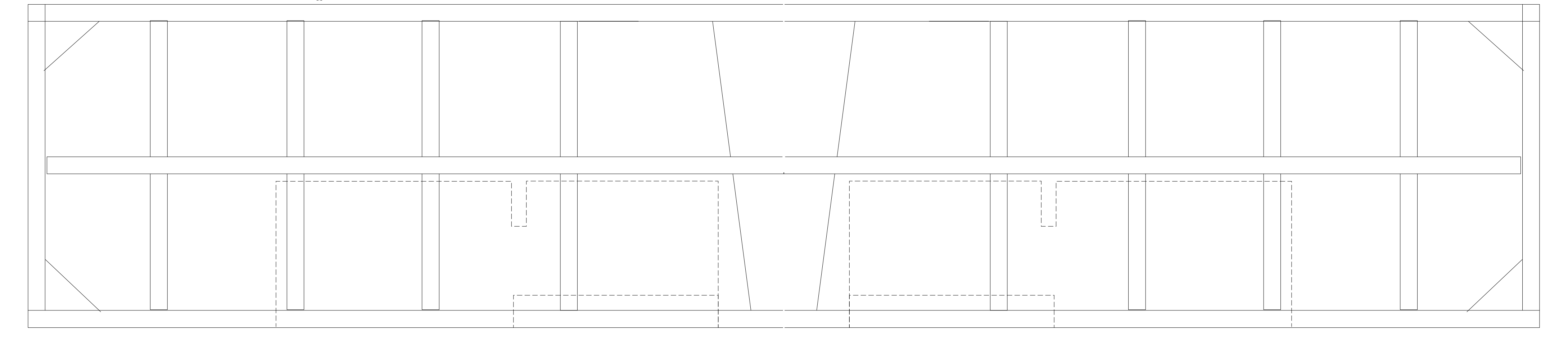
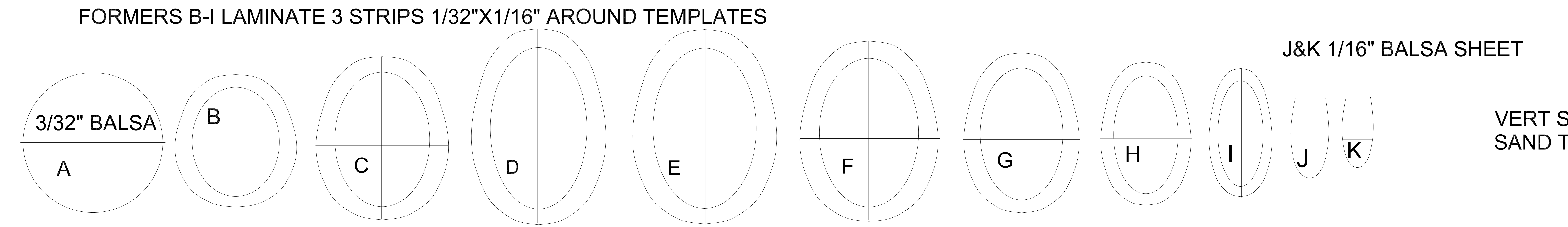
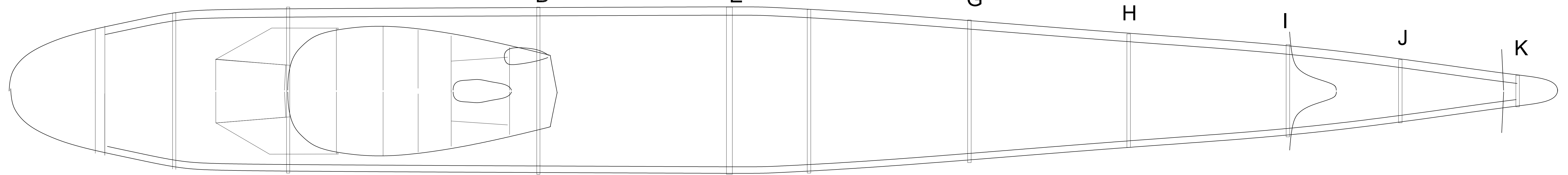


# BRISTOL BRIGAND

DRAWN BY TOM AKERY 3 JUNE 24  
 54" SPAN RUBBER POWERED TWIN  
 LIGHT BOMBER/TORPEDO PLANE



NOSE CONE HOLLOWED  
 Balsa BLOCK



VERT STABS 3/32"  
 SAND TO AIRFOIL