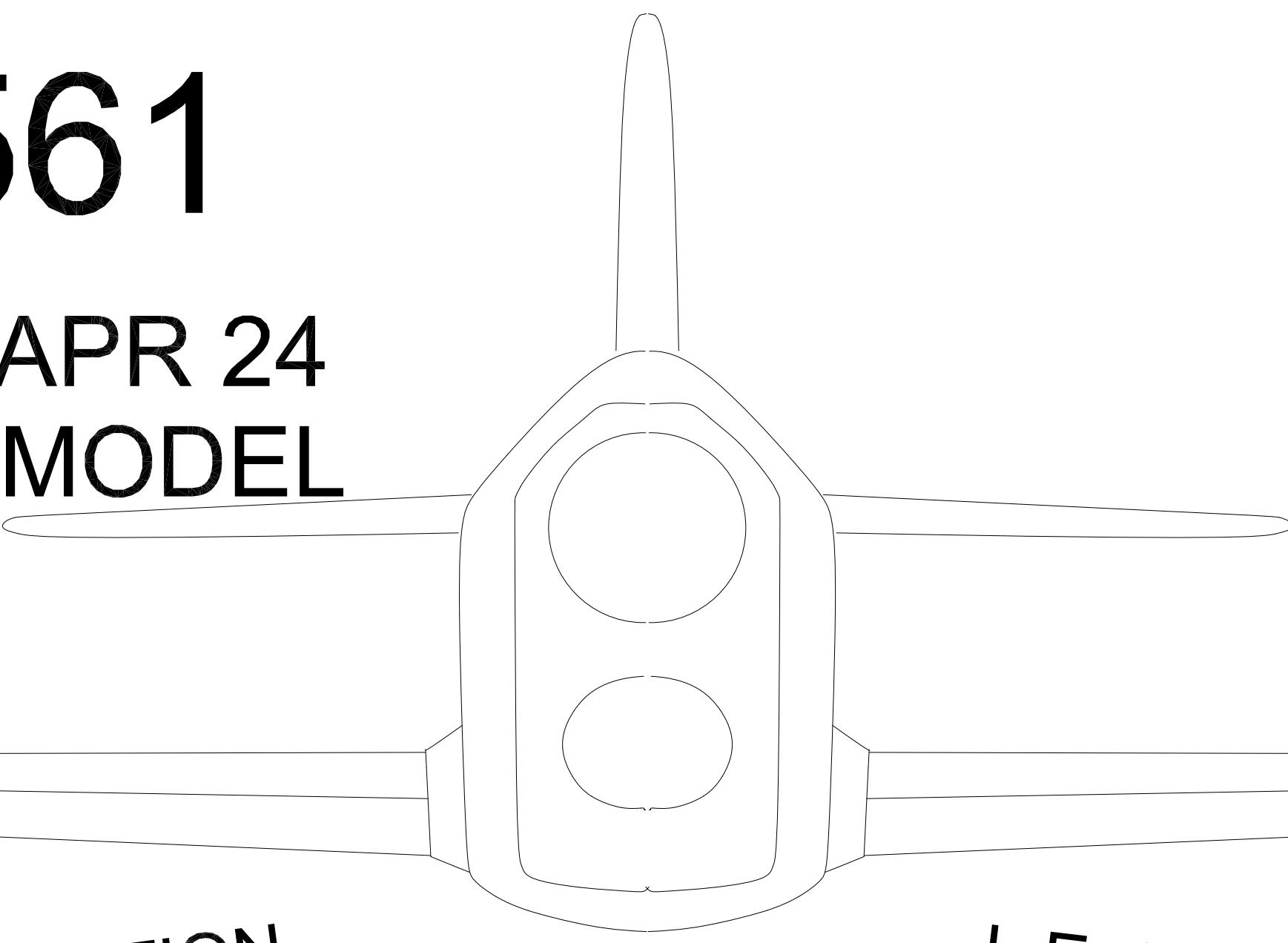
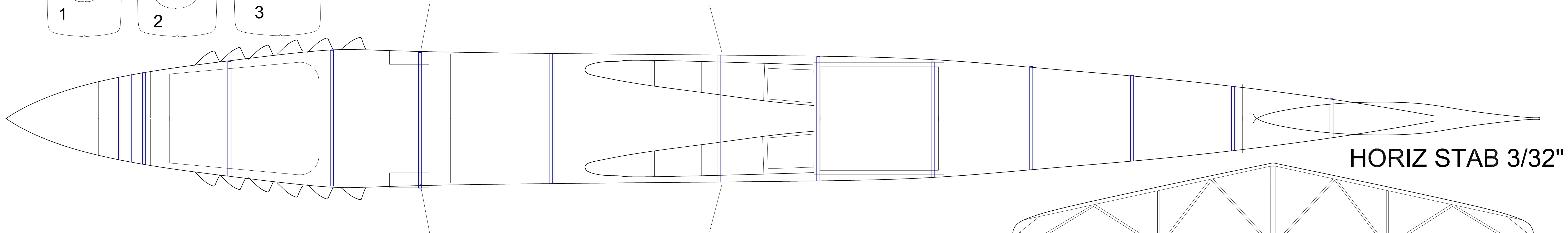
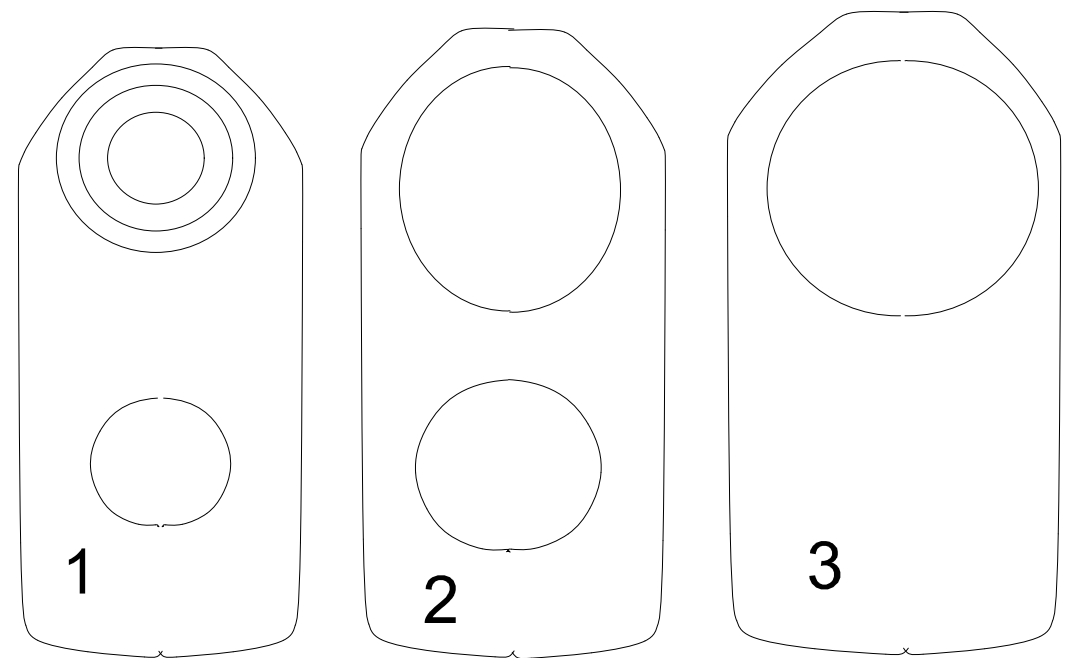
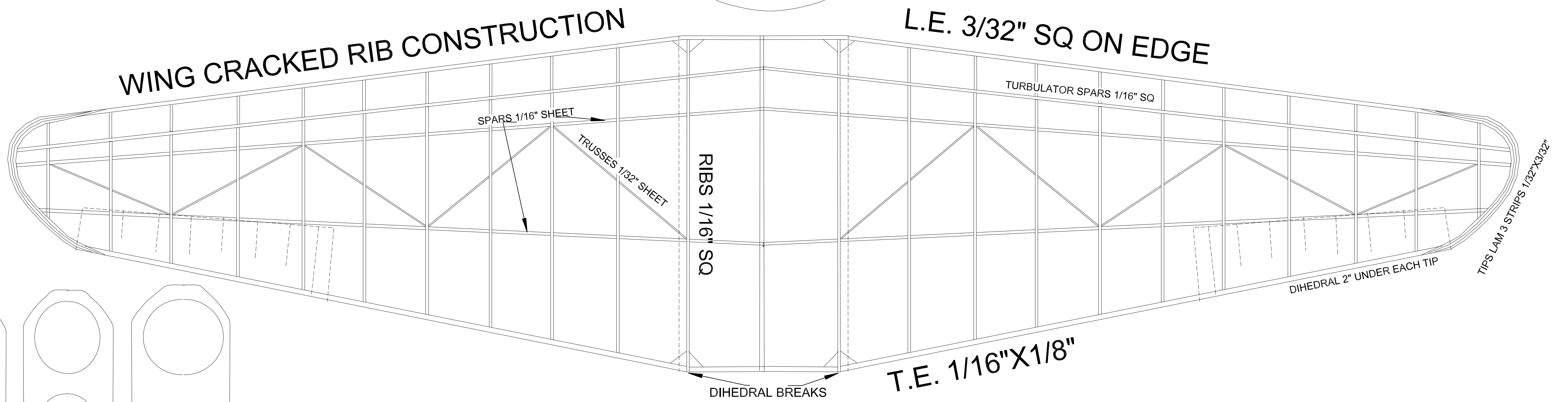


# CAUDRON C.561

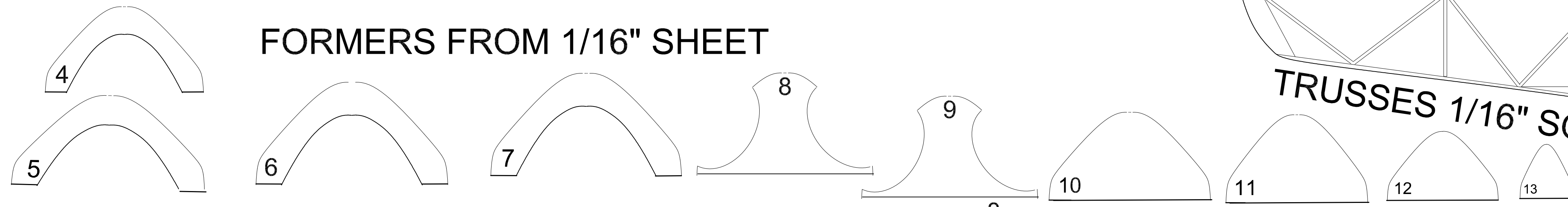
DRAWN BY TOM AKERY 27 APR 24  
27" SPAN RUBBER POWER MODEL



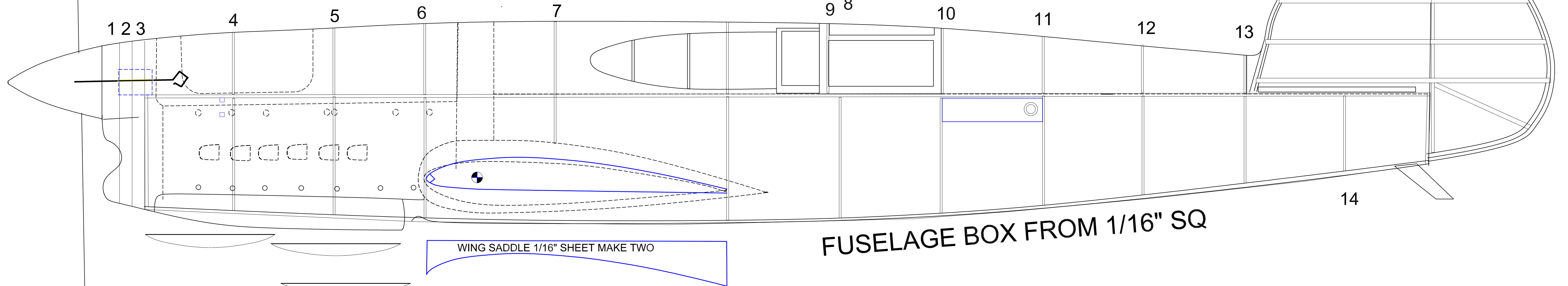
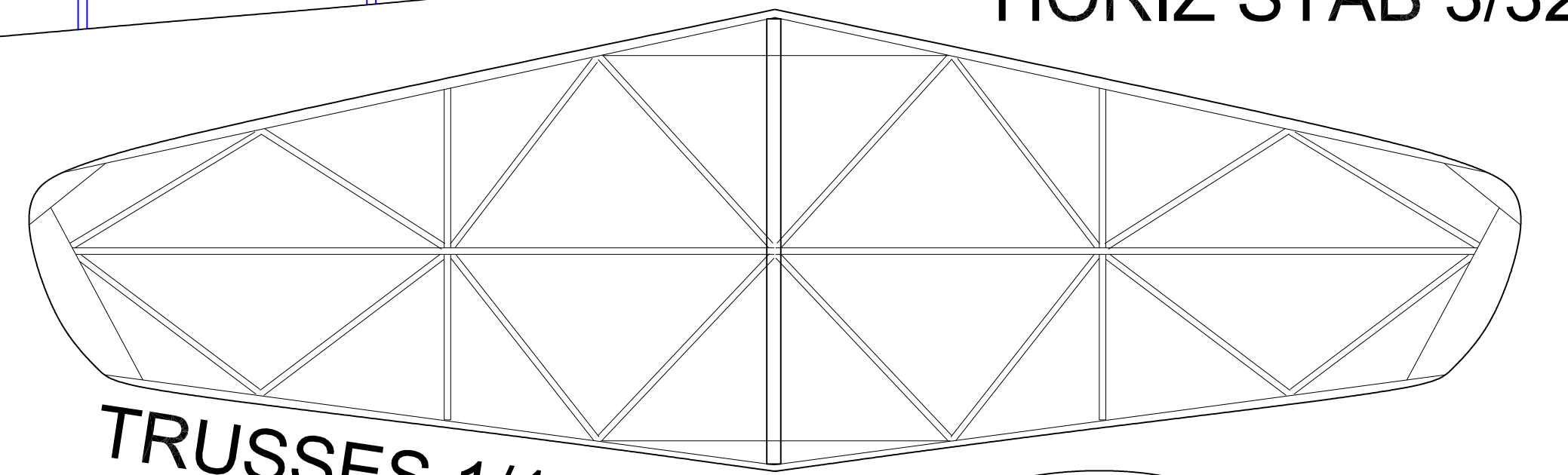
WING CRACKED RIB CONSTRUCTION



FORMERS FROM 1/16" SHEET



TRUSSES 1/16" SQ



FUSELAGE BOX FROM 1/16" SQ

WING SADDLE 1/16" SHEET MAKE TWO