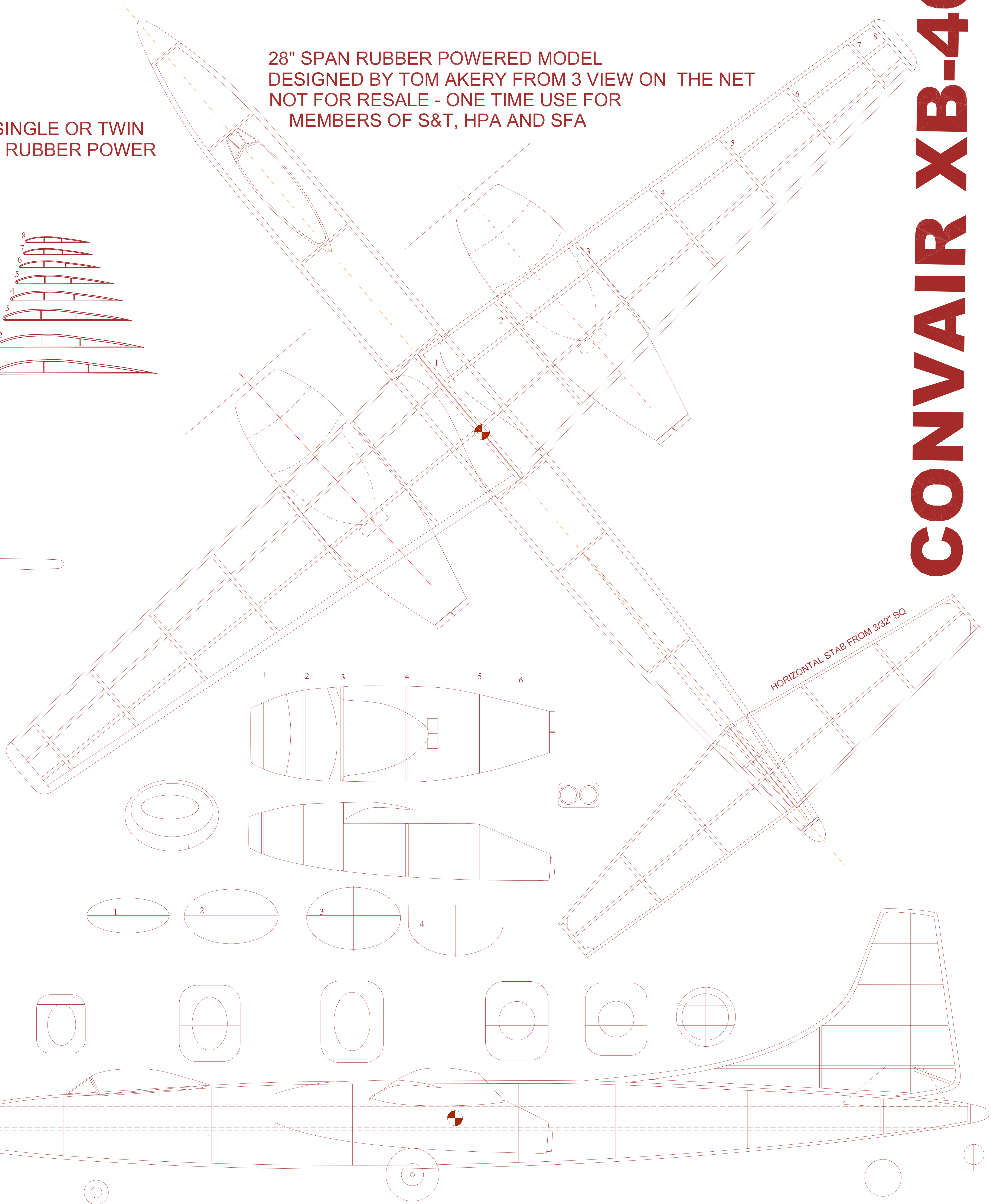
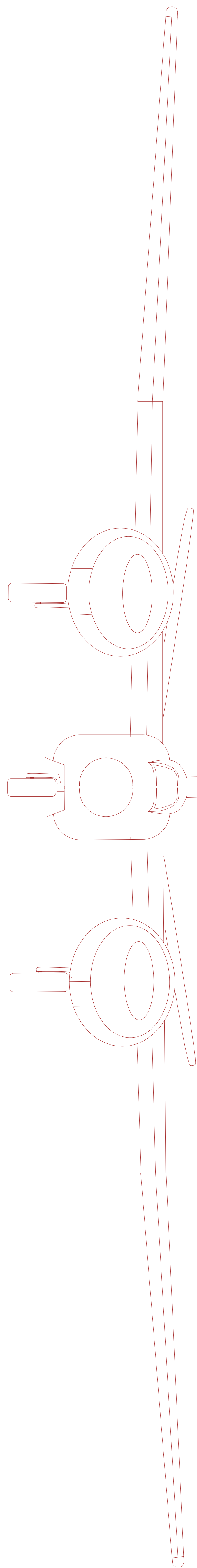
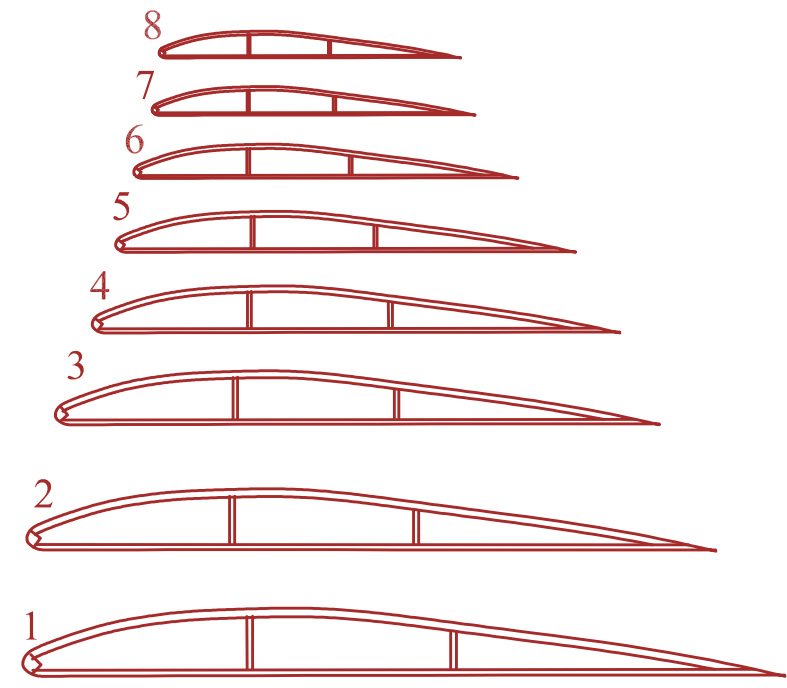


FOR SINGLE OR TWIN  
PROP RUBBER POWER

28" SPAN RUBBER POWERED MODEL  
DESIGNED BY TOM AKERY FROM 3 VIEW ON THE NET  
NOT FOR RESALE - ONE TIME USE FOR  
MEMBERS OF S&T, HPA AND SFA



HORIZONTAL STAB FROM 3/32" SQ

# CONVAIR XB-46