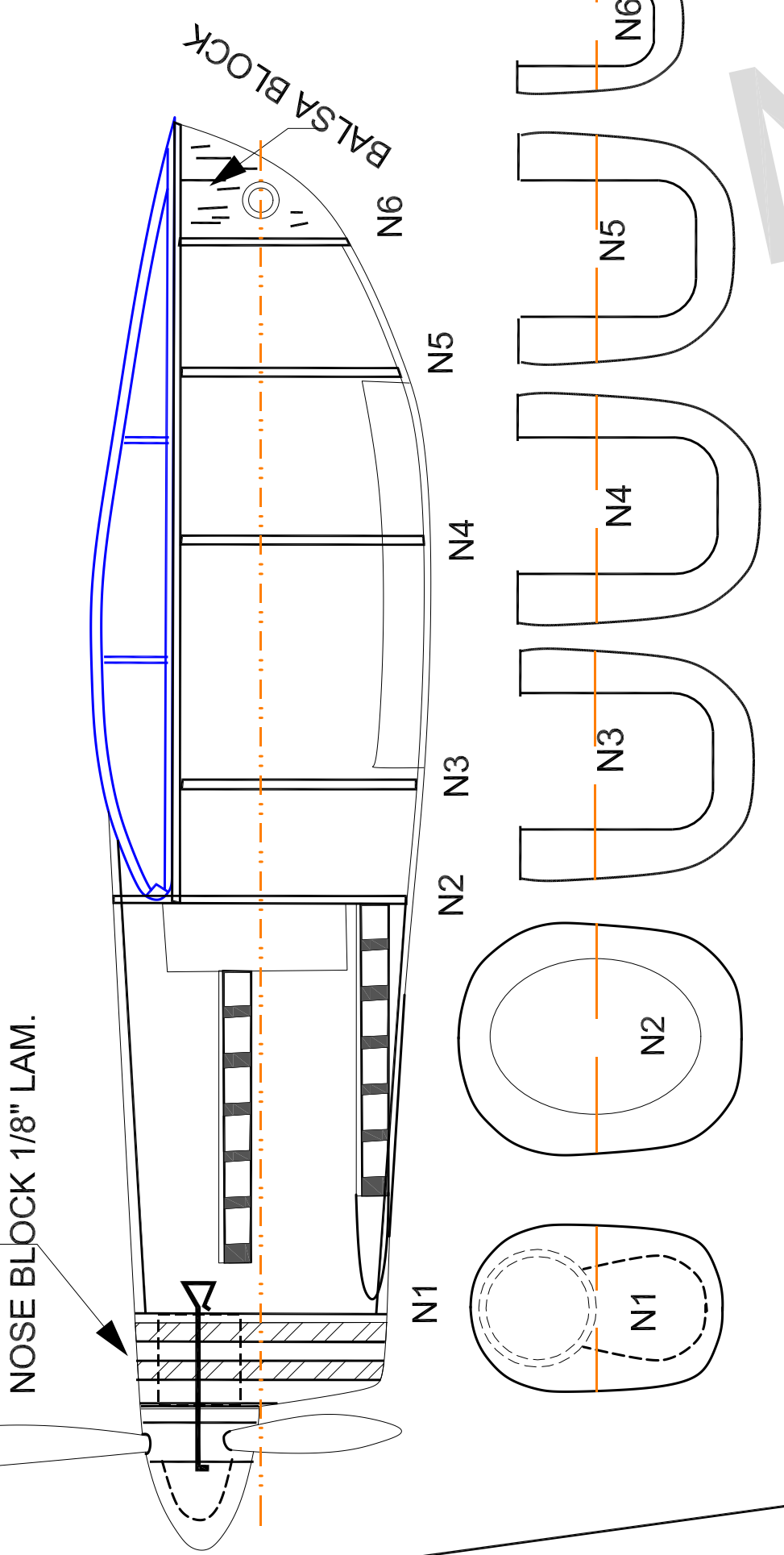
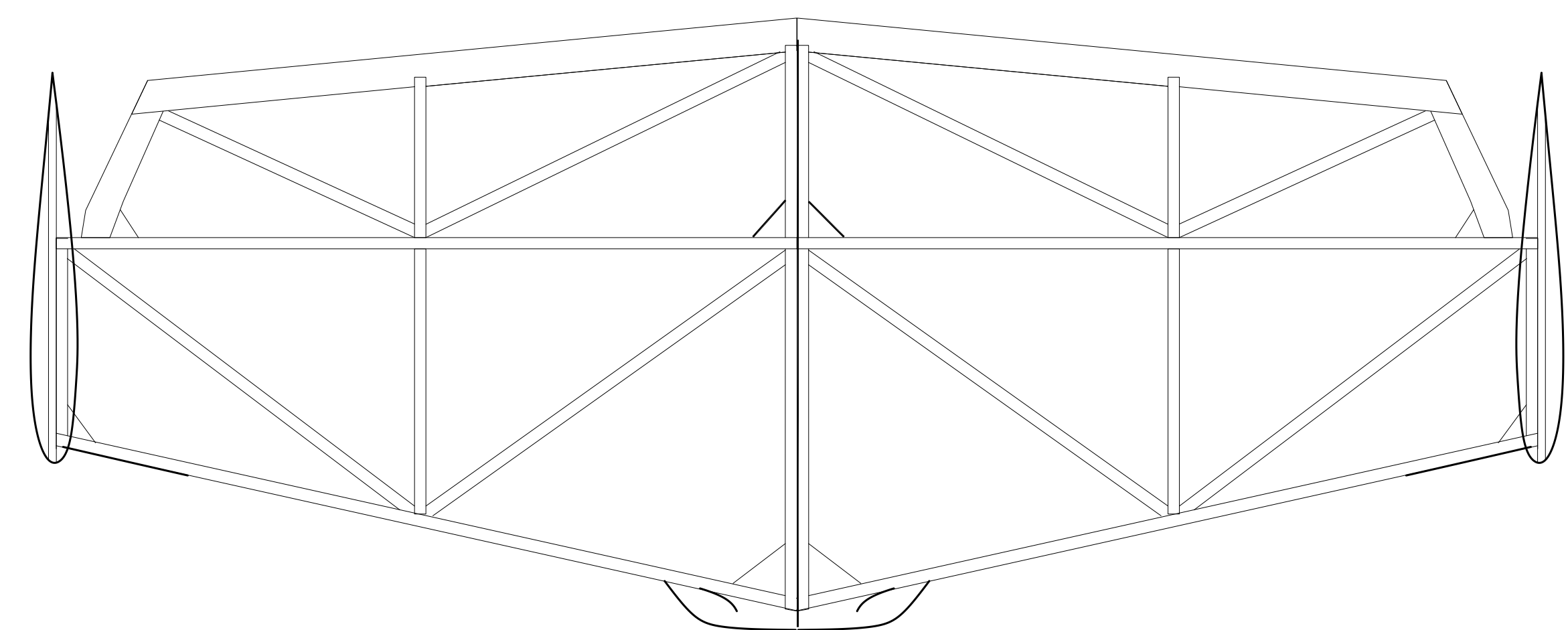
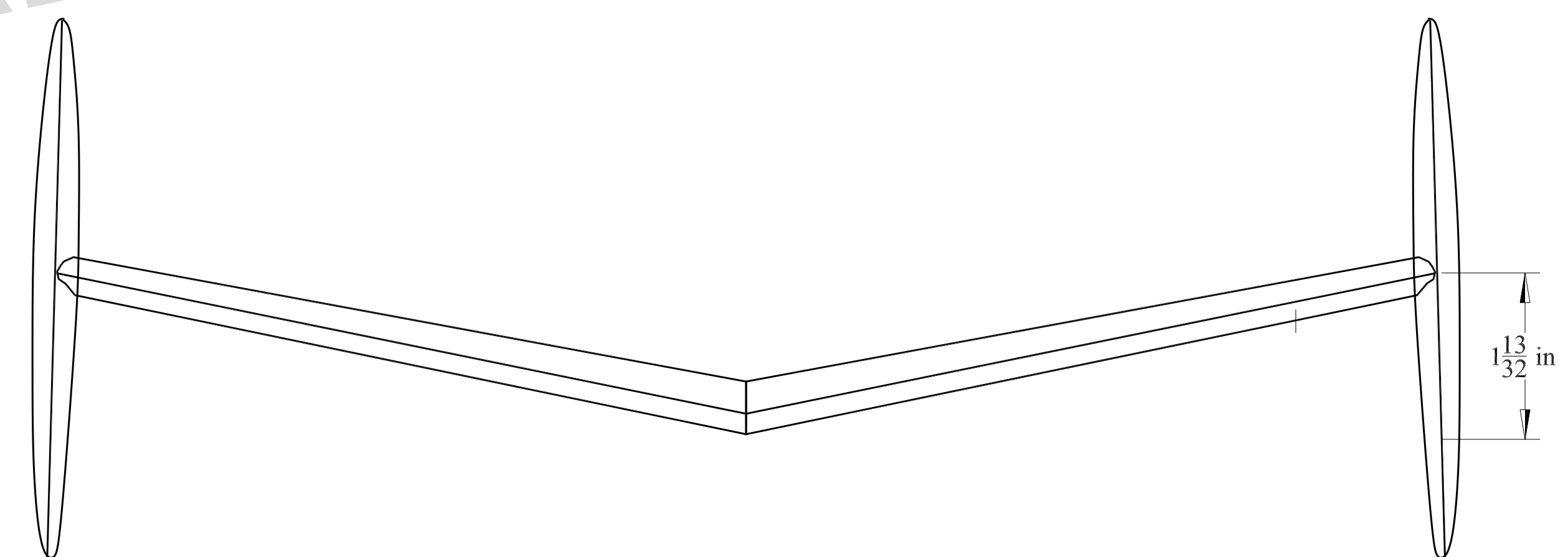
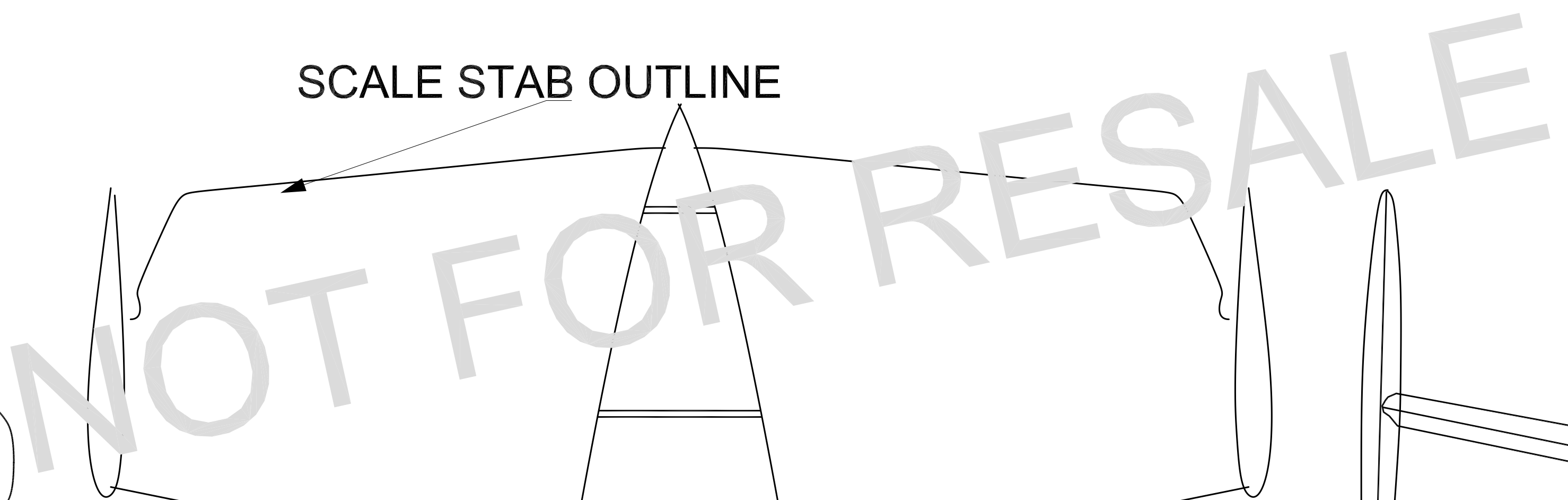
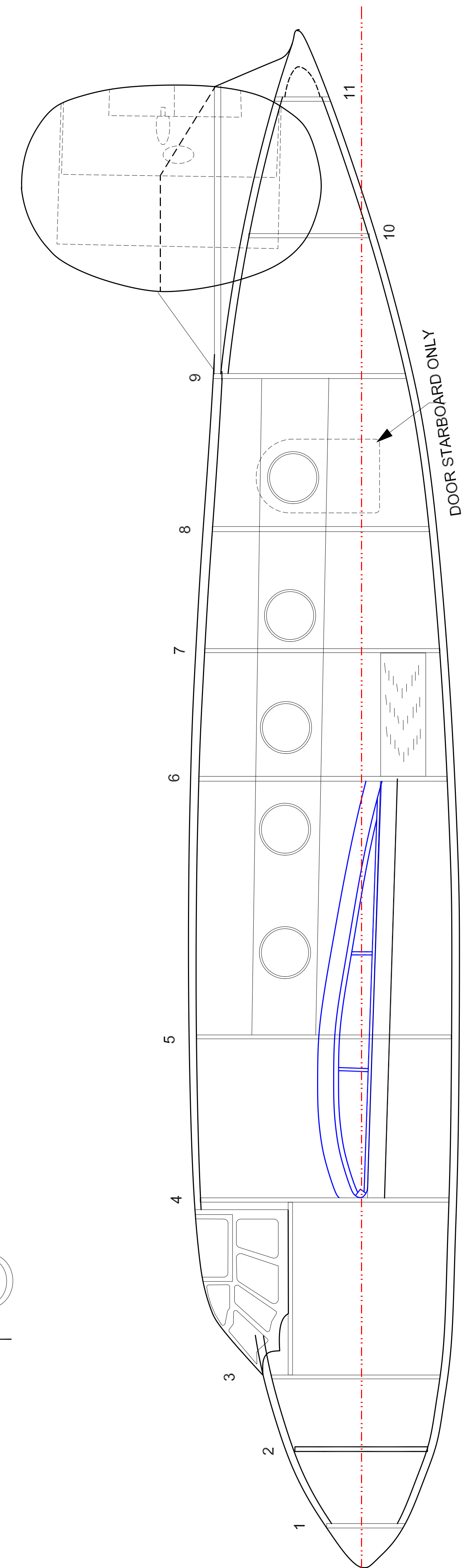
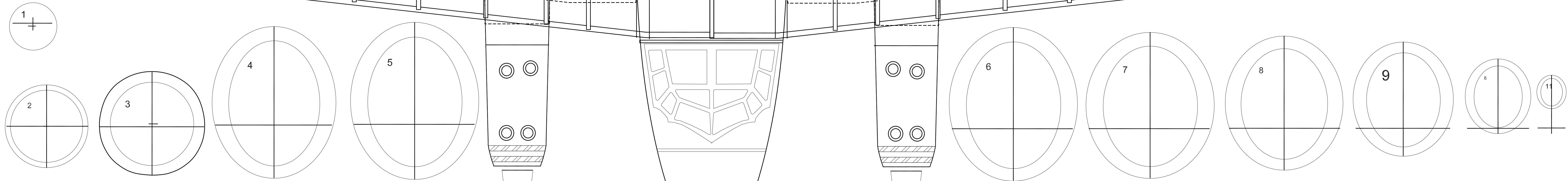
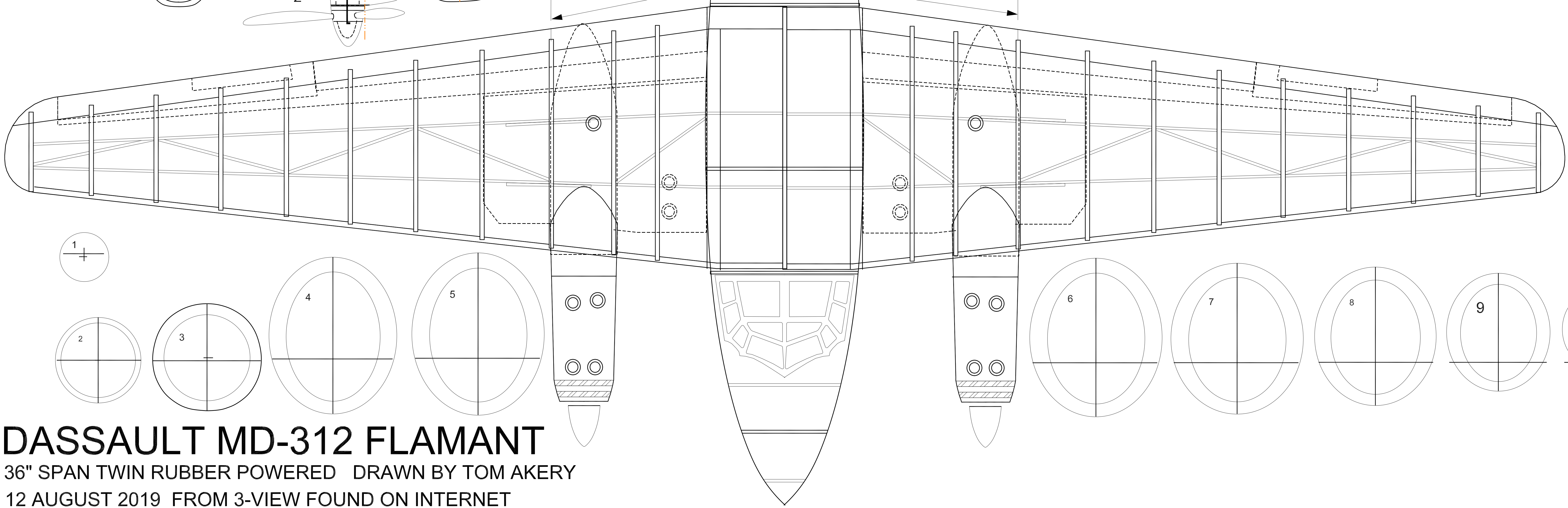


SCALE STAB OUTLINE



DIHEDRAL BREAKS 3" AT EACH TIP



DASSAULT MD-312 FLAMANT
36" SPAN TWIN RUBBER POWERED DRAWN BY TOM AKERY
12 AUGUST 2019 FROM 3-VIEW FOUND ON INTERNET