

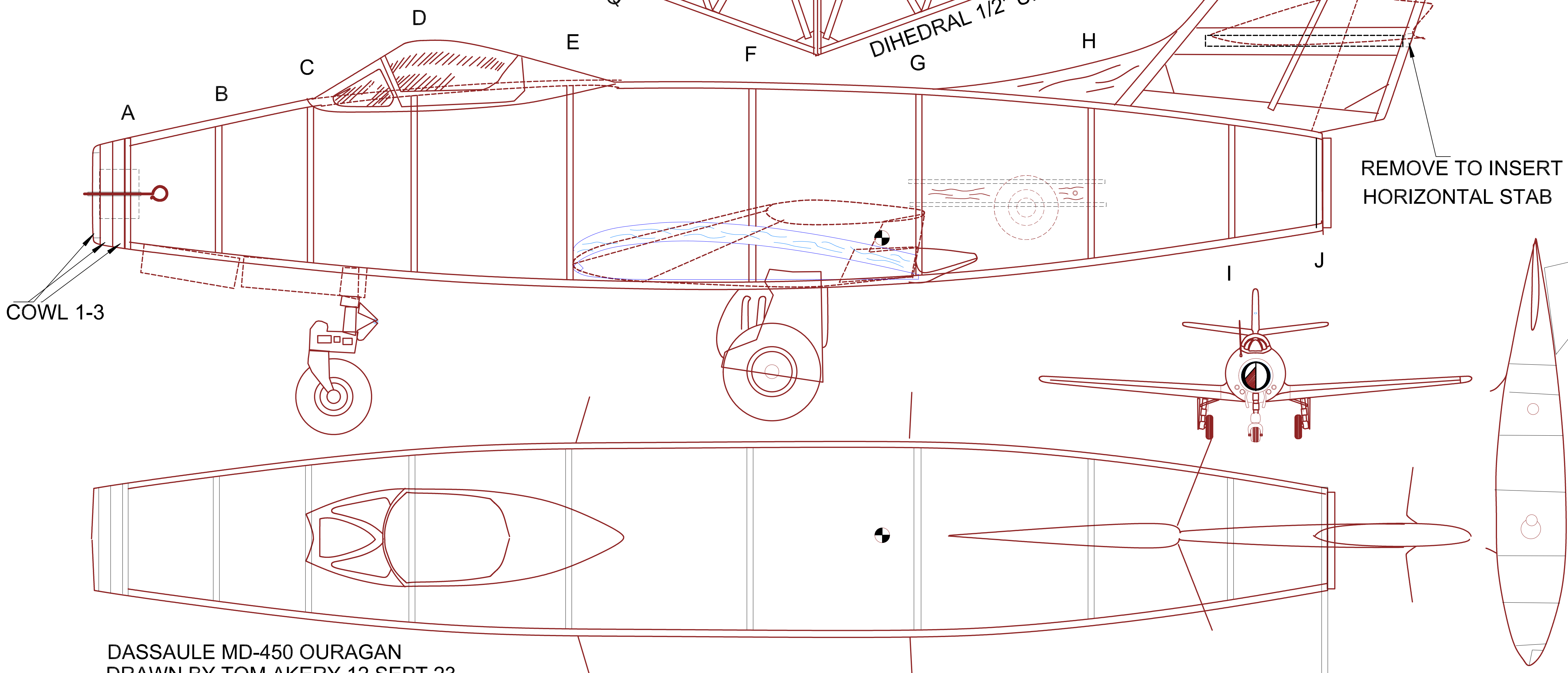
DIHEDRAL BREAK

STAB 1/16" SQ

DIHEDRAL 1/2" UNDER EACH TIP

REMOVE TO INSERT HORIZONTAL STAB

2 LAMS 1/32" CROSSGRAIN



COWL 1-3

DASSAULE MD-450 OURAGAN  
DRAWN BY TOM AKERY 12 SEPT 23  
27" SPAN RUBBER POWERED

DIHEDRAL BREAKS

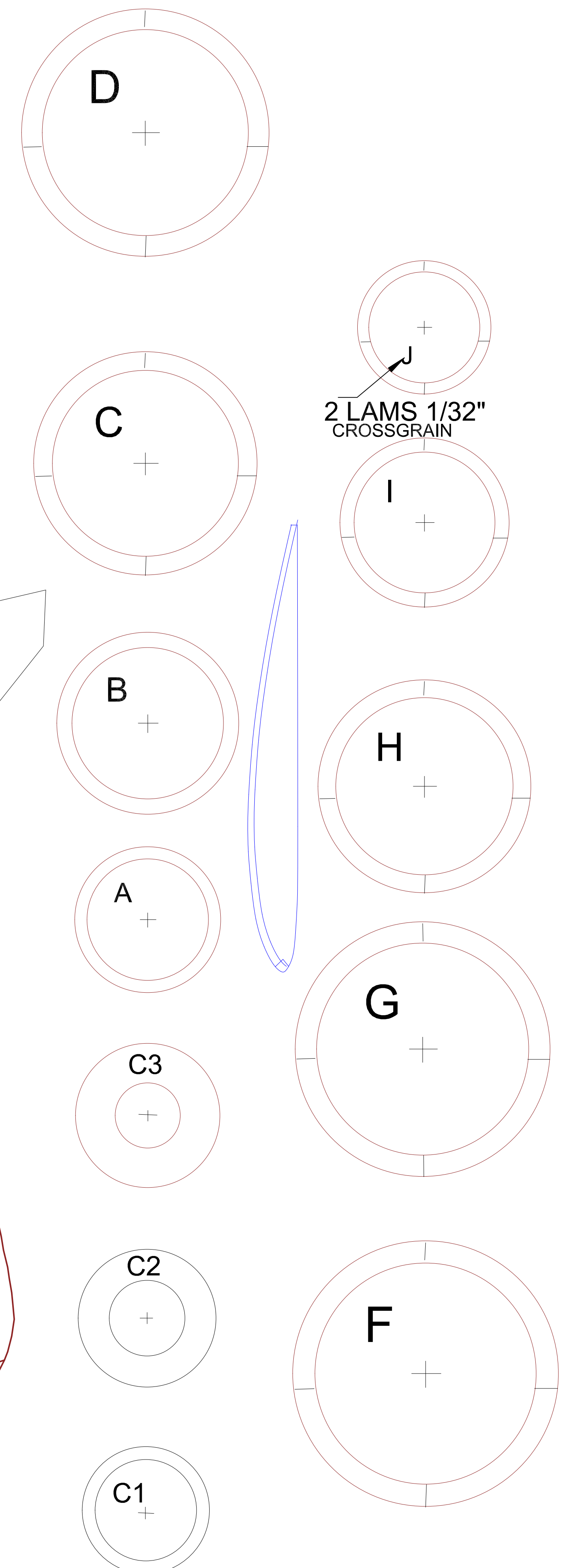
T.E. 1/16"X1/8"

RIBS 1/16" SHEET

SPAR 1/16" SHEET

L.E. 3/32" SQ

DIHEDRAL 1.5" UNDER EACH TIP



FUSELAGE FORMERS CUT FROM 1/16" SHEET OR LAMINATE 1/32"X1/16" STRIPS

# DASSAULT MD-450 OURAGAN