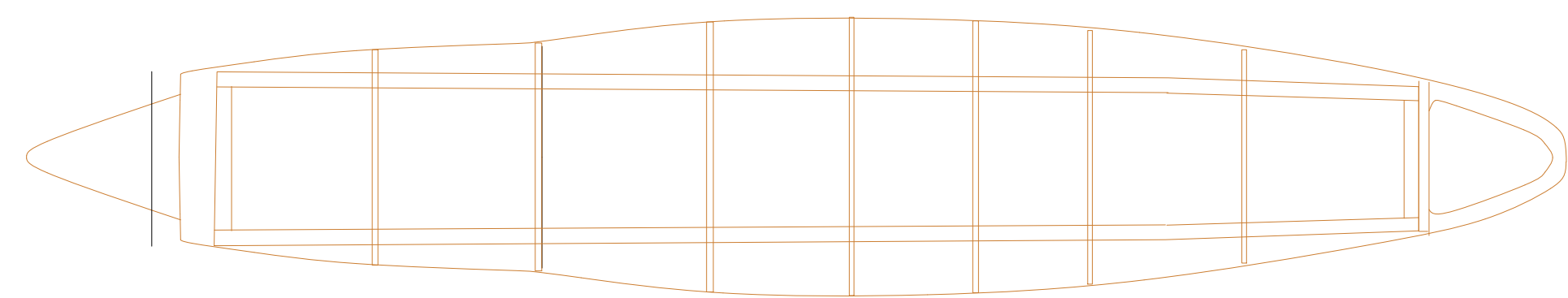
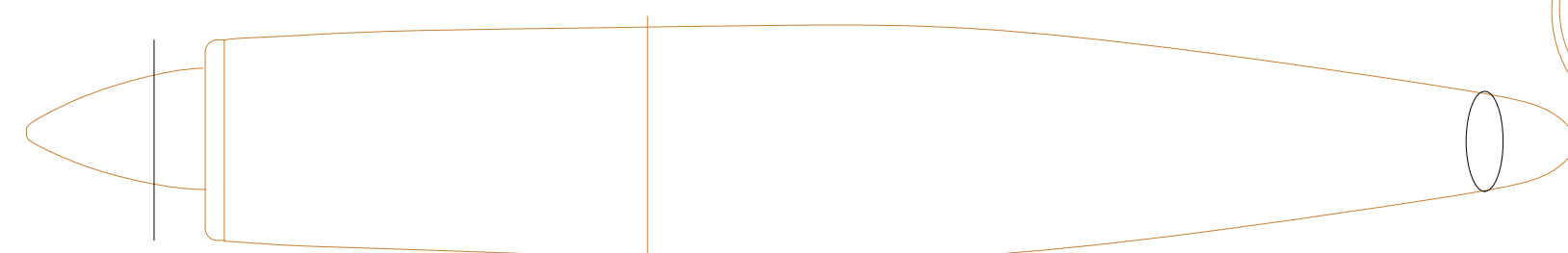
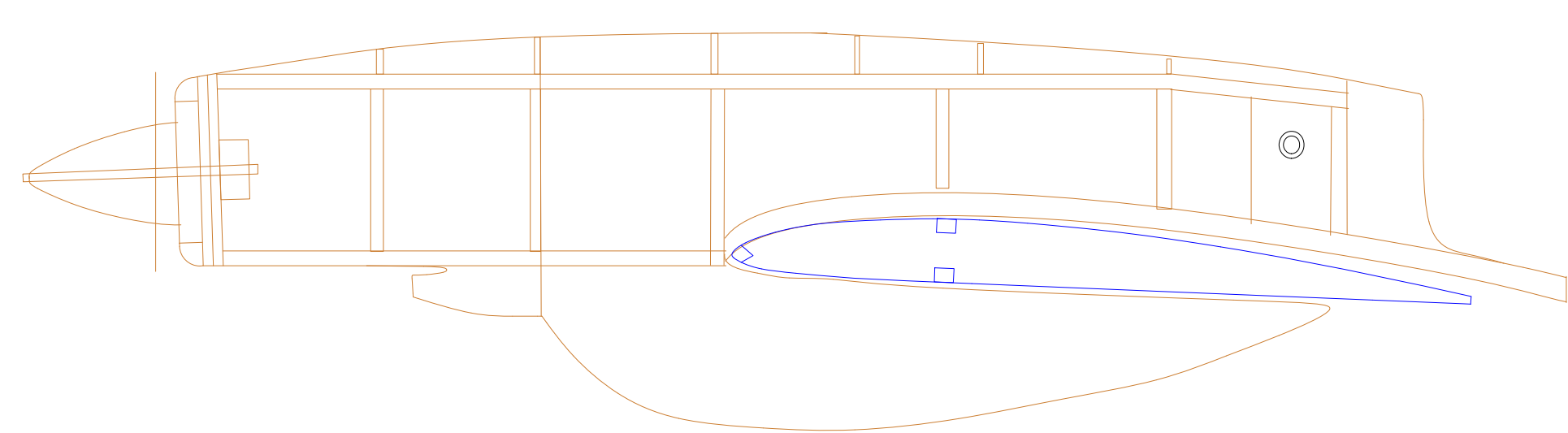


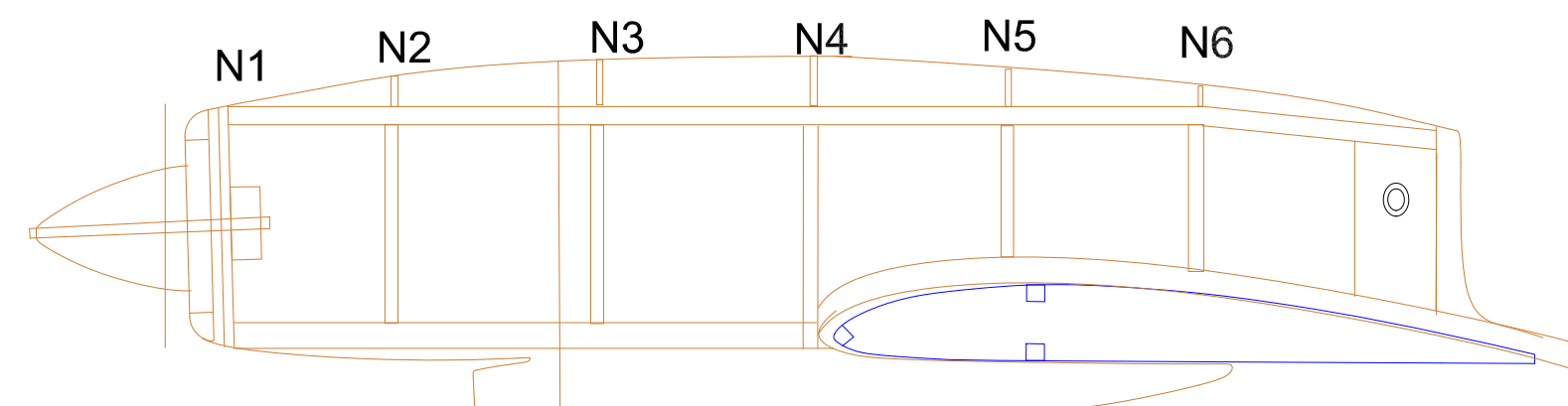
INBOARD NACELLE



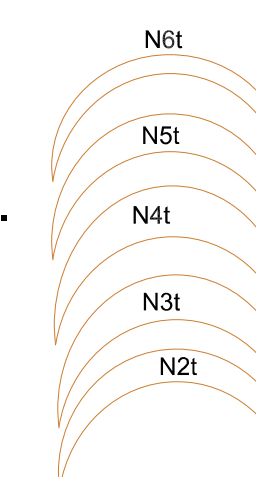
NACELLES BUILD 1/16" SQ BOX FRAME OR 1/32" TUBES



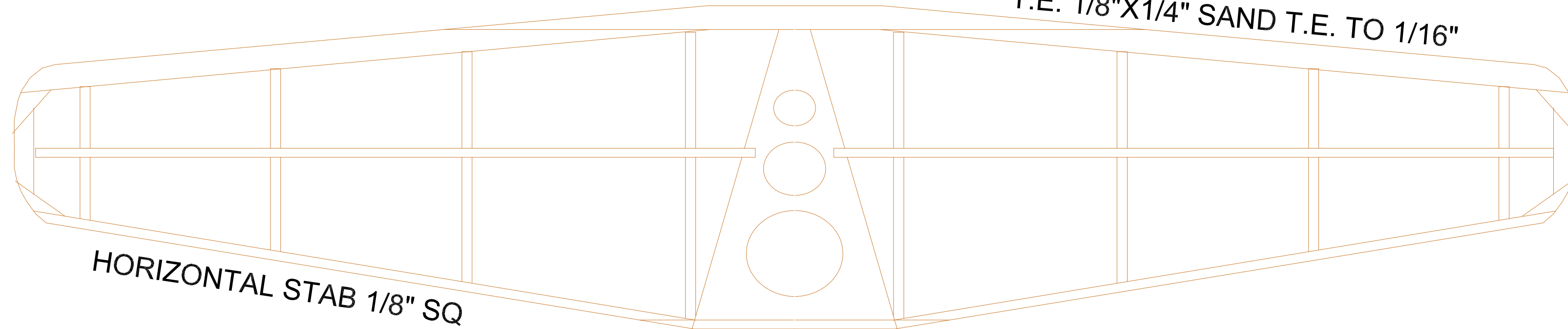
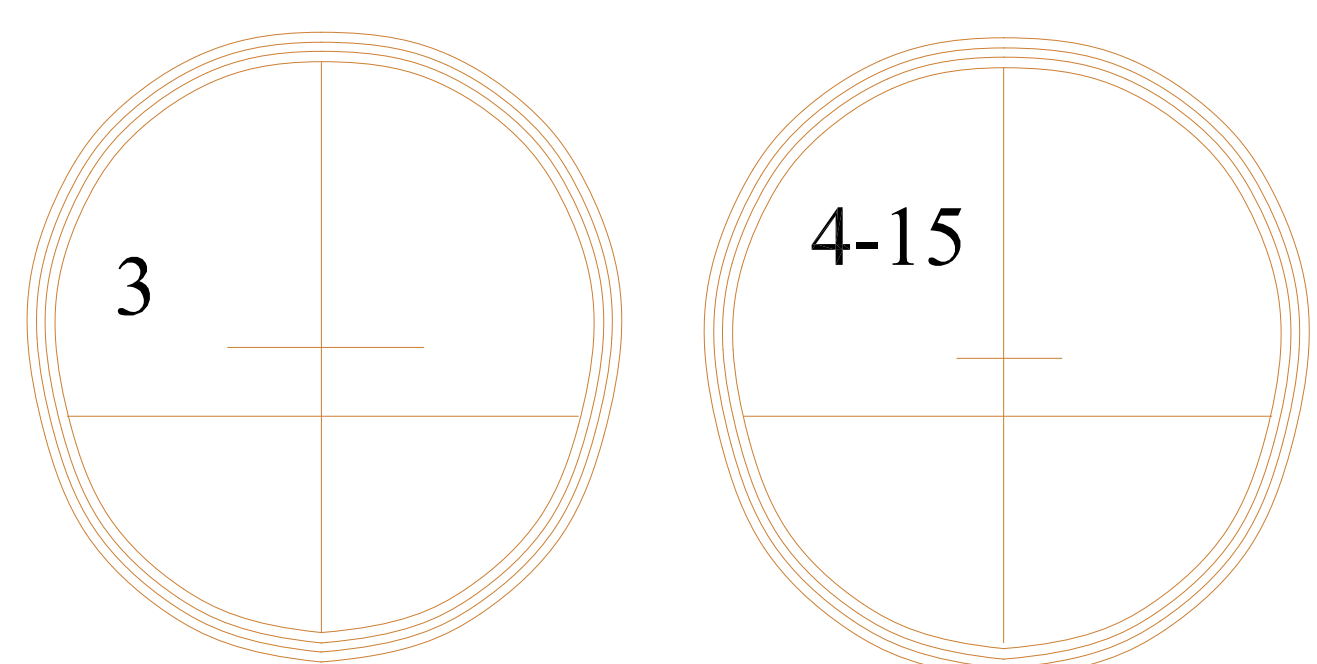
OUTER NACELLE



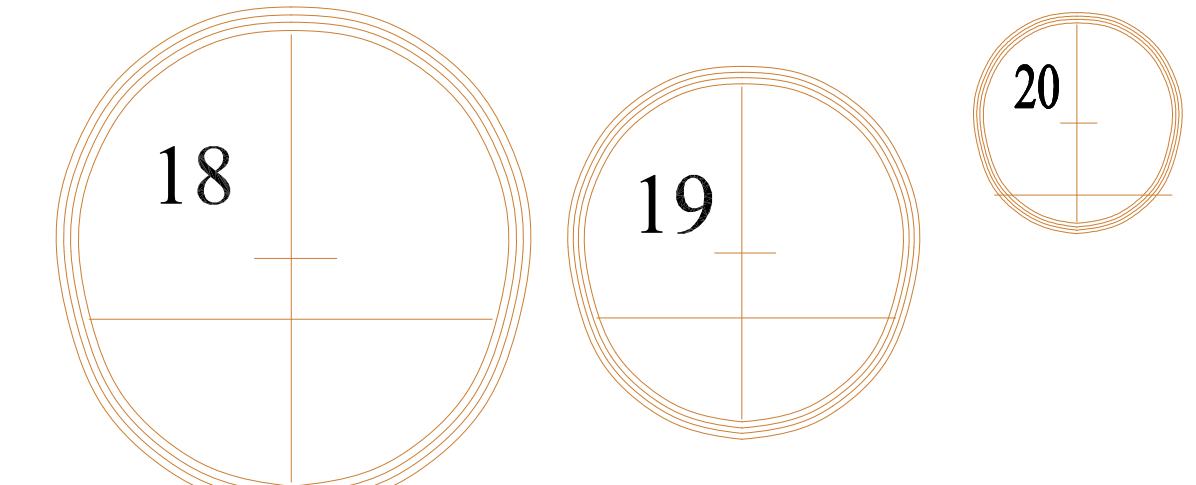
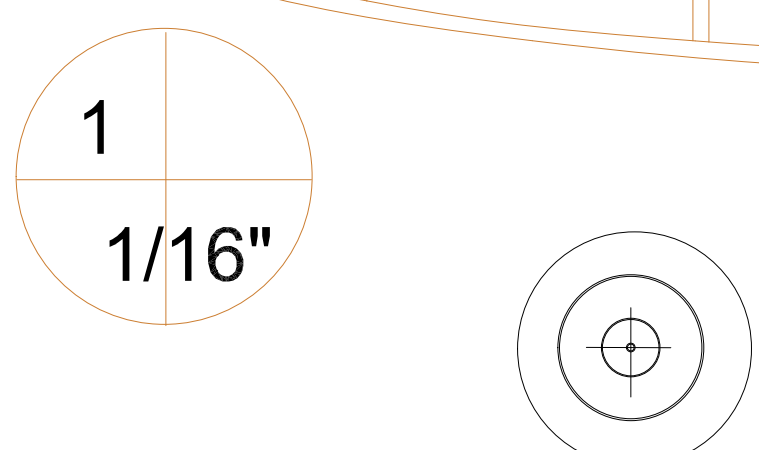
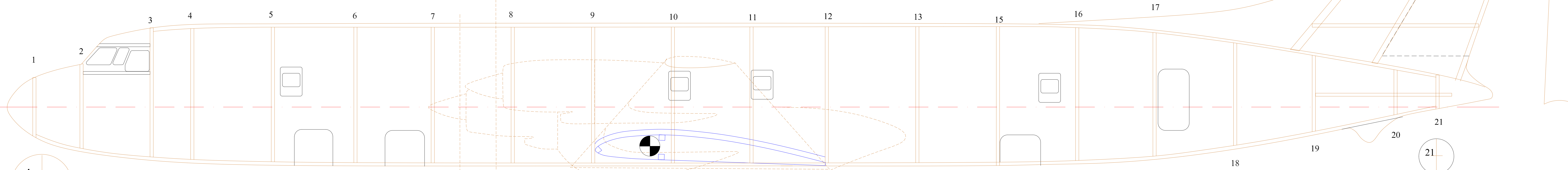
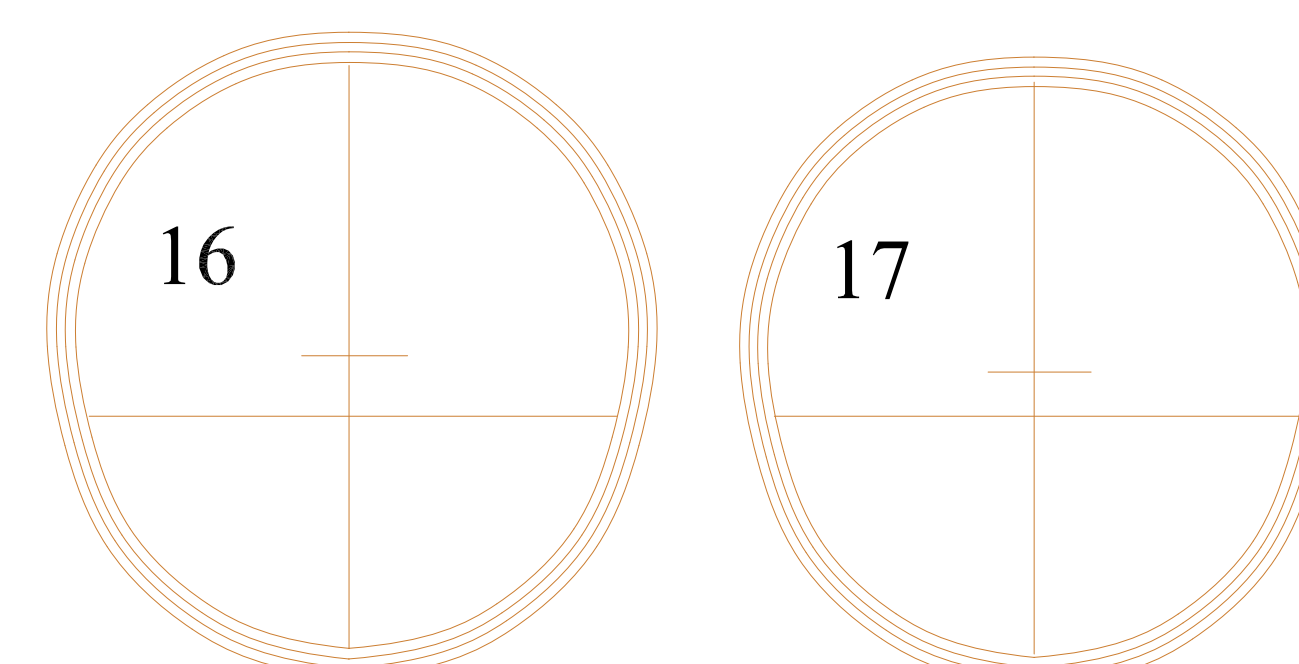
ANOTHER OPTION IS TO MAKE A Balsa TUBE OF 1/32" SHEET Balsa OF THE PROPER DIAMETER AND FITTING IT TO THE WING USING THE NOSE/PROPBLOCK AS ABOVE.



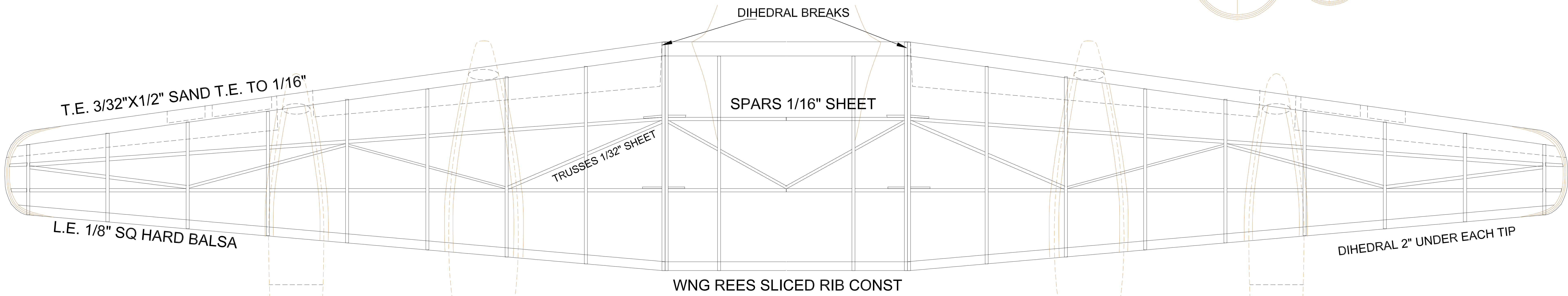
REMOVE TO FIT TO WING CARVE FROM Balsa OR FOAM



T.E. 1/8"X1/4" SAND T.E. TO 1/16"



DIHEDRAL BREAKS



T.E. 3/32"X1/2" SAND T.E. TO 1/16"

SPARS 1/16" SHEET

TRUSSES 1/32" SHEET

WNG REES SLICED RIB CONST

DIHEDRAL 2" UNDER EACH TIP

DOUGLAS DC-7D/T
40" SPAN 4 RUBBER ENGINES
DRAWN BY TOM AKERY 7 JUNE 24

