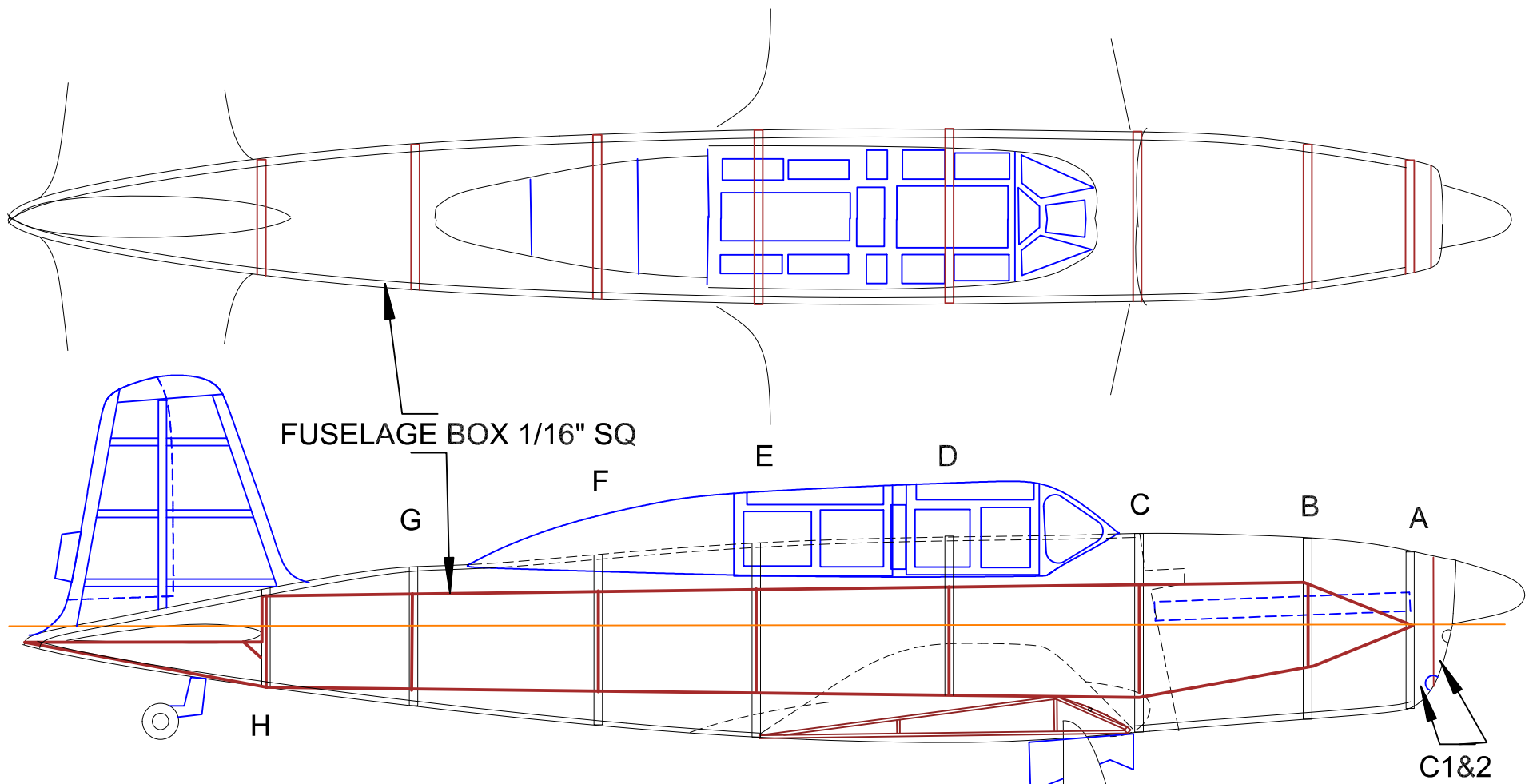
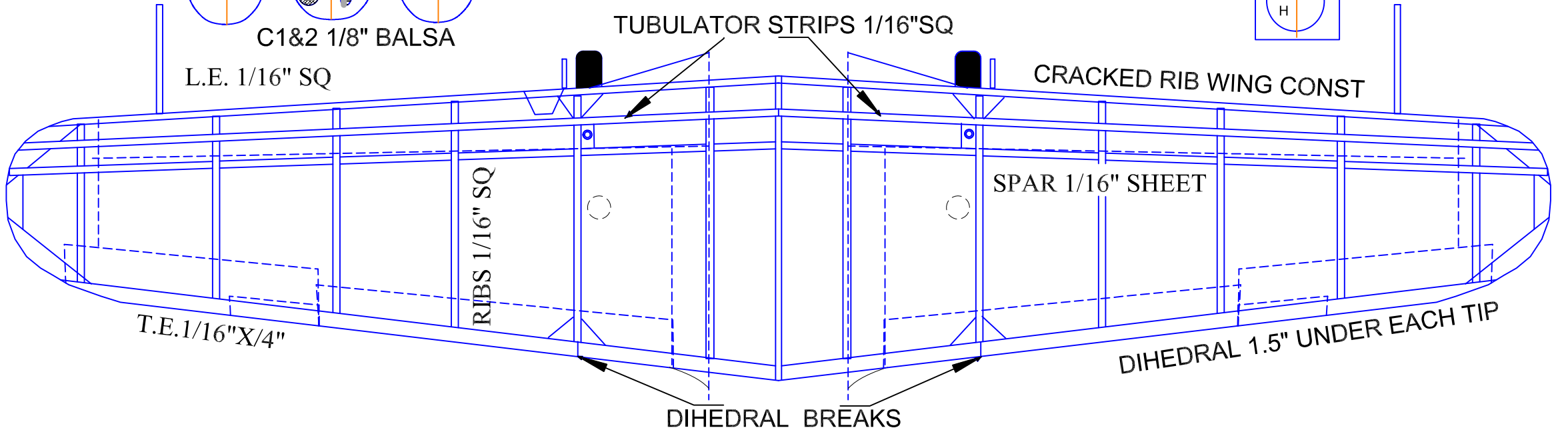


C1&2 1/8" Balsa

FORMERS 1/16" Balsa A-H
TUBULATOR STRIPS 1/16" SQ

L.E. 1/16" SQ

CRACKED RIB WING CONST



FIAT G-46

13" SPAN FREE FLIGHT
DRAWN BY TOM AKERY
17 SEPT 2024

