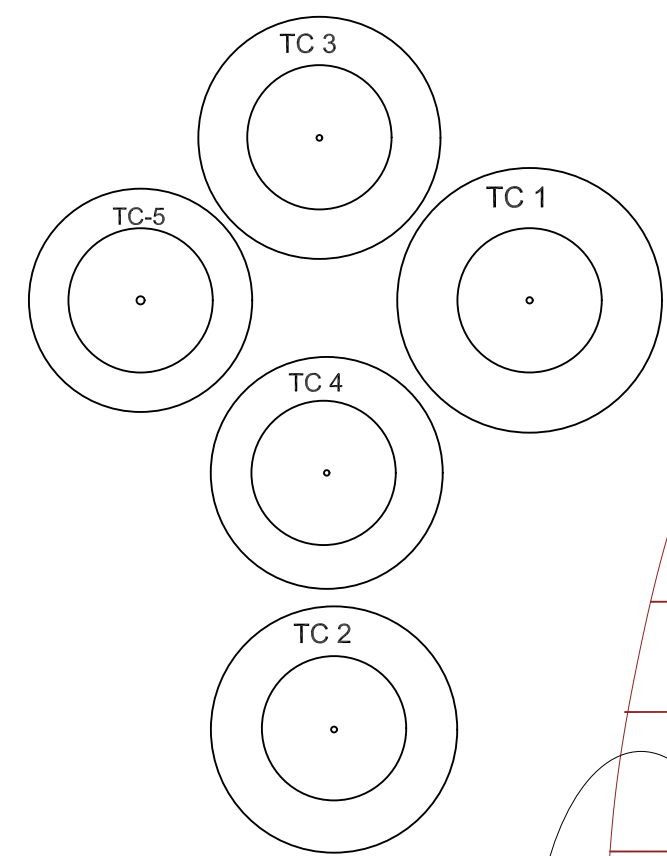
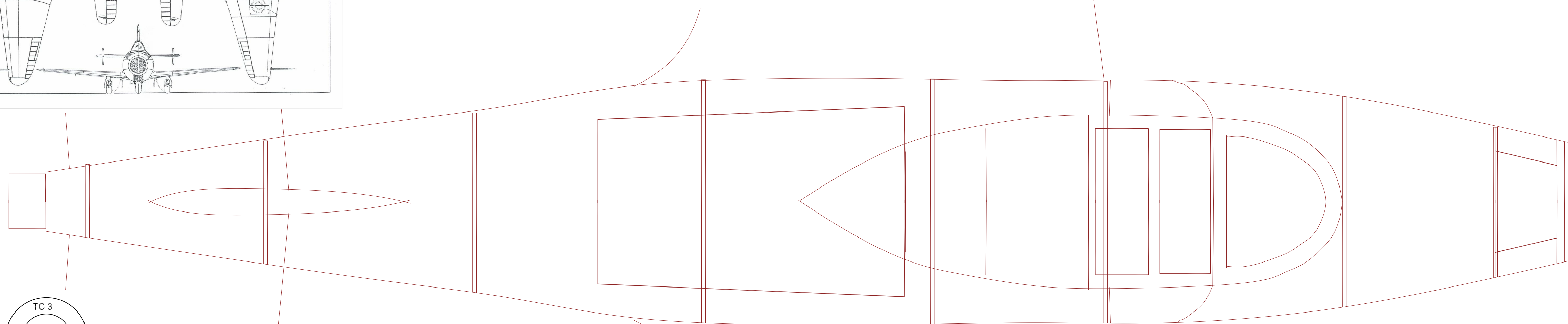
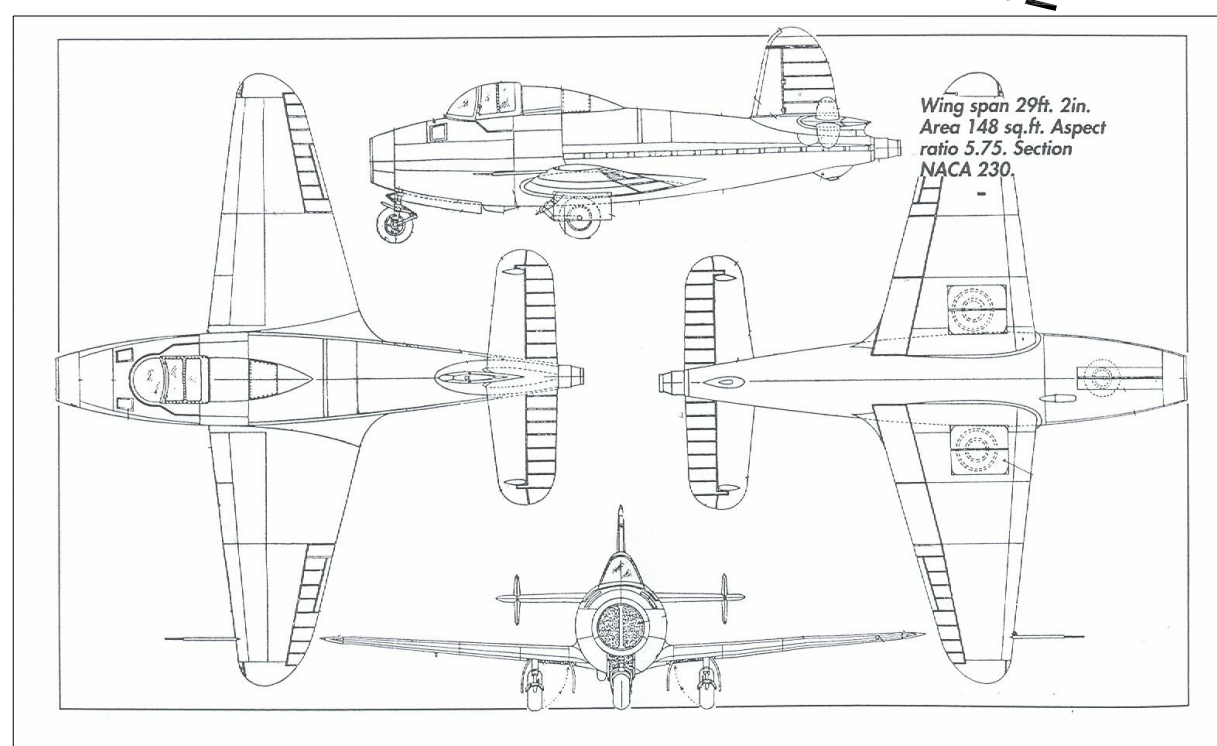
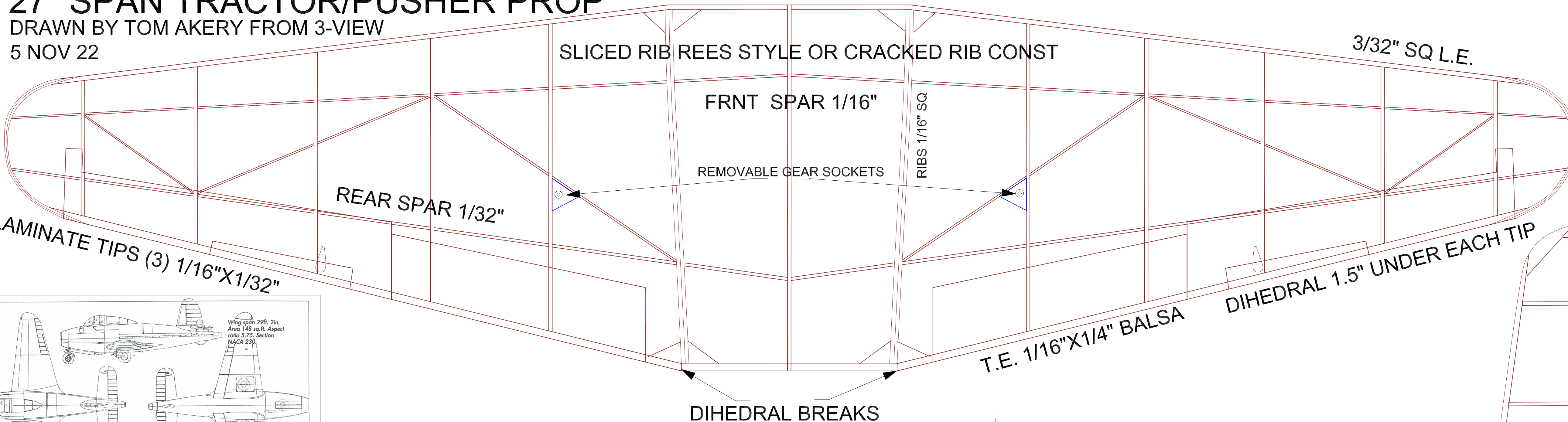


GLOSTER (WHITTLE) E.28/39 PIONEER

27" SPAN TRACTOR/PUSHER PROP

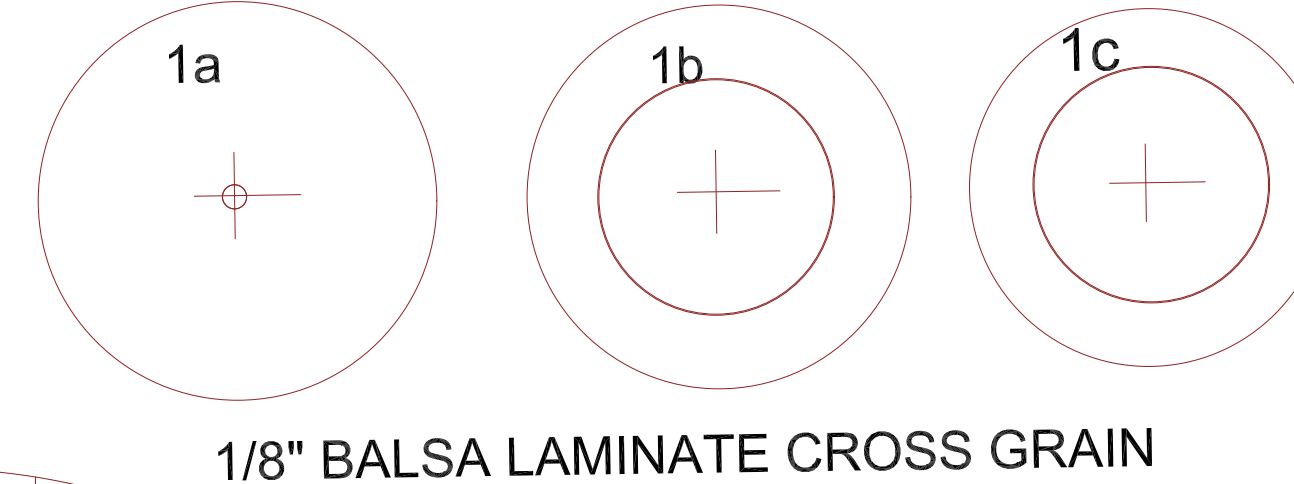
DRAWN BY TOM AKERY FROM 3-VIEW

5 NOV 22

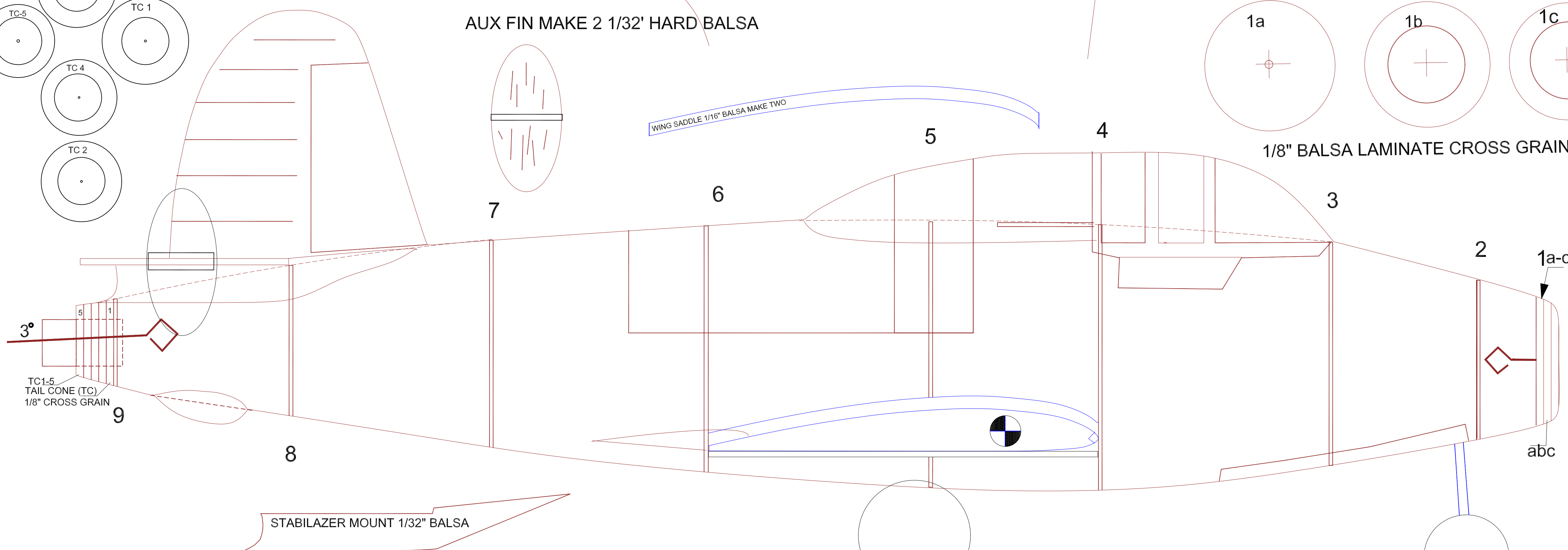


AUX FIN MAKE 2 1/32" HARD BALS

WING SADDLE 1/16" BALS MAKE TWO



1/8" BALS LAMINATE CROSS GRAIN



LAMINATE 3 STRIPS 1/32"X1/16" AROUND FUSELAGE PATTERNS

