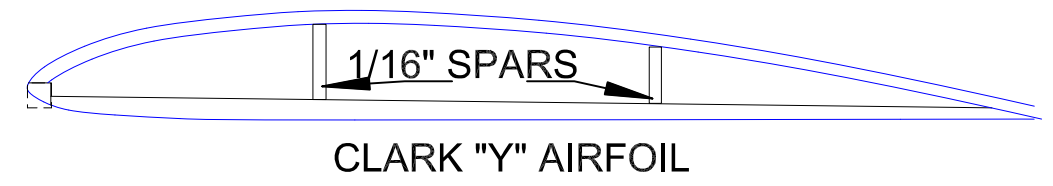


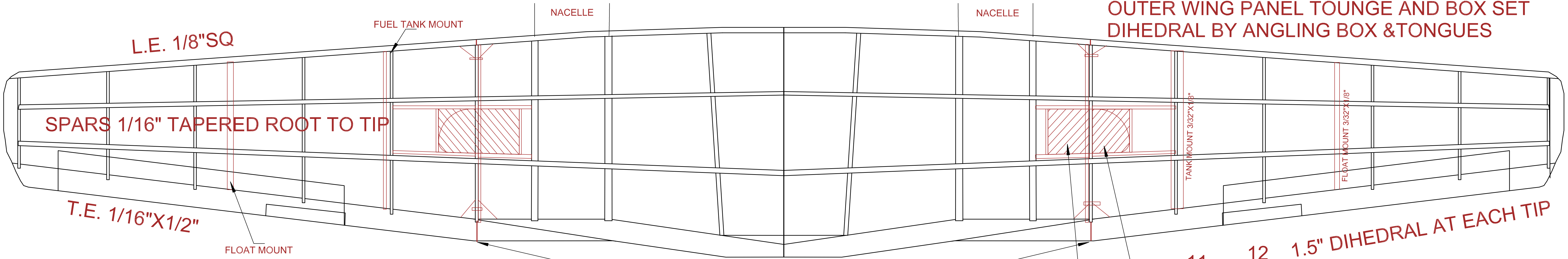
TONGUE 1/8" Balsa MAKE 2 BOX 1/16"x1/8"



CLARK "Y" AIRFOIL

REE'S SLICED RIB (1/16") WING CONST

OUTER WING PANEL TONGUE AND BOX SET DIHEDRAL BY ANGLING BOX & TONGUES



L.E. 1/8" SQ

SPARS 1/16" TAPERED ROOT TO TIP

T.E. 1/16"x1/2"

FLOAT MOUNT

FUEL TANK MOUNT

NACELLE

NACELLE

TANK MOUNT 3/32"x1/8"

FLOAT MOUNT 3/32"x1/8"

DIHEDRAL BREAKS

1/16" SHEET TOP AND BOTTOM

11

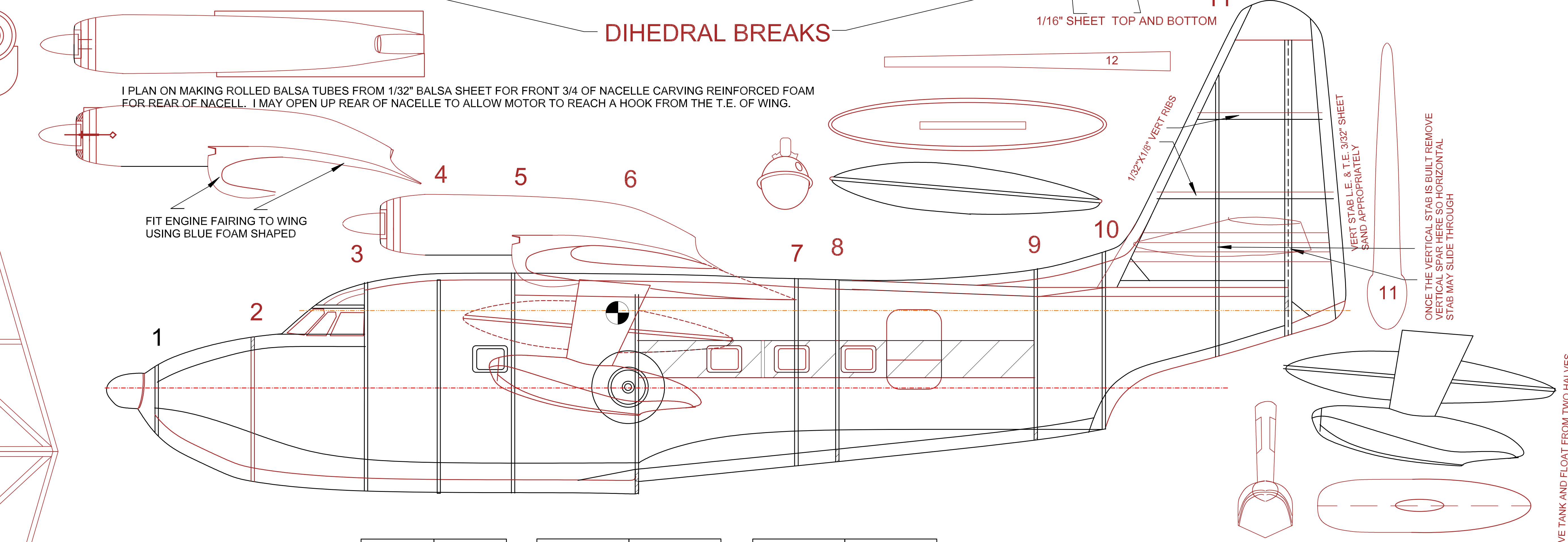
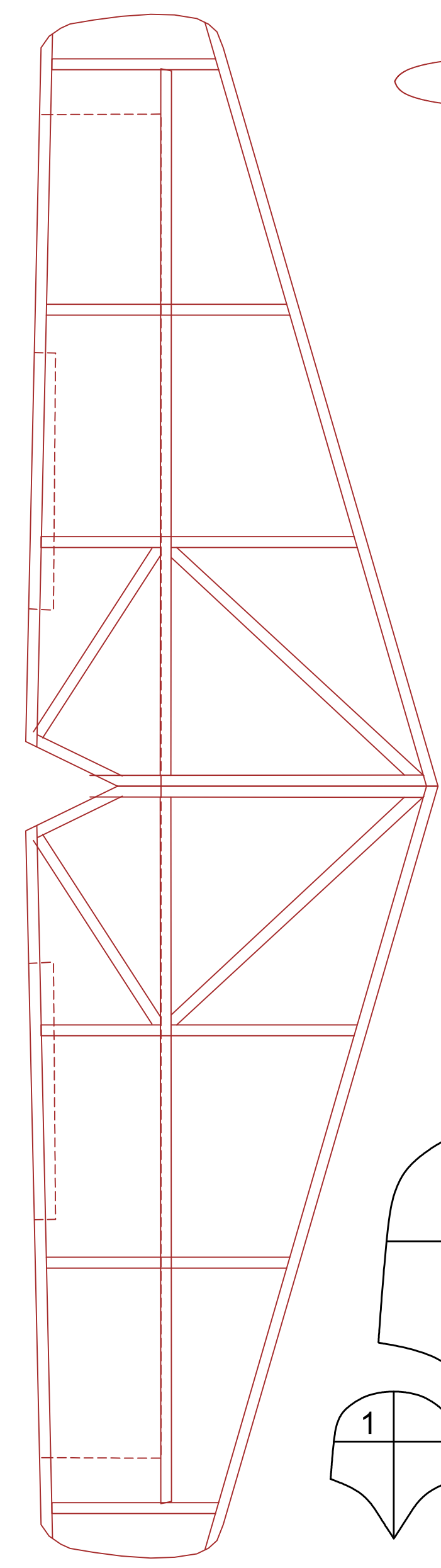
12

1.5" DIHEDRAL AT EACH TIP

TURBO ALBATROSS 36" SPAN
DRAWN BY TOM AKERY 6 JUNE 2022

I PLAN ON MAKING ROLLED Balsa TUBES FROM 1/32" Balsa SHEET FOR FRONT 3/4 OF NACELLE CARVING REINFORCED FOAM FOR REAR OF NACELLE. I MAY OPEN UP REAR OF NACELLE TO ALLOW MOTOR TO REACH A HOOK FROM THE T.E. OF WING.

FIT ENGINE FAIRING TO WING USING BLUE FOAM SHAPED

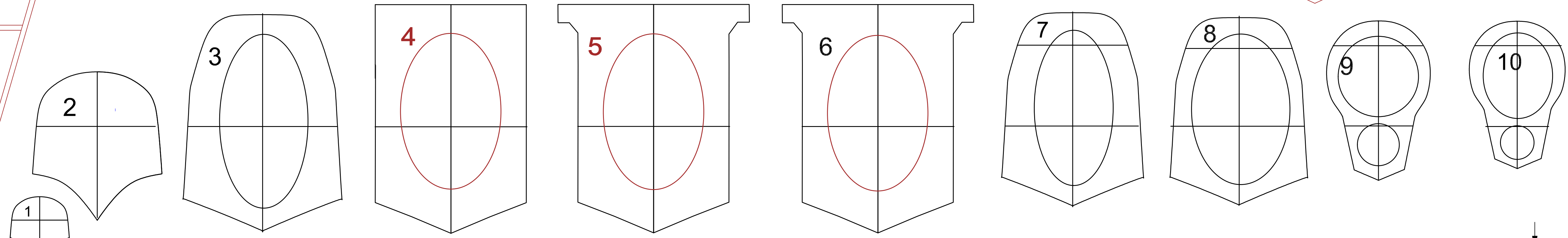


1/32"x1/8" VERT RIBS

VERT STAB L.E. & T.E. 3/32" SHEET SAND APPROPRIATELY

ONCE THE VERTICAL STAB IS BUILT REMOVE VERTICAL SPAR HERE SO HORIZONTAL STAB MAY SLIDE THROUGH

CARVE TANK AND FLOAT FROM TWO HALVES Balsa OR FOAM AND HOLLOW OUT



HORIZONTAL STAB DIHEDRAL ANGLE JIG

BUILD FUSELAGE ON A LADDER JIG HOLDING THE FUSELAGE FORMERS IN PLACE USING THE MARKING ON EACH FORMER

7/16 in