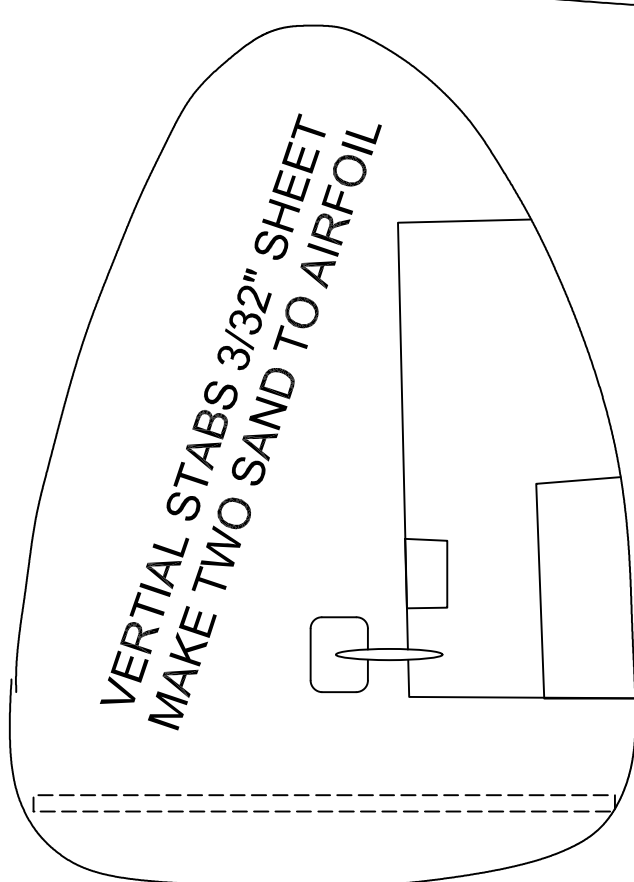
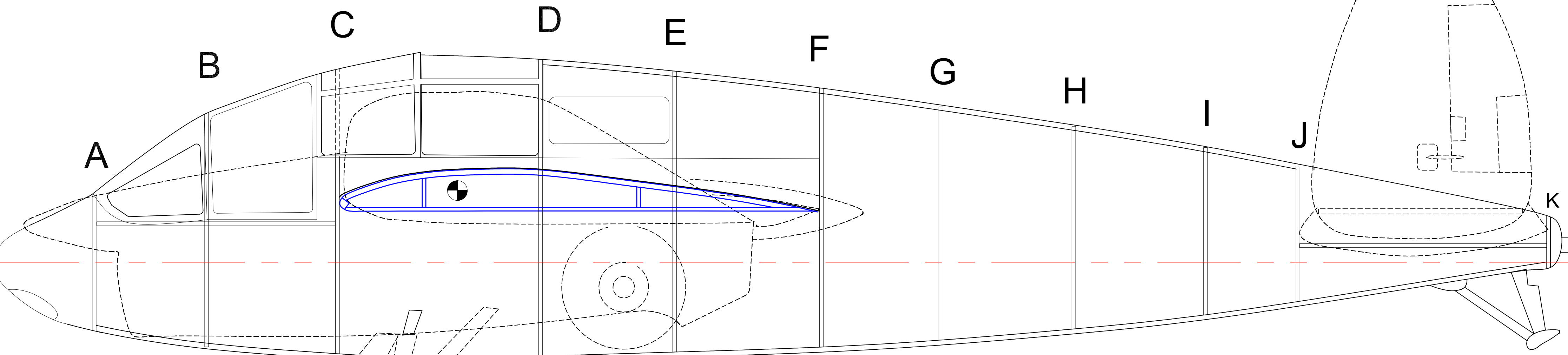
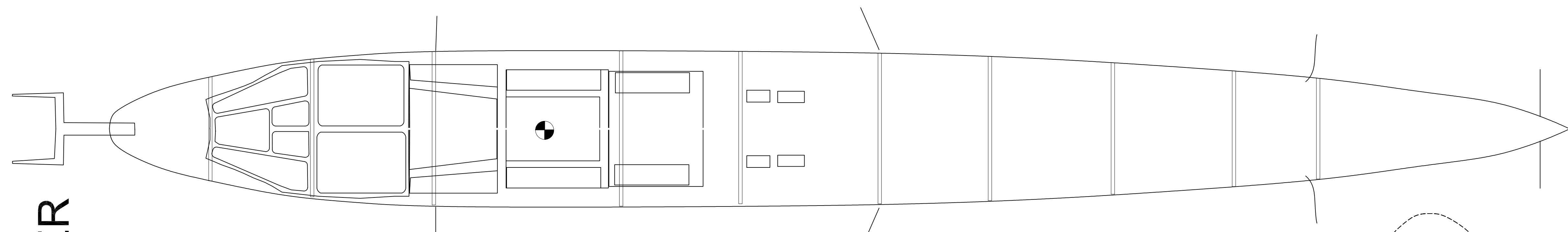


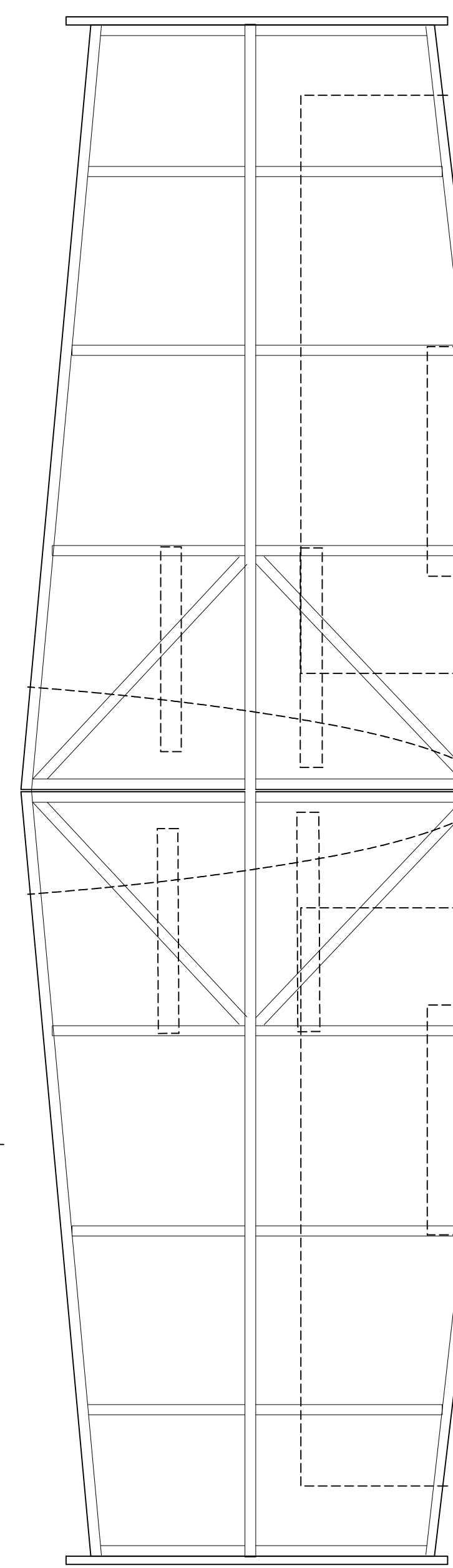
HANRIOT H.232

36.5" SPAN TWIN RUBBER POWER
DRAWN BY TOM AKERY
11 JULY 2024

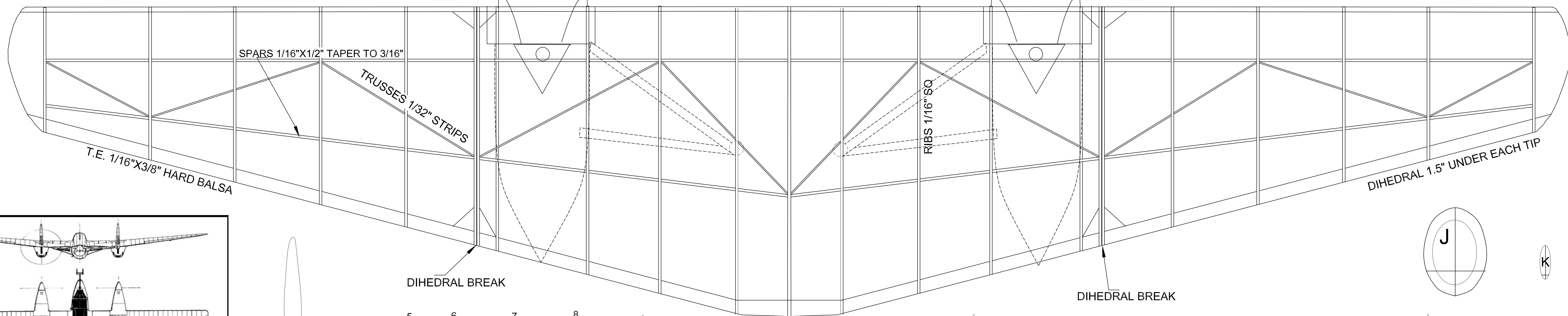
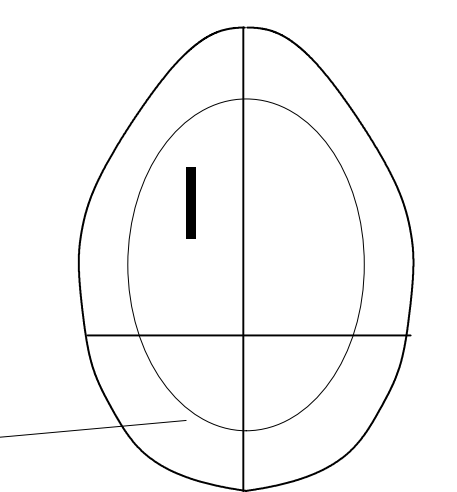
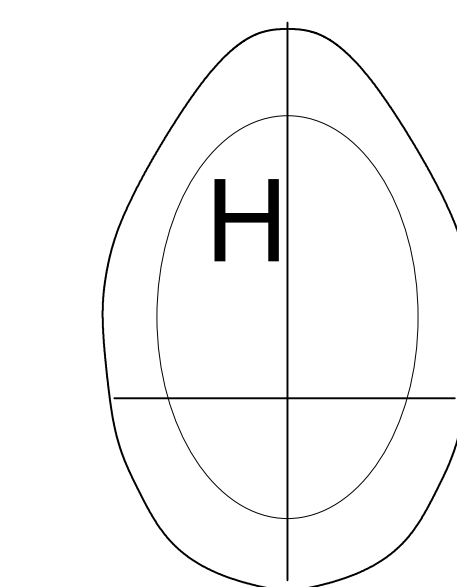
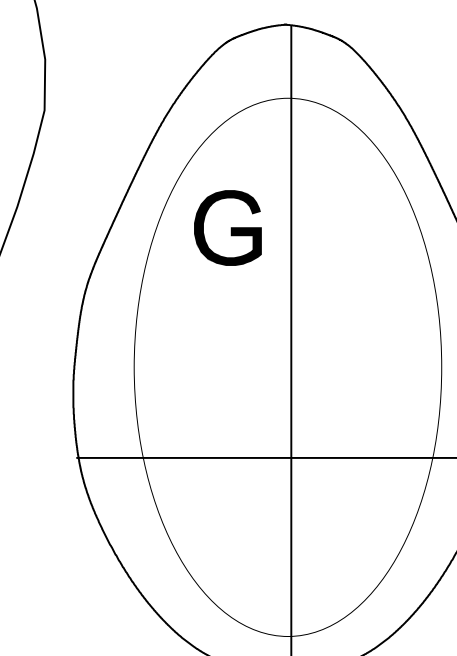
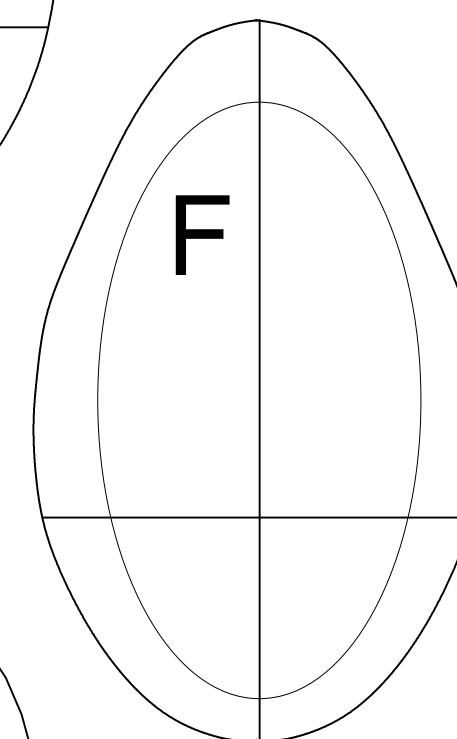
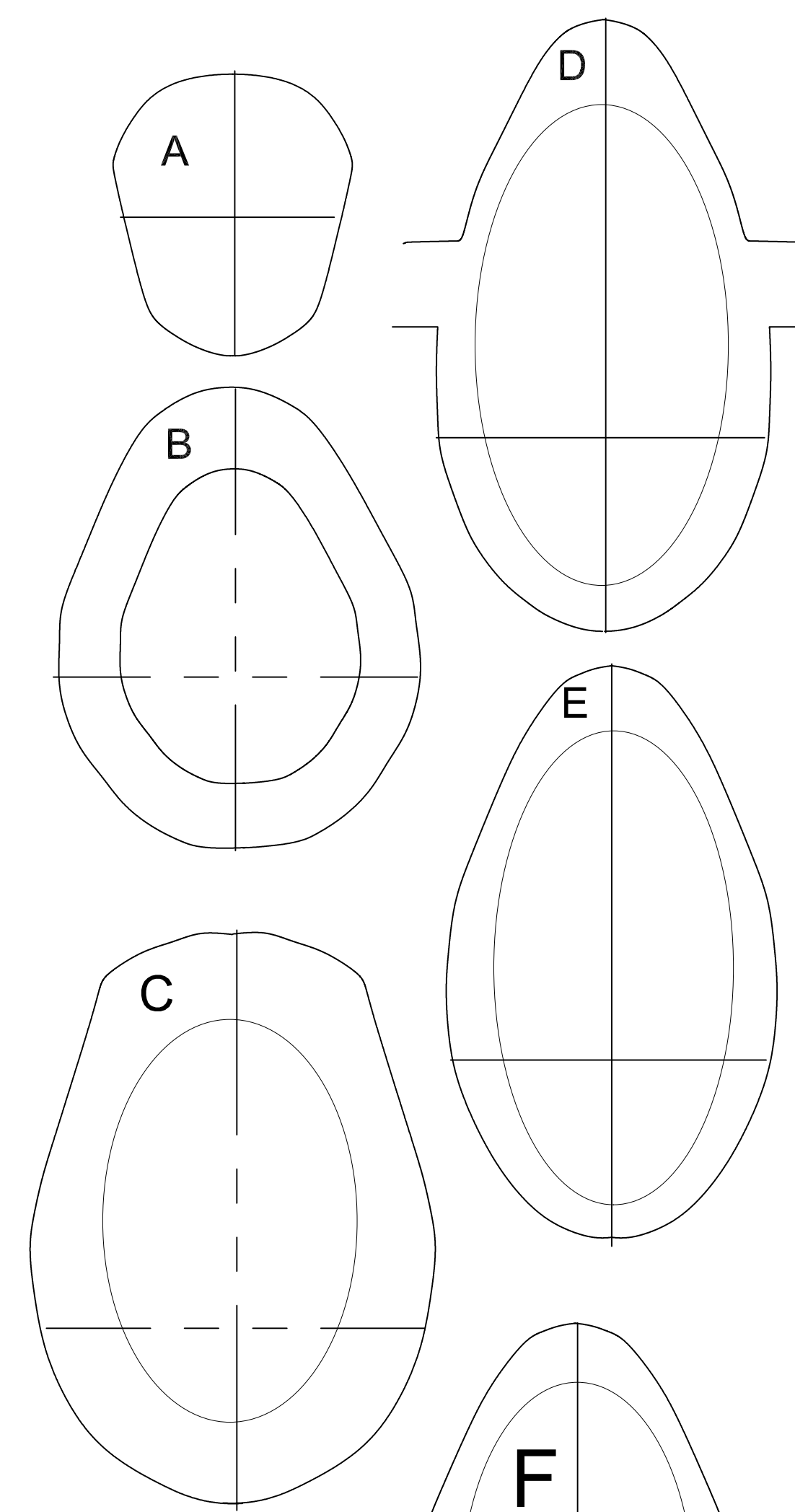


WING CONST REES SLICED RIB

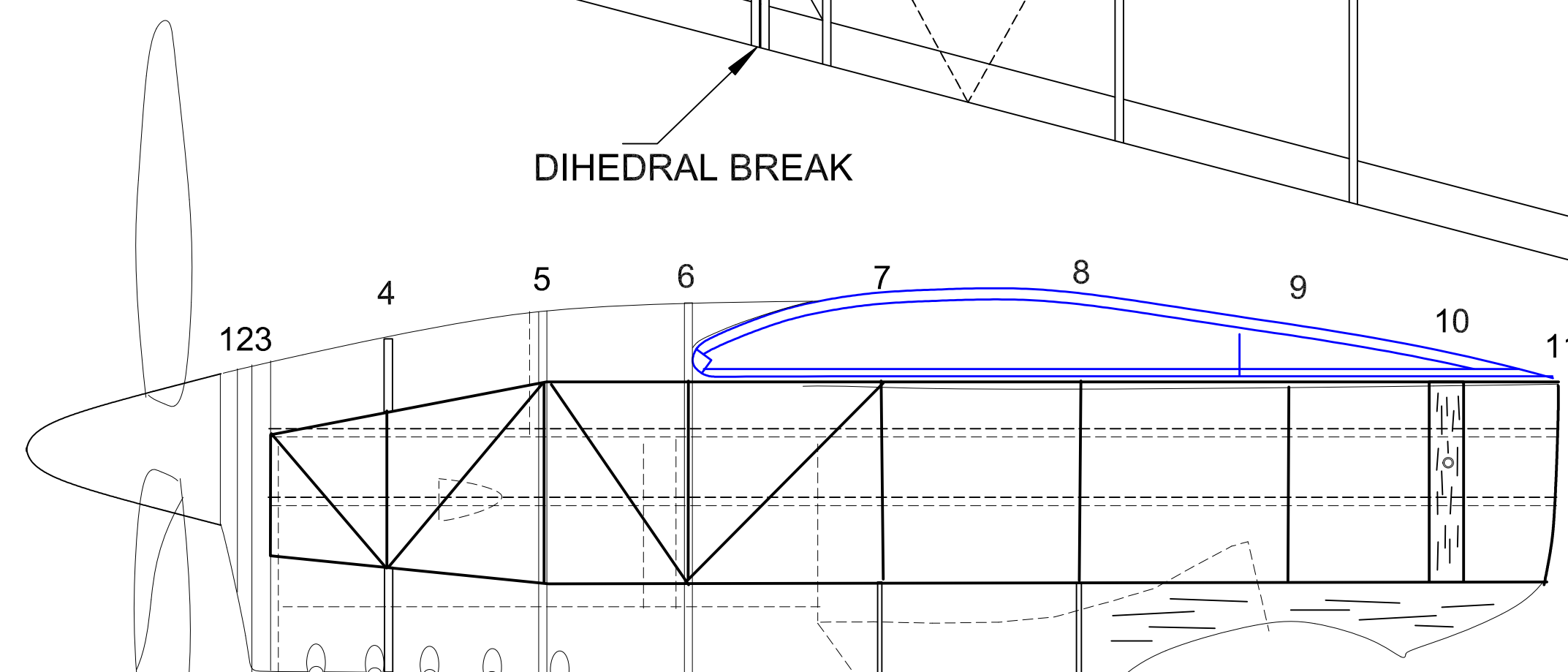
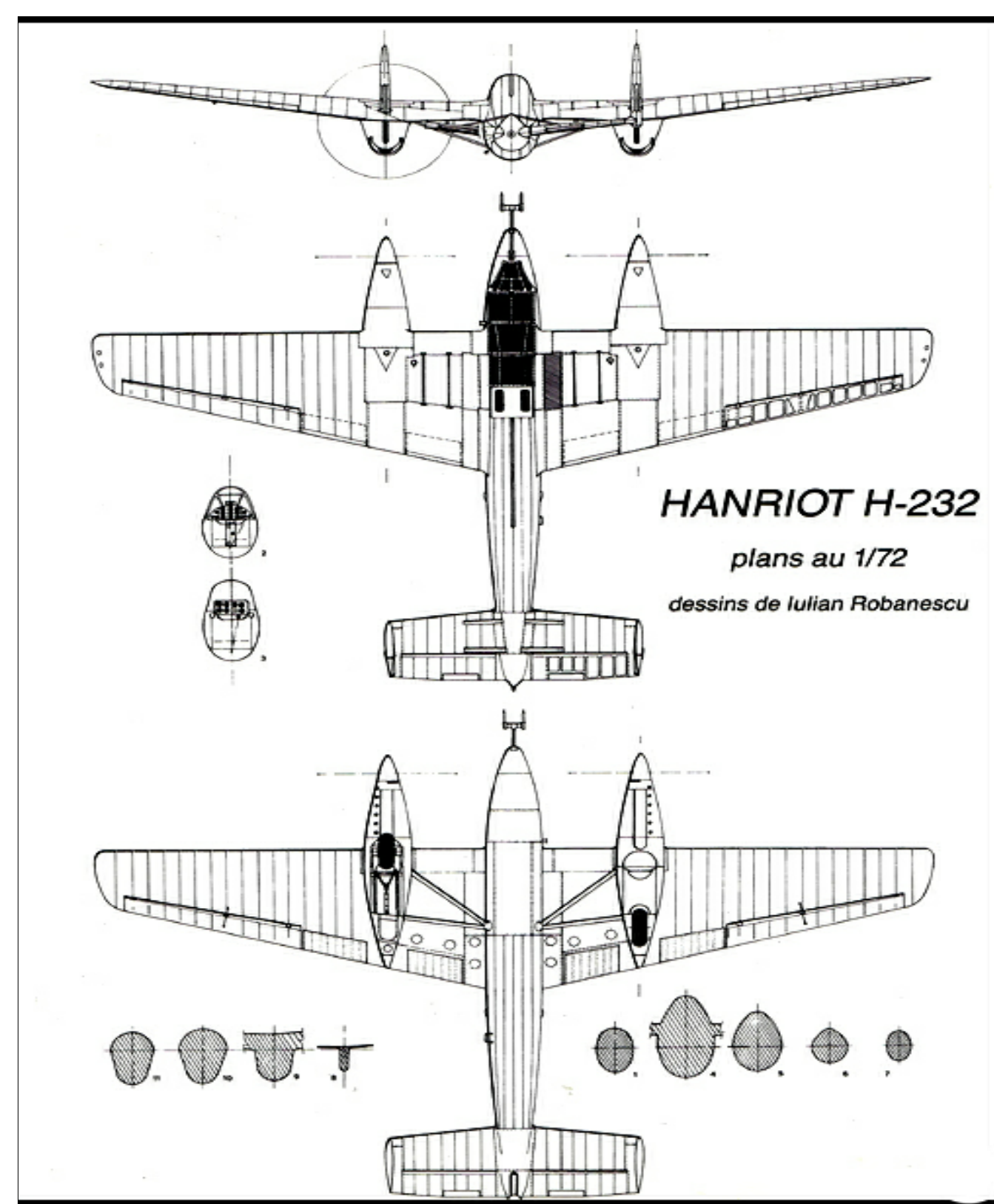
L.E. 1/8"x1/4" ON EDGE



HORIZONTAL STAB DIHEDRAL PATTERN



DIHEDRAL 1.5" UNDER EACH TIP



MAKE 4 1/16" SHEET

