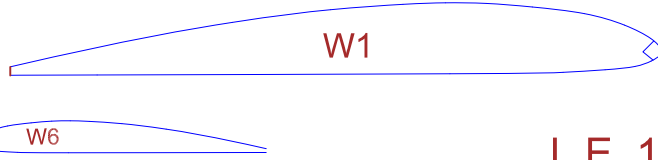
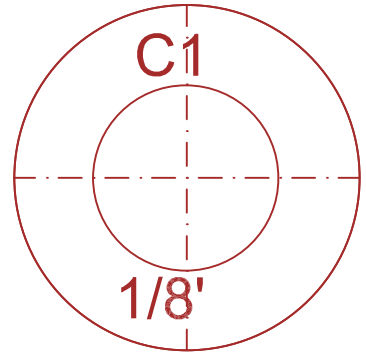
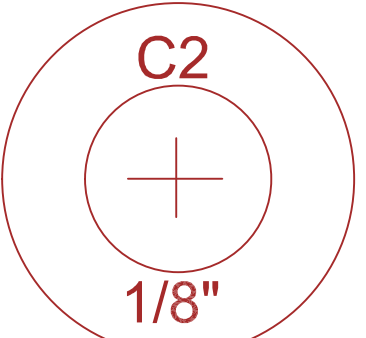
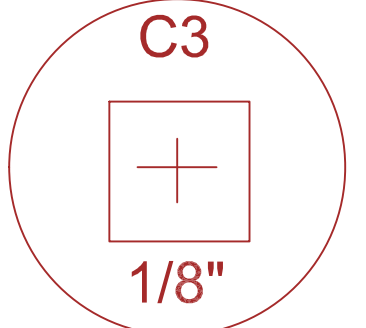
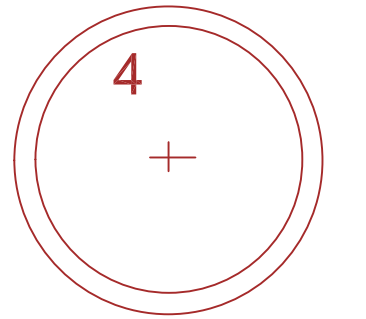
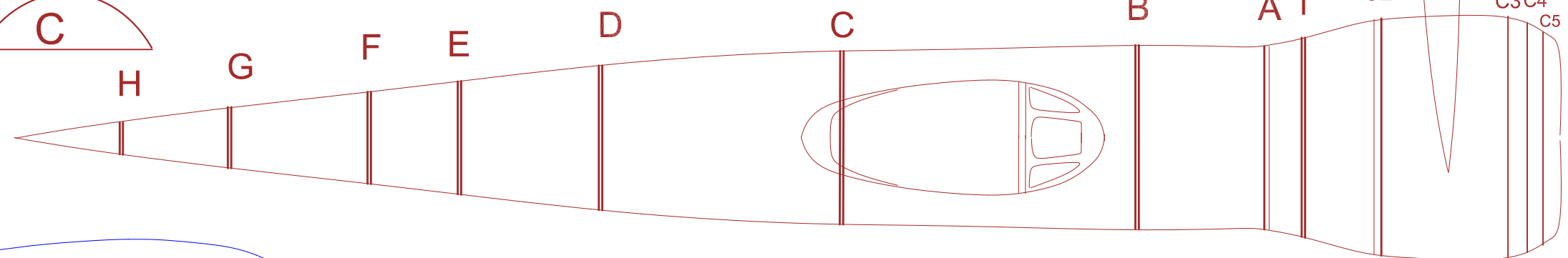
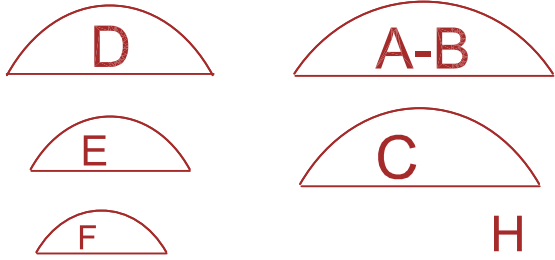
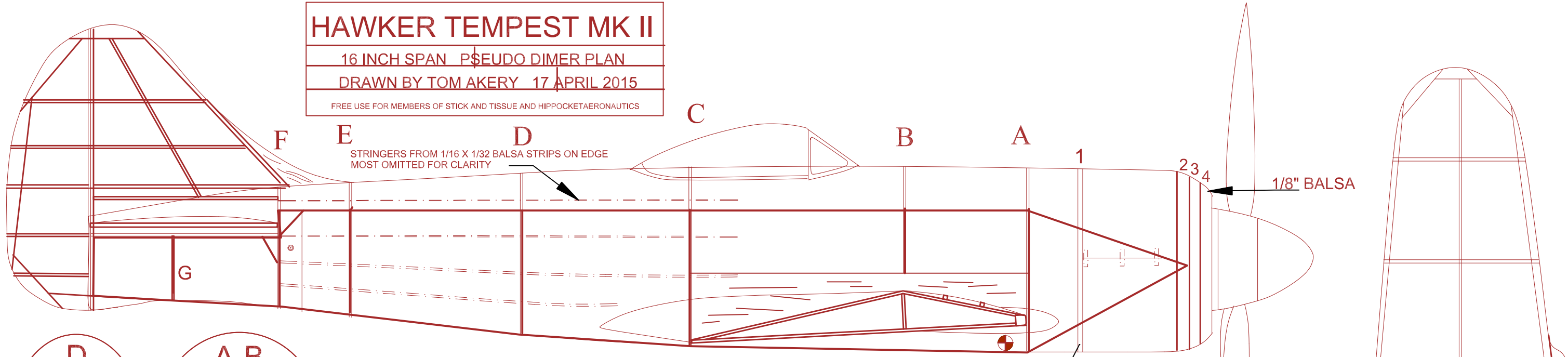
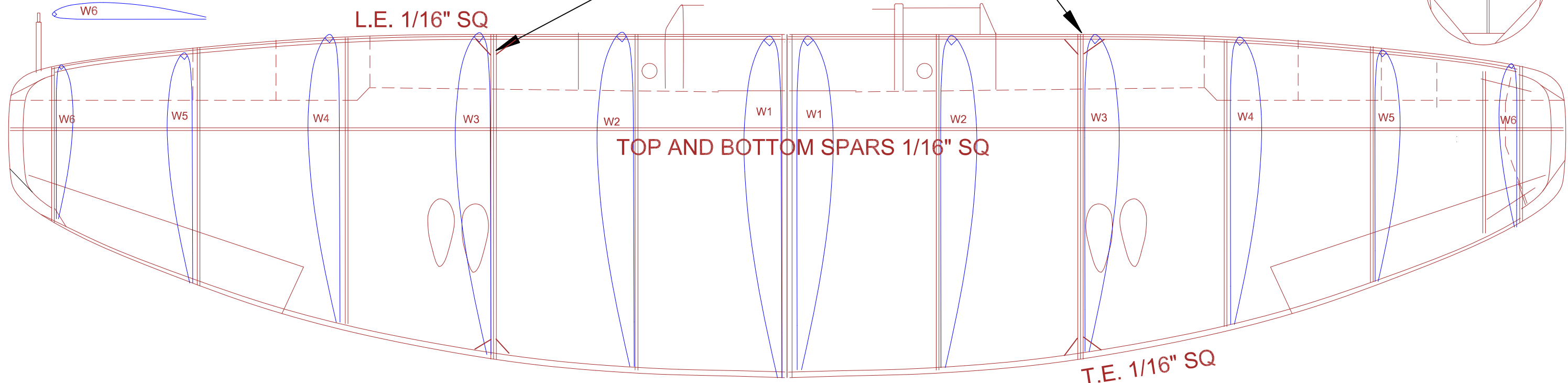


HAWKER TEMPEST MK II
 16 INCH SPAN PSEUDO DIMER PLAN
 DRAWN BY TOM AKERY 17 APRIL 2015
 FREE USE FOR MEMBERS OF STICK AND TISSUE AND HIPPOCKETAERONAUTICS

STRINGERS FROM 1/16 X 1/32 Balsa STRIPS ON EDGE
 MOST OMITTED FOR CLARITY



CENTER SECTION FLAT DIHEDRAL BREAKS 1.5" UNDER EACH TIP



TOP AND BOTTOM SPARS 1/16" SQ

T.E. 1/16" SQ