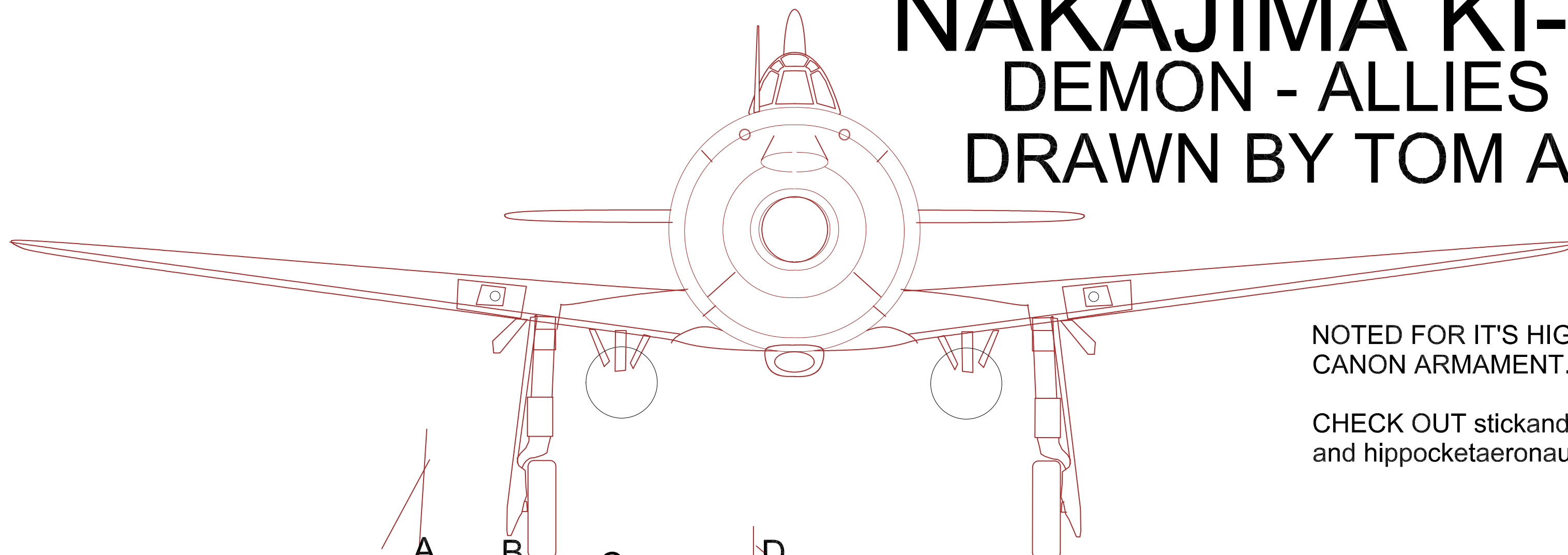


# NAKAJIMA KI-44 SHOKI 16"

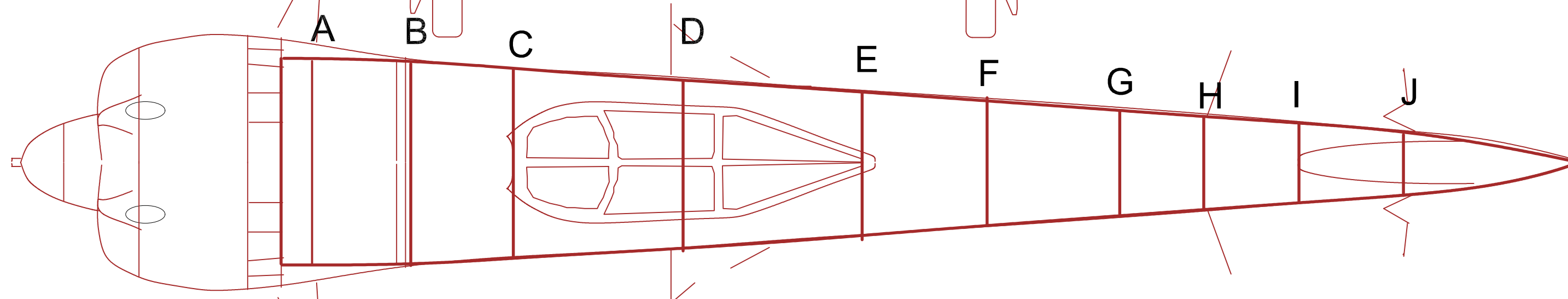
DEMON - ALLIES NAME "TOJO"

DRAWN BY TOM AKERY 3 OCT 24



NOTED FOR IT'S HIGH SPEED, RATE OF CLIMB AND  
CANON ARMAMENT. DESIGNED TO INTERCEPT B-29'S

CHECK OUT [stickandtissue.com](http://stickandtissue.com) and [FreeFlightArchive.com](http://FreeFlightArchive.com)  
and [hippocketaeronautics.com](http://hippocketaeronautics.com)



SPAR 1/16" SHEET MAKE 2

