

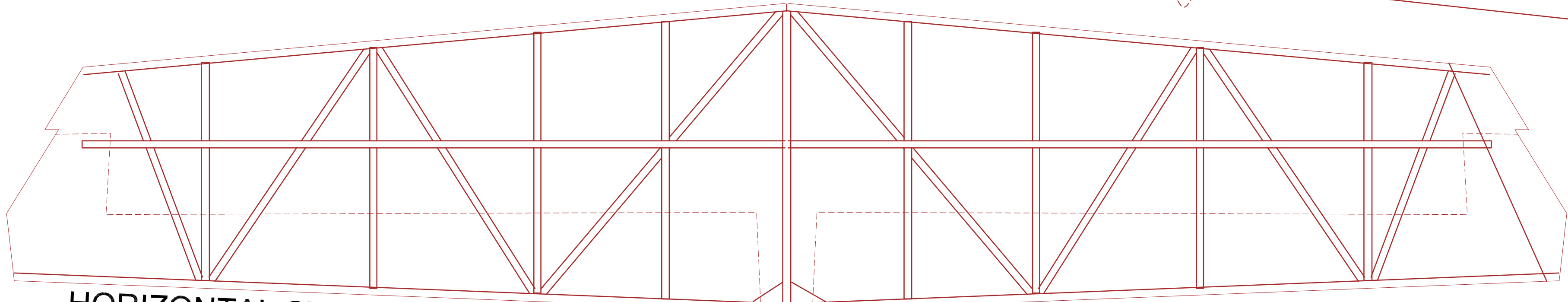
L.E. 1/4" SQ HARD Balsa ON EDGE

SPAR 1/16"X1/2" TAPER TO 3/32" ROOT TO TIP

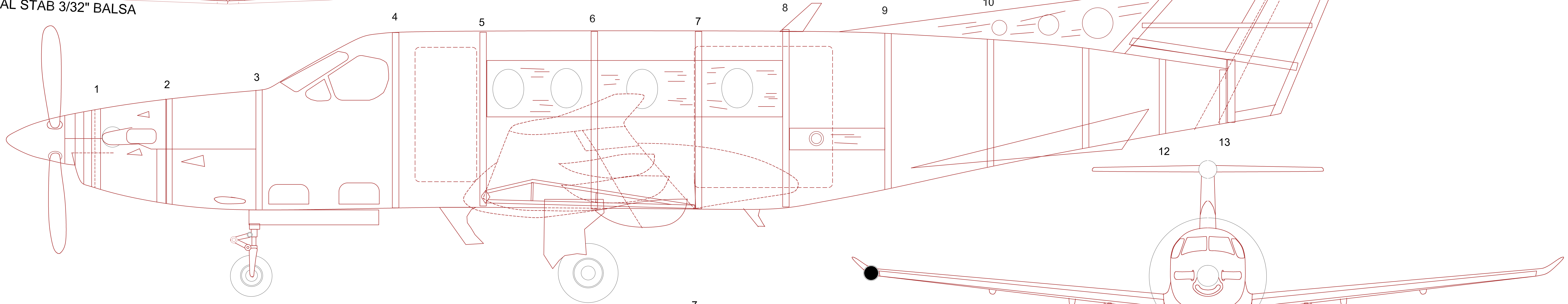
REAR SPAR 1/16"X 1/4" PER TO 3/32" ROOT TO TIP

CRACKED RIB WING CONSTRUCTION

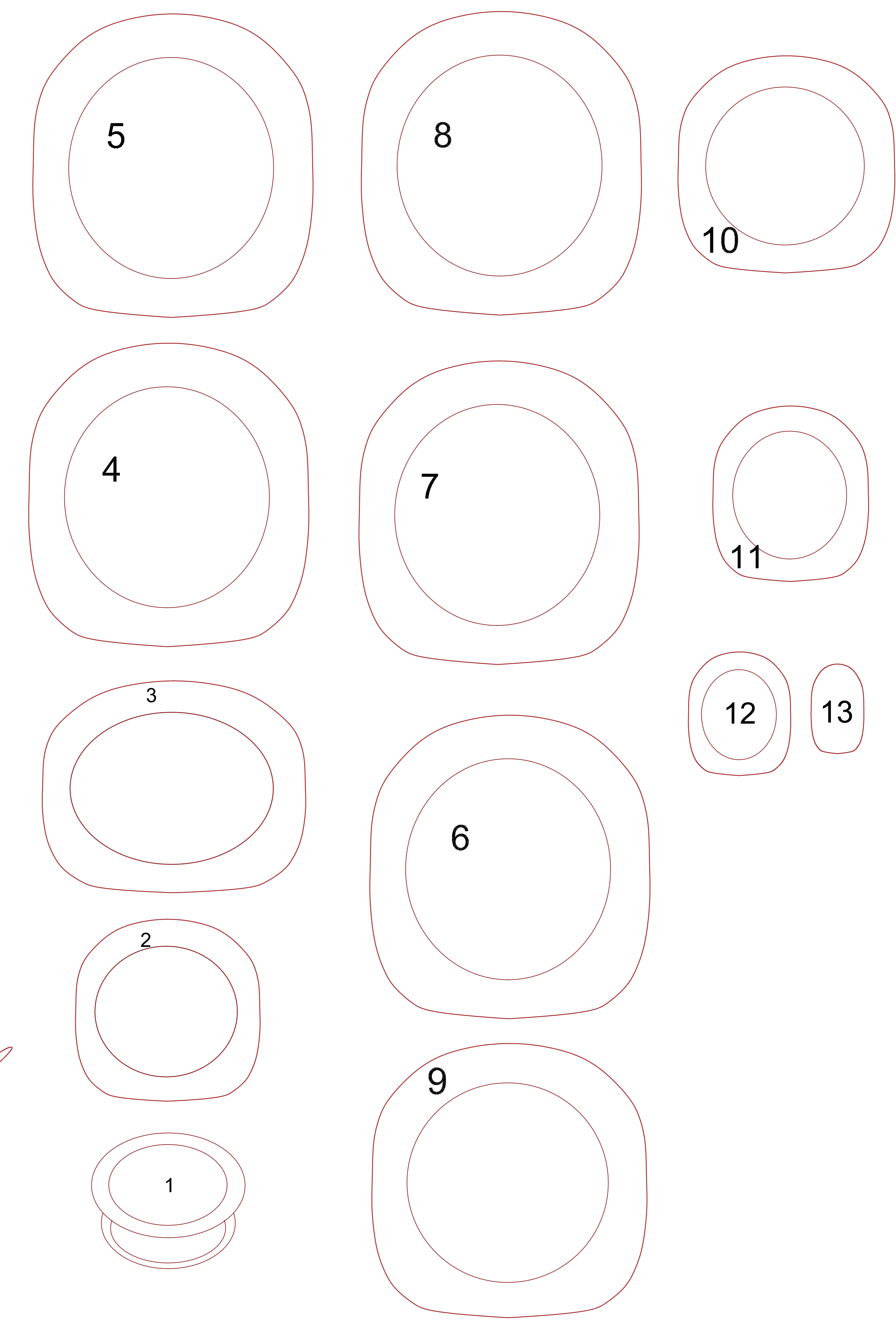
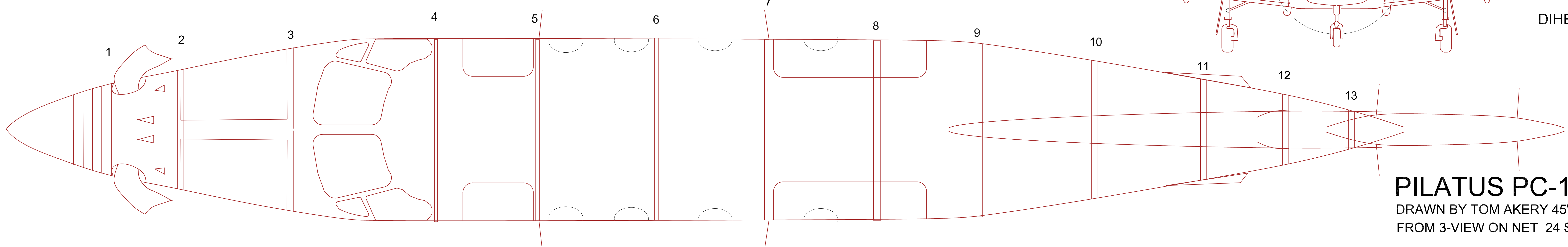
T.E. 3/32"X1/2" SAND TO 1/16" TRAILING EDGE



HORIZONTAL STAB 3/32" Balsa



DIHEDRAL 2" AT TIPS



PILATUS PC-12
DRAWN BY TOM AKERY 45" SPAN
FROM 3-VIEW ON NET 24 SEPT 2022