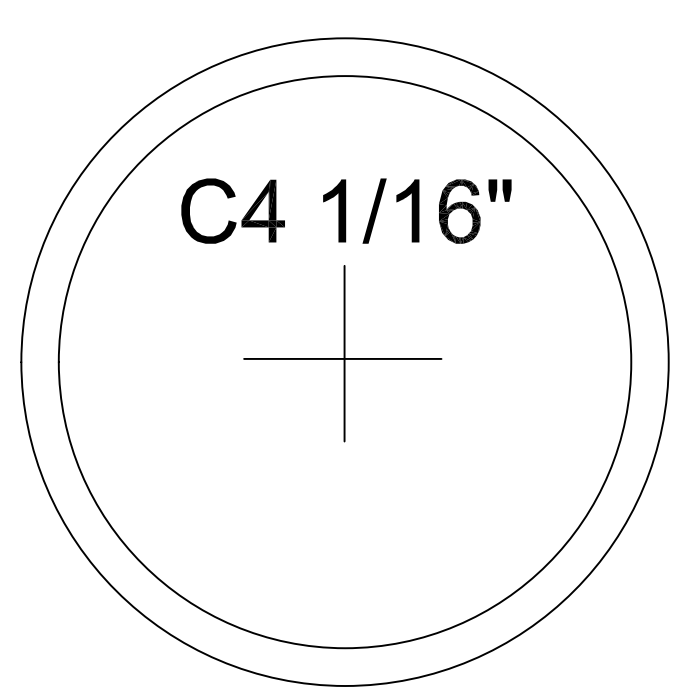
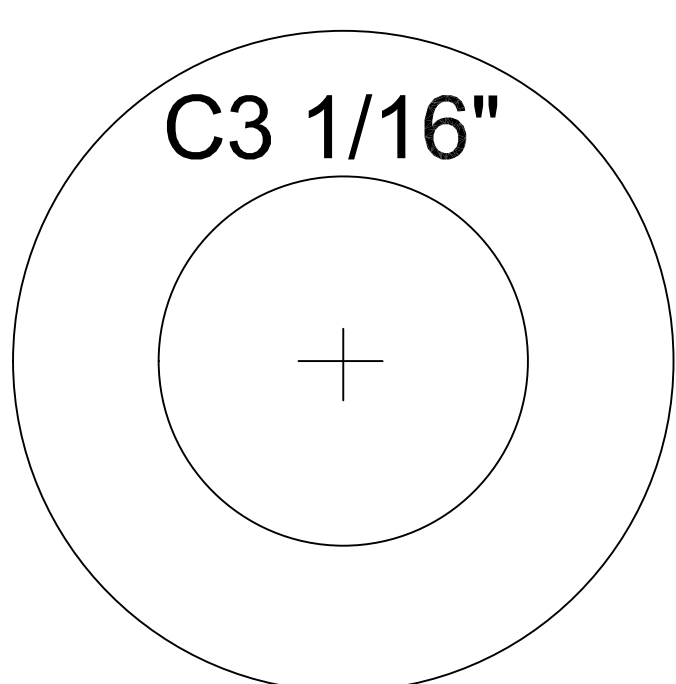
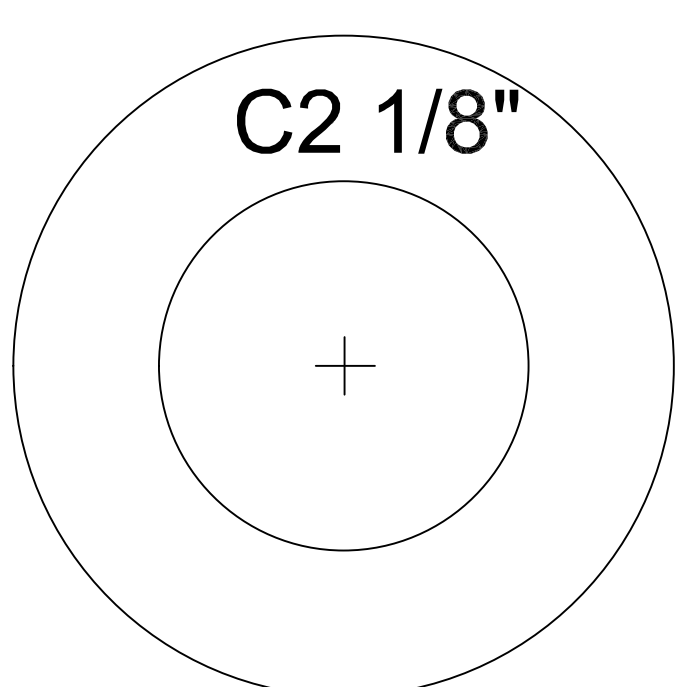
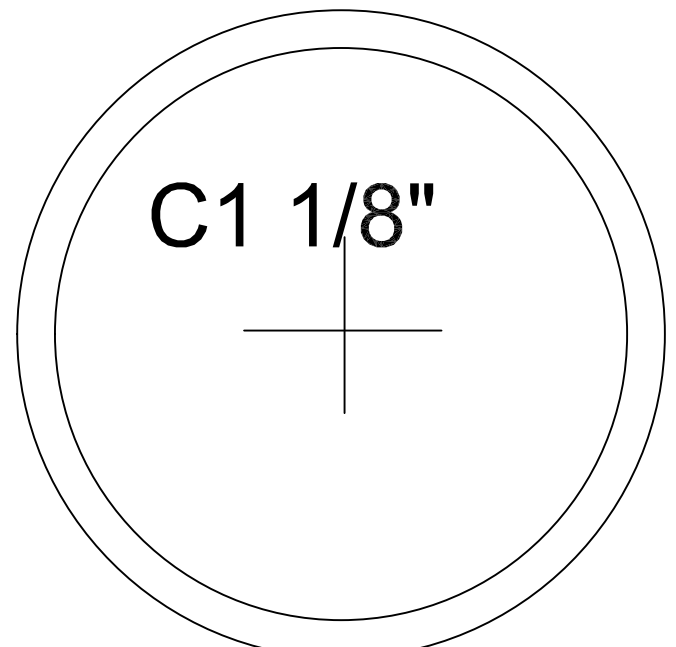
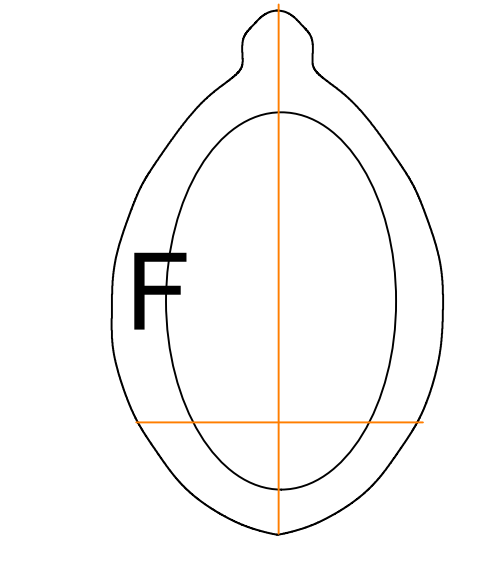
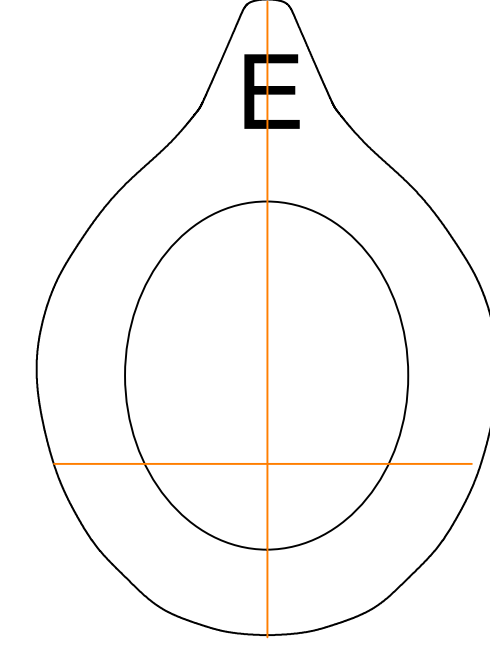
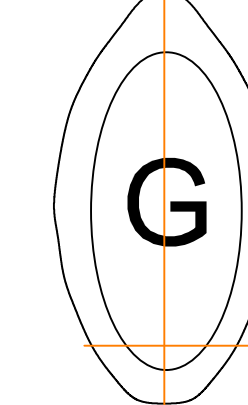
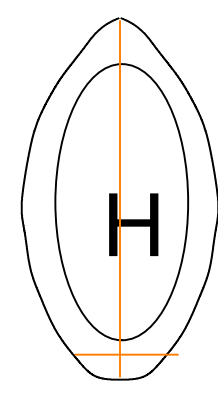
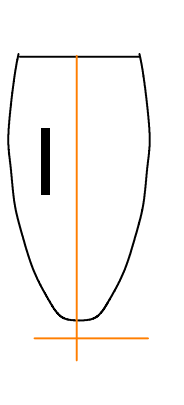
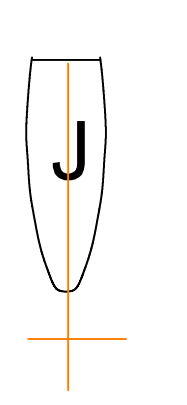
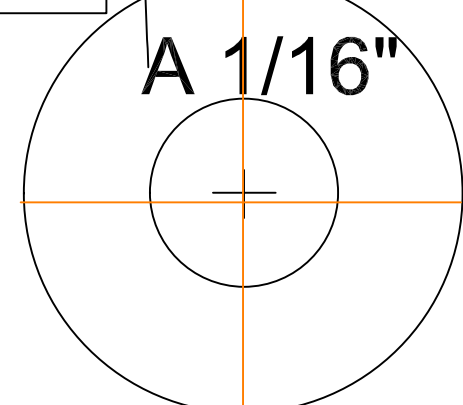
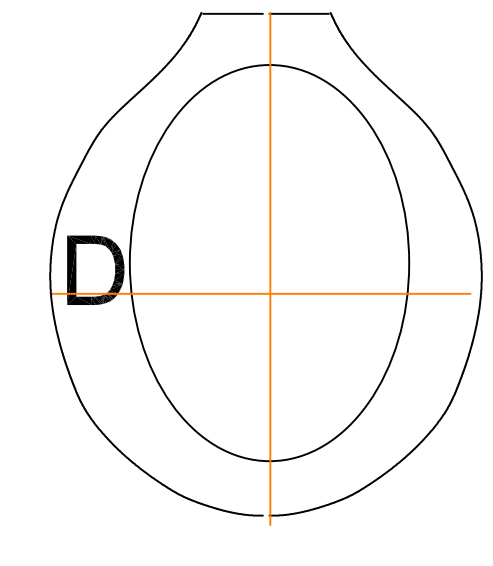
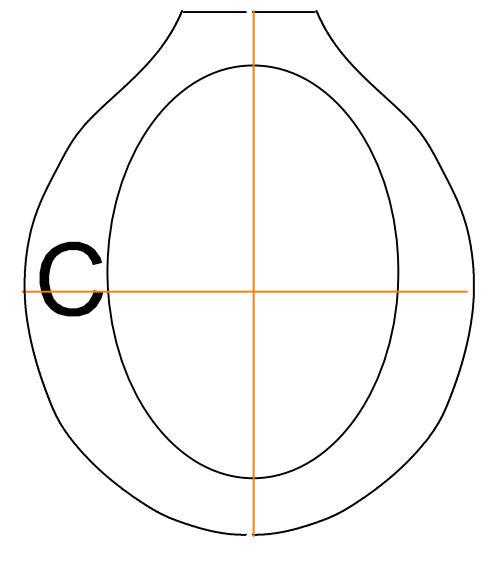
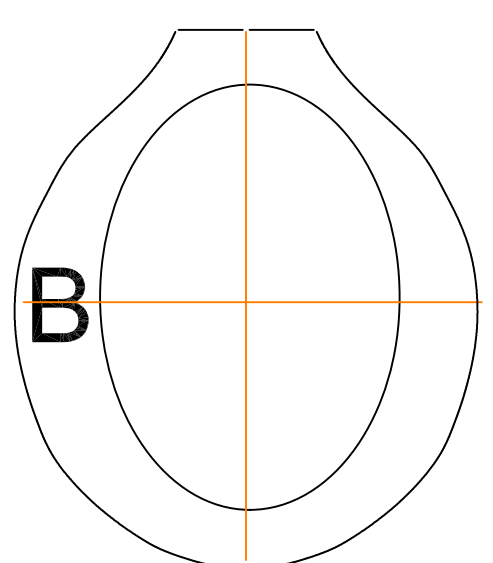


ALL FUSELAGE FORMERS FROM 1/16" SHEET

COWLING C1-4 AS MARKED



**PZL P-11C 27"**  
**DRAWN BY TOM AKERY**  
**27 JULY 2024**

