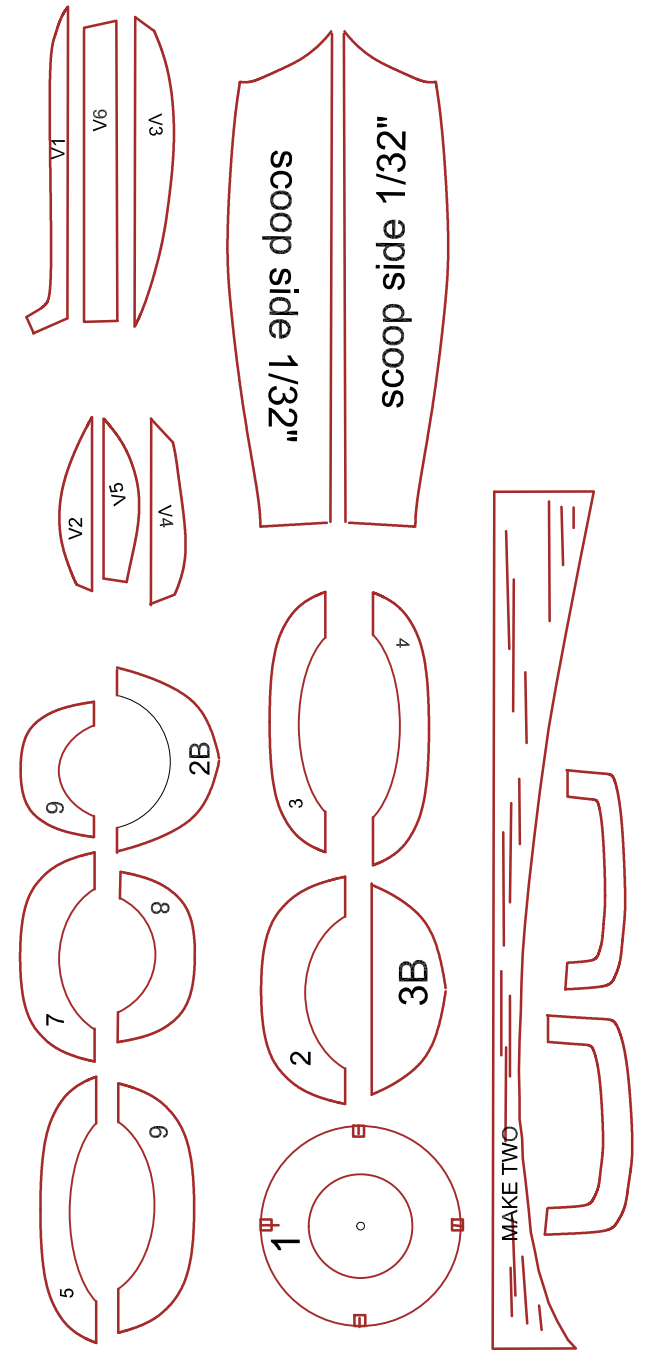
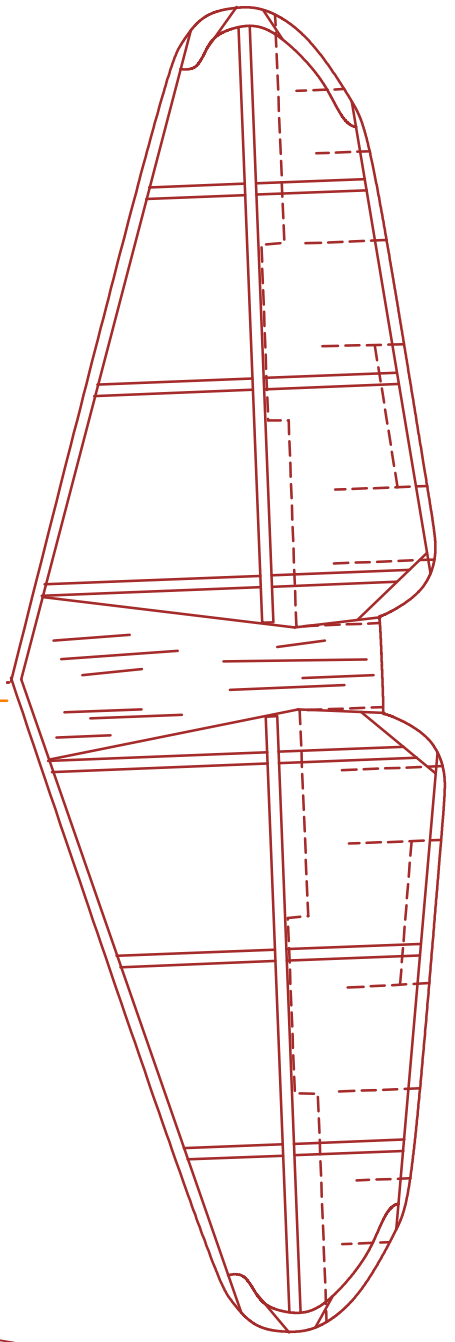
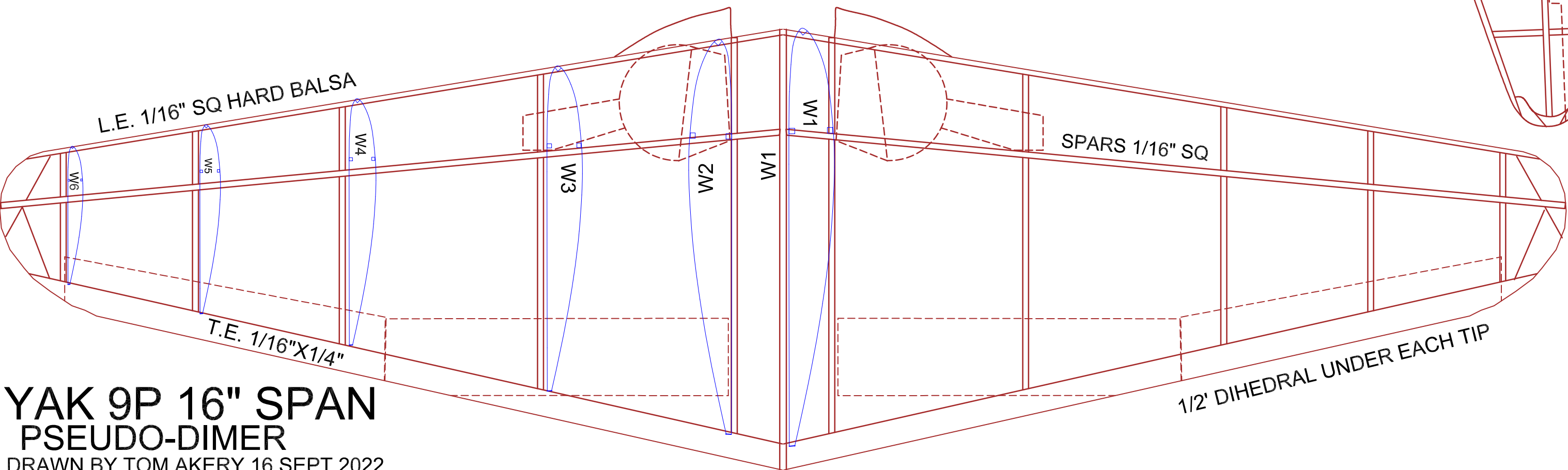
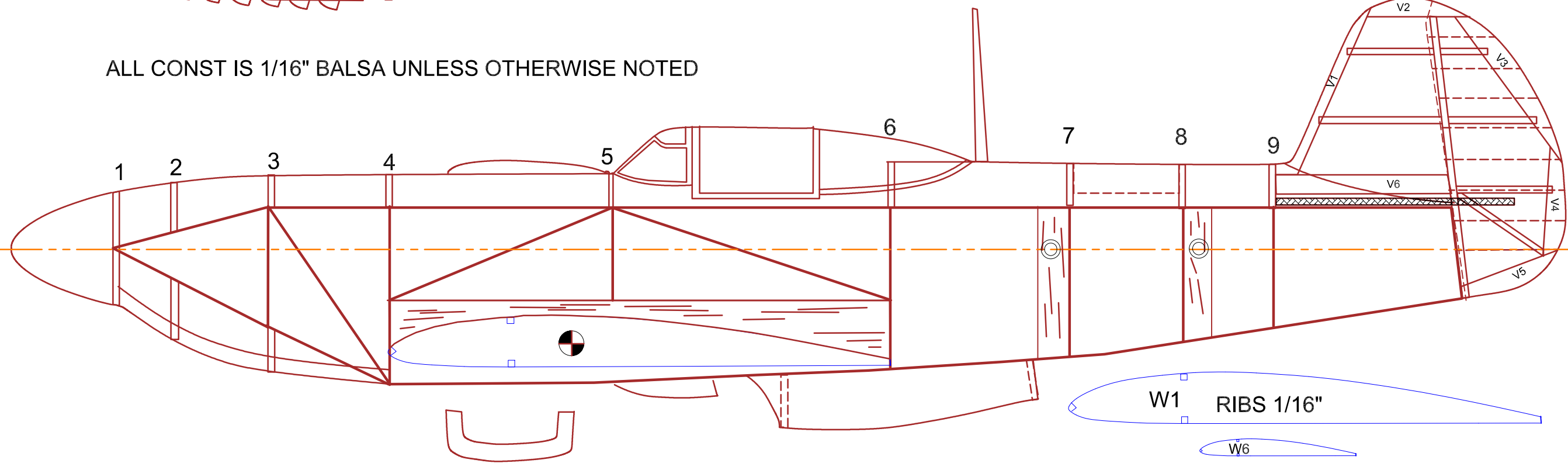


ALL CONST IS 1/16" Balsa unless otherwise noted



YAK 9P 16" SPAN
PSEUDO-DIMER
 DRAWN BY TOM AKERY 16 SEPT 2022

L.E. 1/16" SQ HARD Balsa

T.E. 1/16"X1/4"

W1 RIBS 1/16"

W6

SPARS 1/16" SQ

1/2° DIHEDRAL UNDER EACH TIP

MAKE TWO

SCOOP INTAKE AND EXHAUST