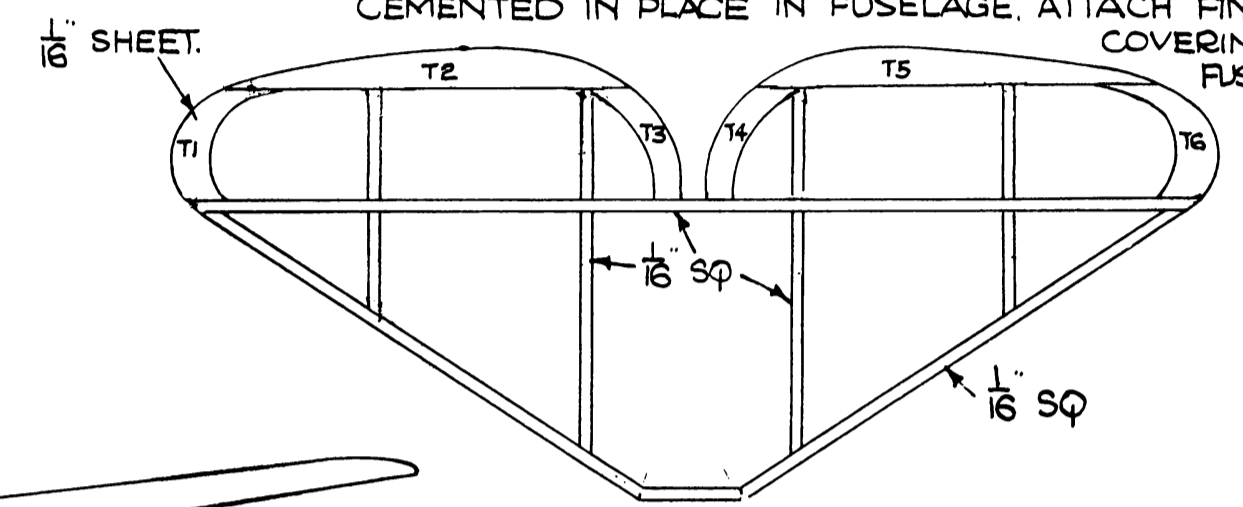


TAILPLANE MADE IN ONE PIECE, COVERED & THEN CEMENTED IN PLACE IN FUSELAGE. ATTACH FIN AFTER COVERING FUSELAGE.

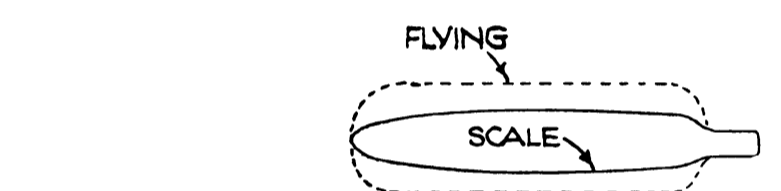


CRACK HERE AND CEMENT AT CORRECT DIHEDRAL ANGLE.

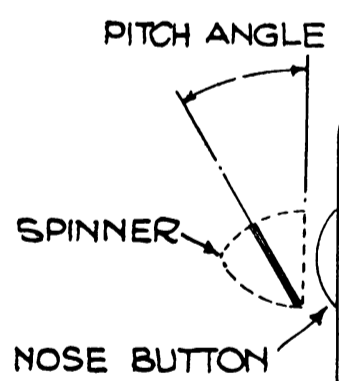
BEND TOP OF U/C LEG TO SHAPE SHOWN & BIND & CEMENT TO WING

DOTTED LINE SHOWS ACTUAL SIZE OF COWLING SUPPLIED TURN DOWN TO SIZE OF FORMER

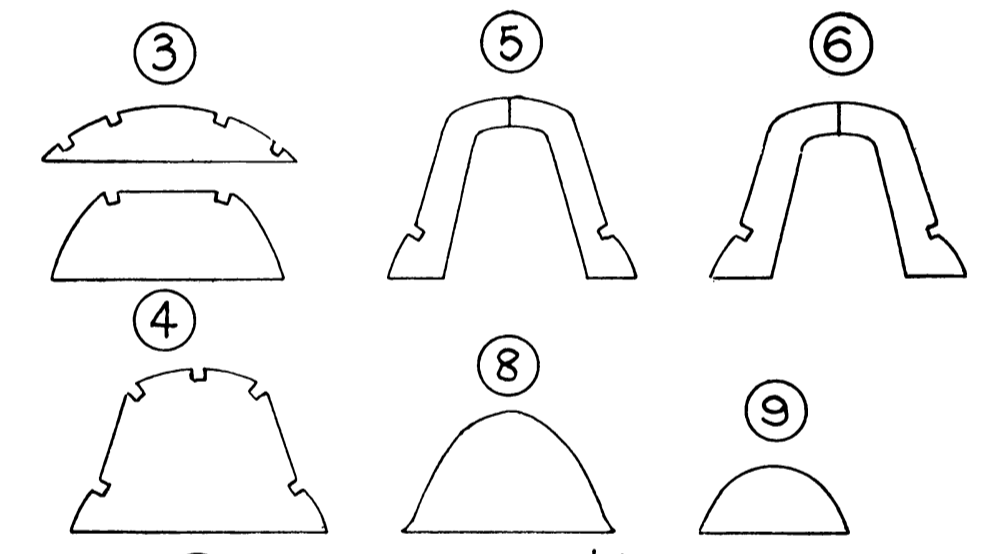
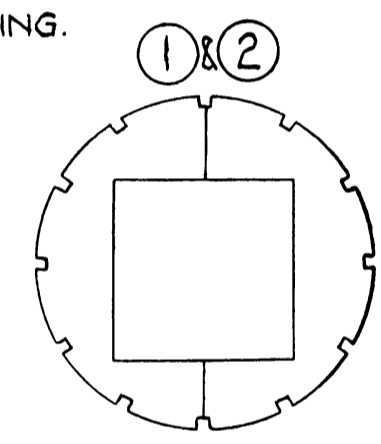
NOTE: SQUARE FUSELAGE FRONT FAIRED INTO CIRCULAR COWL BY TISSUE COVERING (SEE SIDE VIEW).



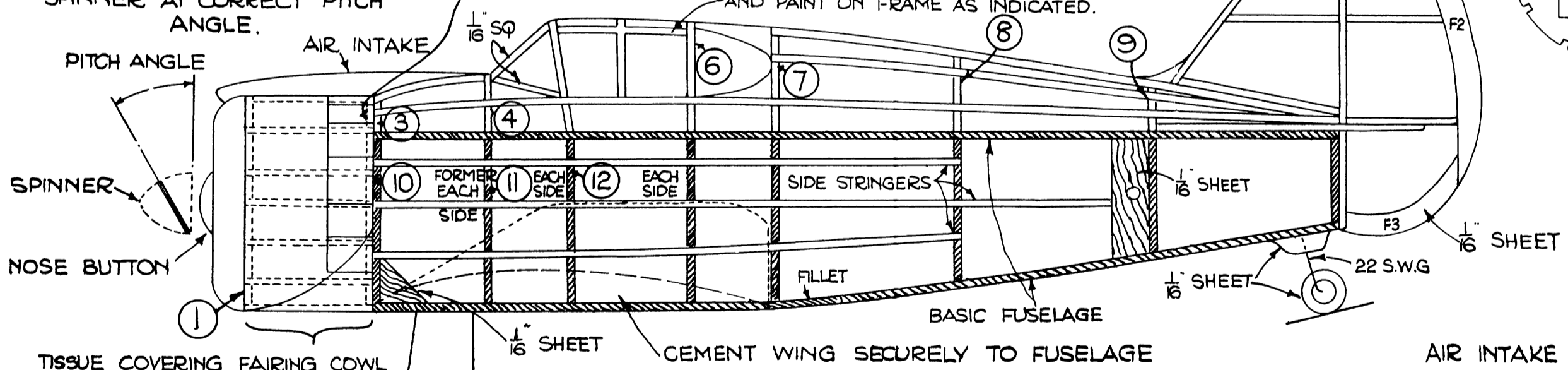
3 PROP BLADES OFF 1/16" SHEET. SLOT & SECURELY CEMENT INTO SPINNER AT CORRECT PITCH ANGLE.



COVER CABIN WITH THIN CELLULOID AND PAINT ON FRAME AS INDICATED.

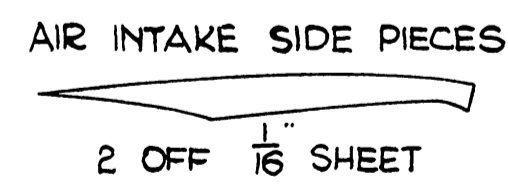


FORMERS 1/16" SHEET.  
1 OFF EACH (1) & (2) 2 OFF (10) (11) & (12)



TISSUE COVERING FAIRING COWL INTO SQUARE FUSELAGE

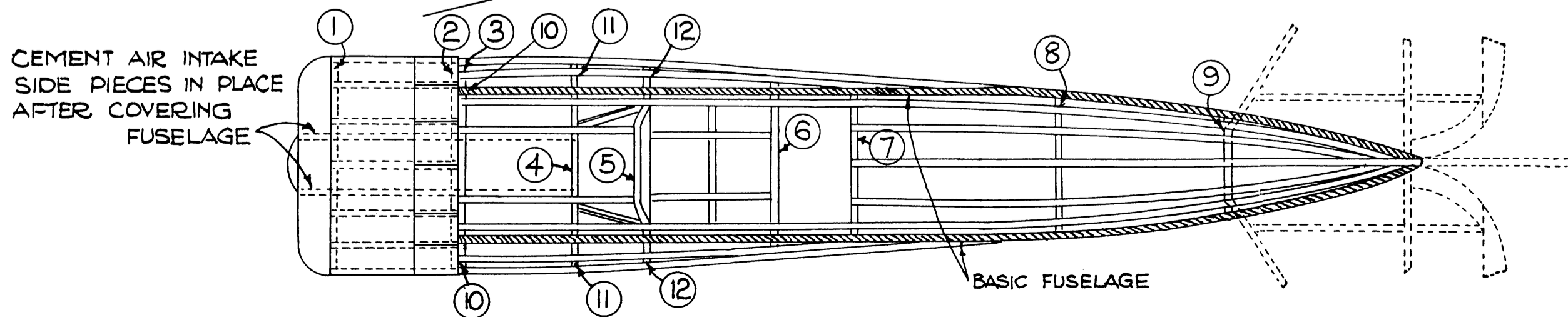
CARD U/C FAIRING



CEMENT IN PLACE ON FUSELAGE & THEN COVER ACROSS TOP WITH SCRAP SHEET OR TISSUE.

CEMENT HALVES OF FORMERS (1) (2) (5) & (6) TOGETHER BEFORE ADDING TO BASIC FUSELAGE.

1" Balsa WHEEL



16" WING SPAN SKYLEADA 16" WING SPAN  
FLYING SCALE MODELS.  
**COMMONWEALTH BOOMERANG**  
MFD. BY THE BRITISH MODEL AIRCRAFT MFG. CO., MITCHAM.