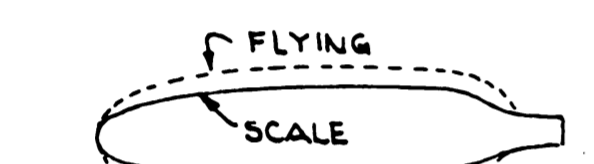
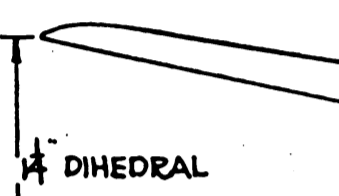
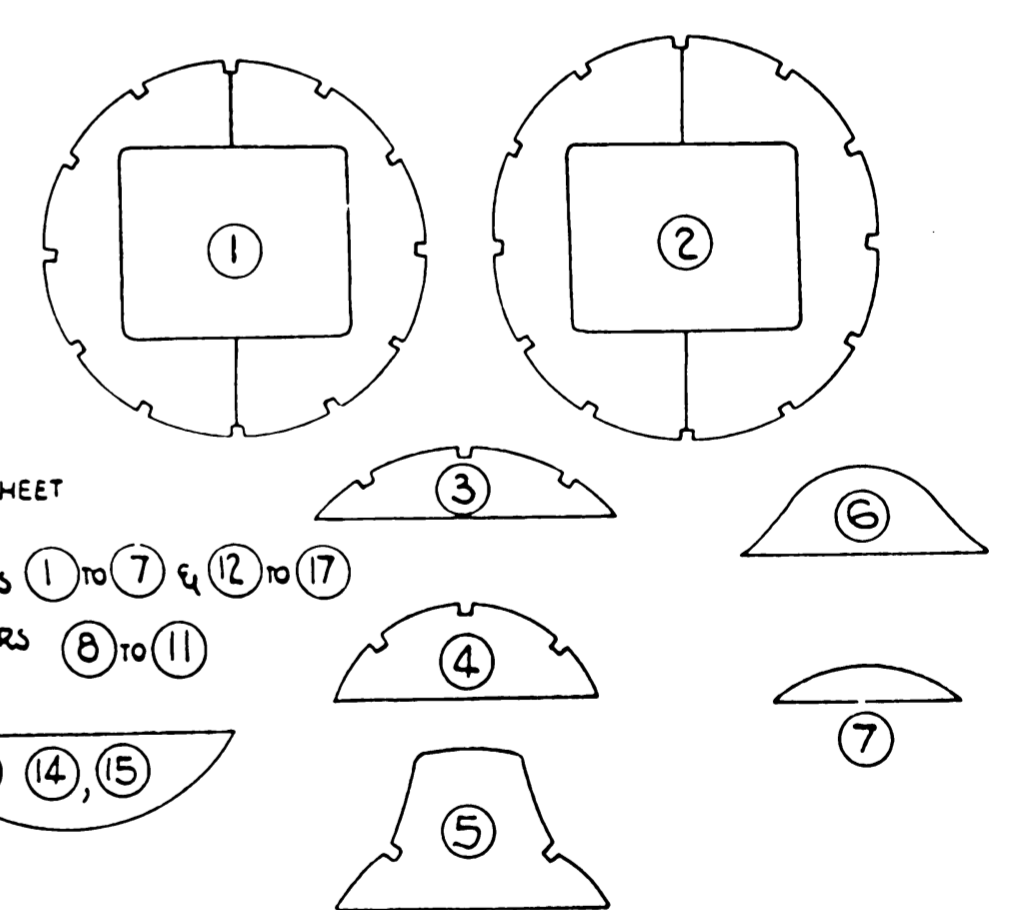
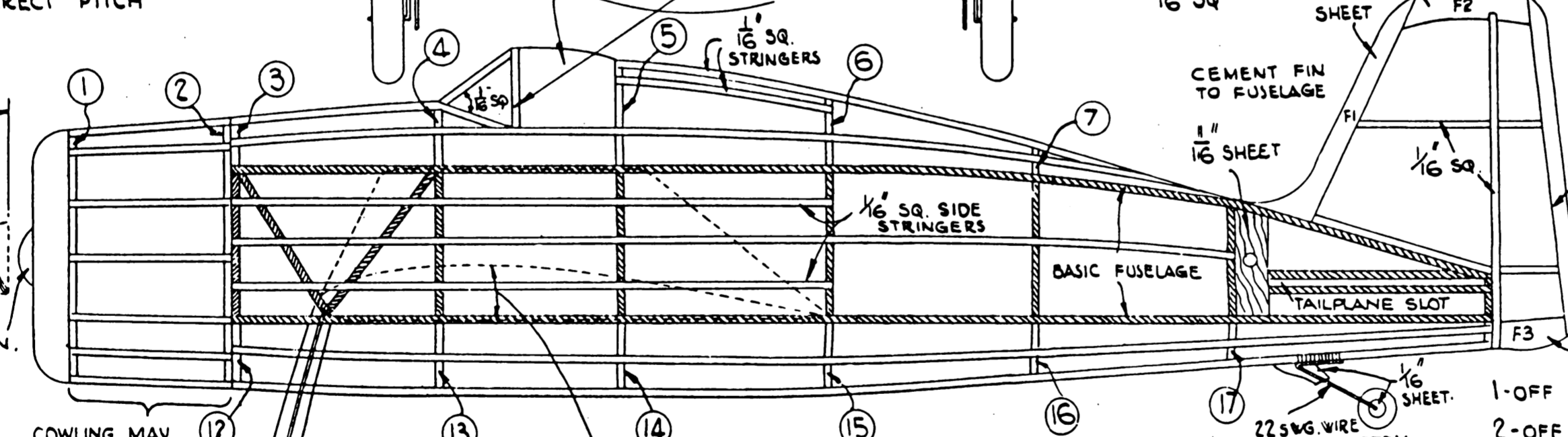
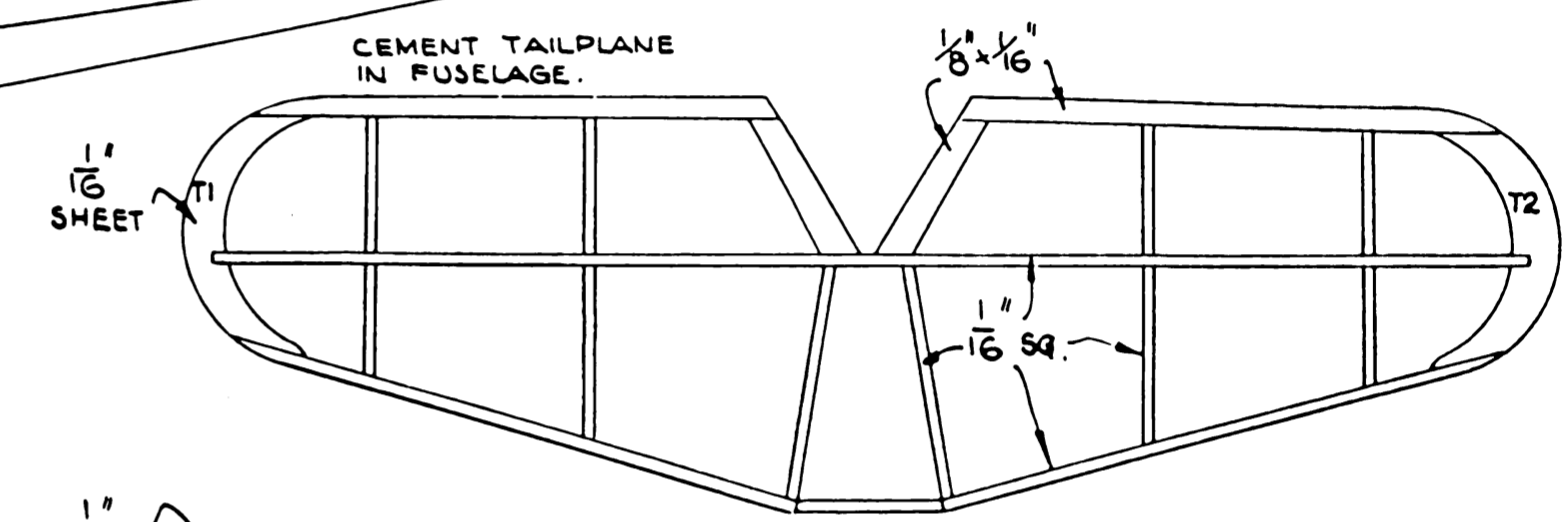
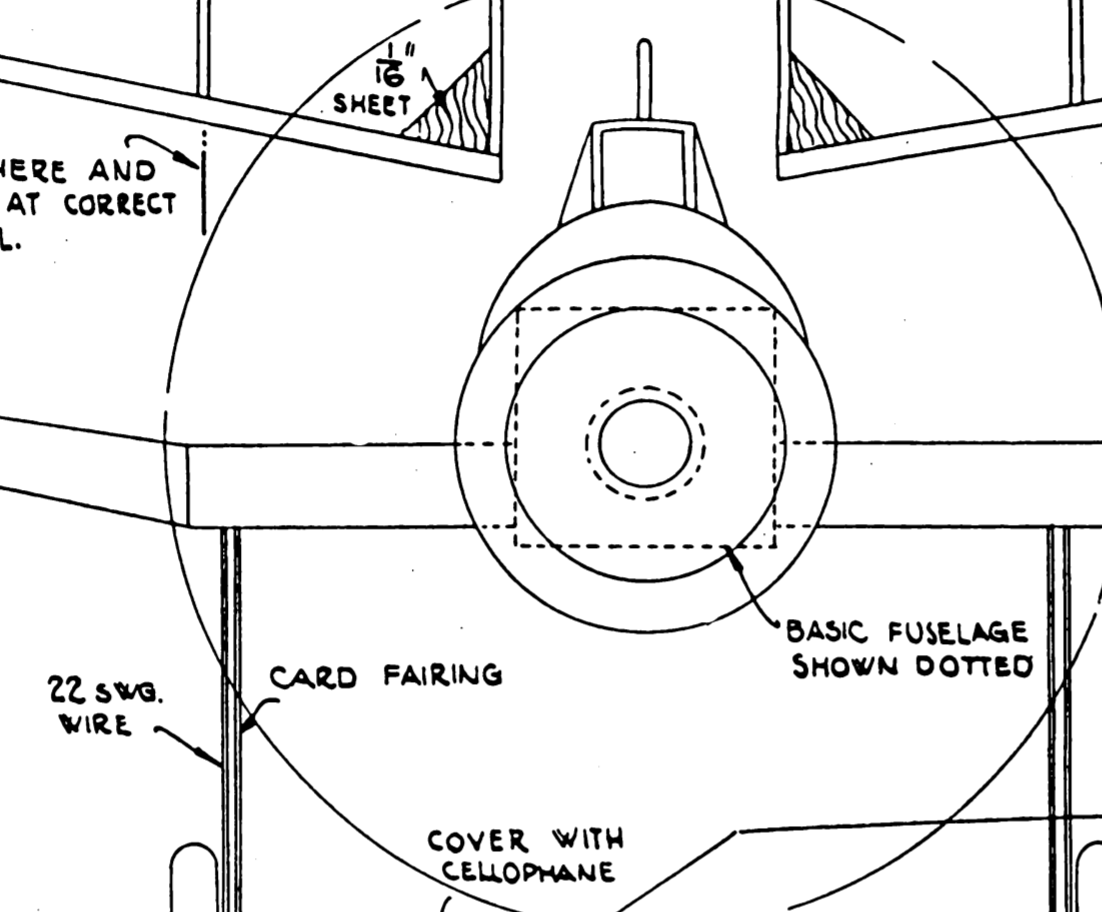


BEND TOP OF U/C LEG AS SHOWN & BIND AND CEMENT TO WING.

CRACK HERE AND CEMENT AT CORRECT DIHEDRAL.

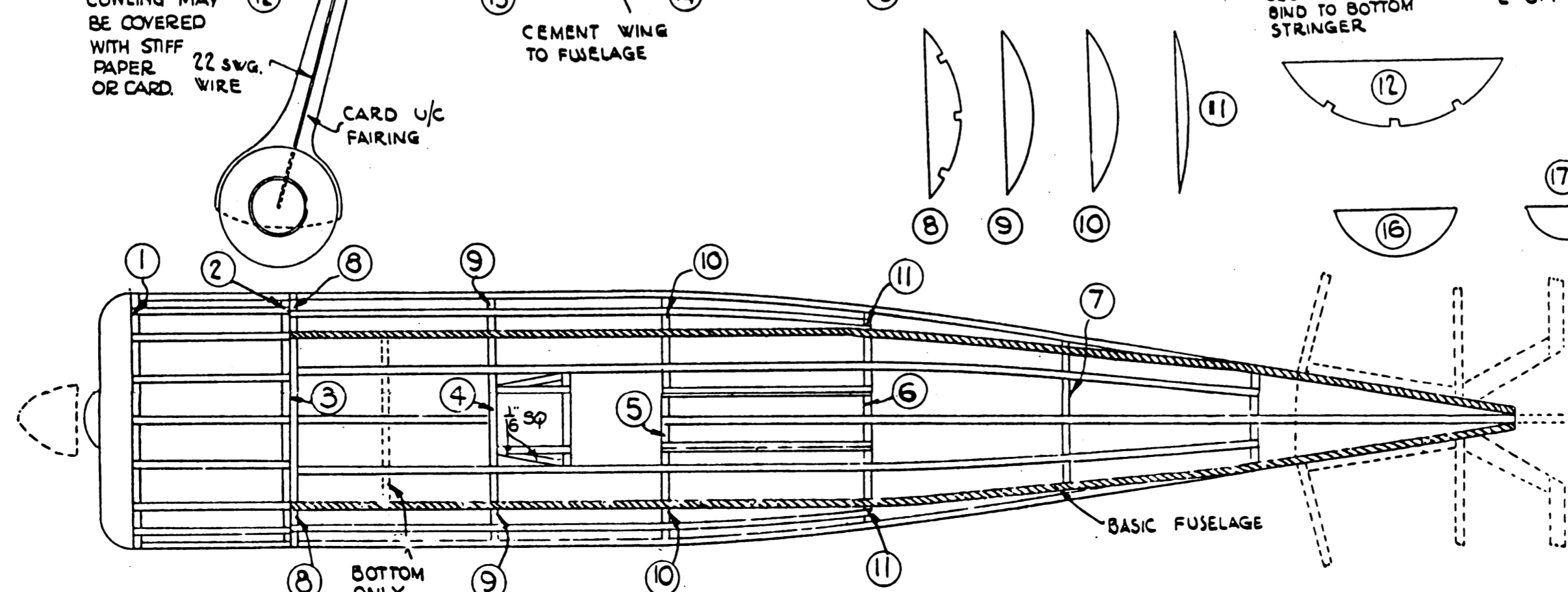


3 PROP. BLADES OFF 1/16 SHEET BORE HOLES IN SPINNER & CEMENT IN BLADES AT CORRECT PITCH ANGLE.



1-OFF FORMERS ① TO ⑦ & ⑫ TO ⑰
2-OFF FORMERS ⑧ TO ⑪

CEMENT HALVES OF FORMERS ① & ② TOGETHER BEFORE ADDING TO BASIC FUSELAGE



16" WING SKYLEADA 16" WING
SPAN FLYING SCALE MODELS
GRUMMAN HELLCAT
MFD. BY THE BRITISH MODEL AIRCRAFT MFG CO MITCHAM.

