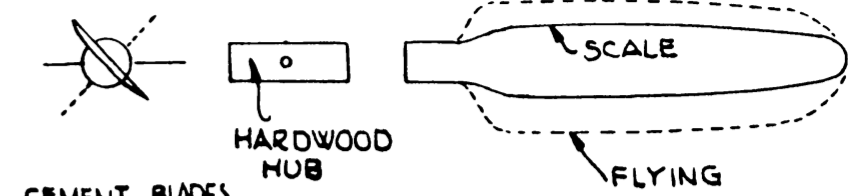
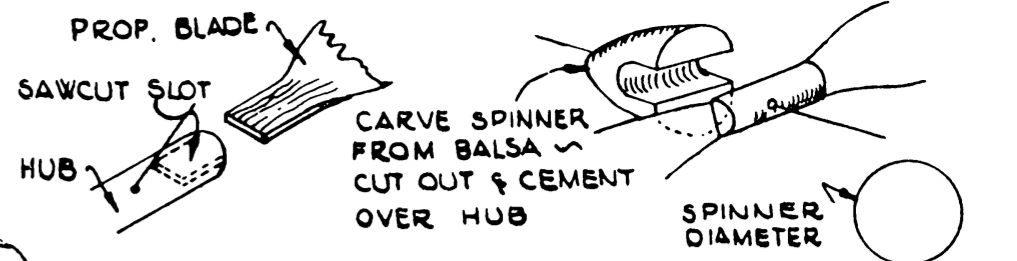


NOTE: SLOPE ROOT RIBS AT CORRECT DIHEDRAL ANGLE

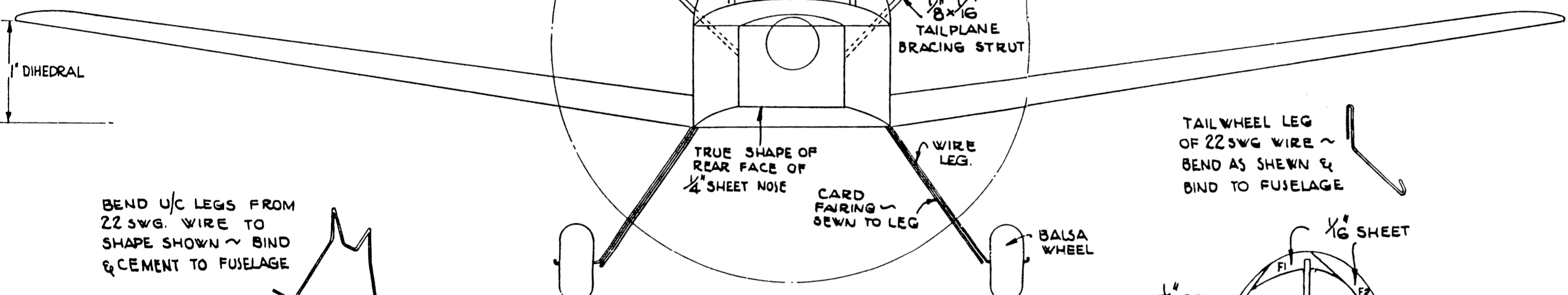
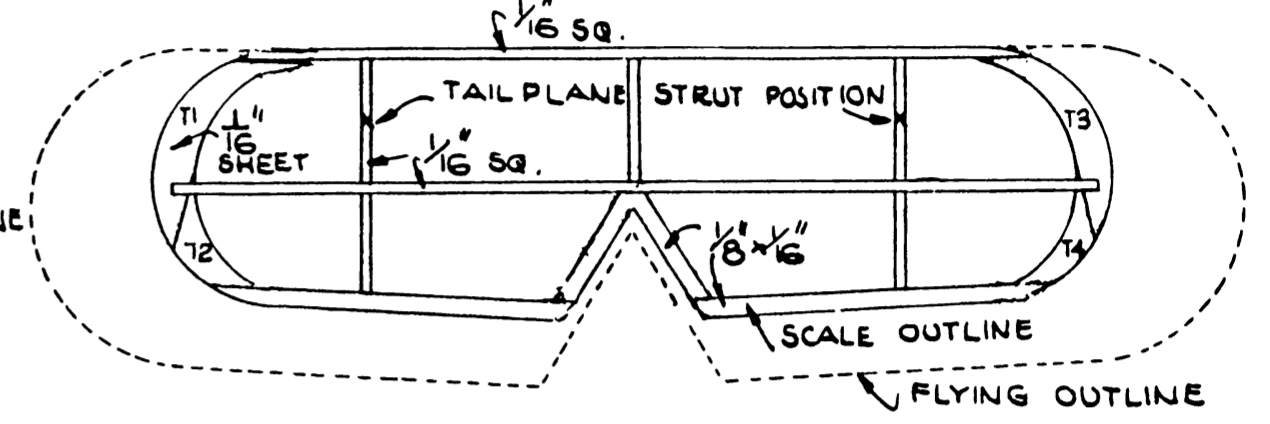
1/16" SQ. LEADING EDGE SET DIAGONALLY



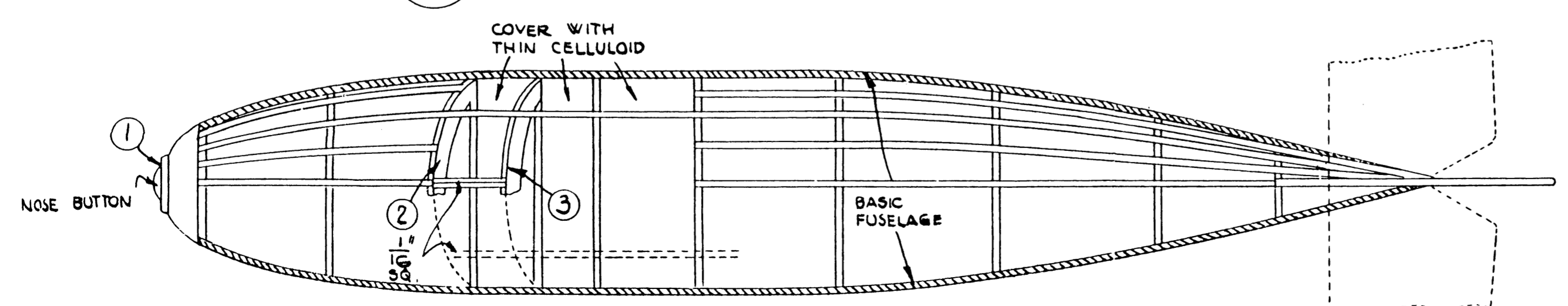
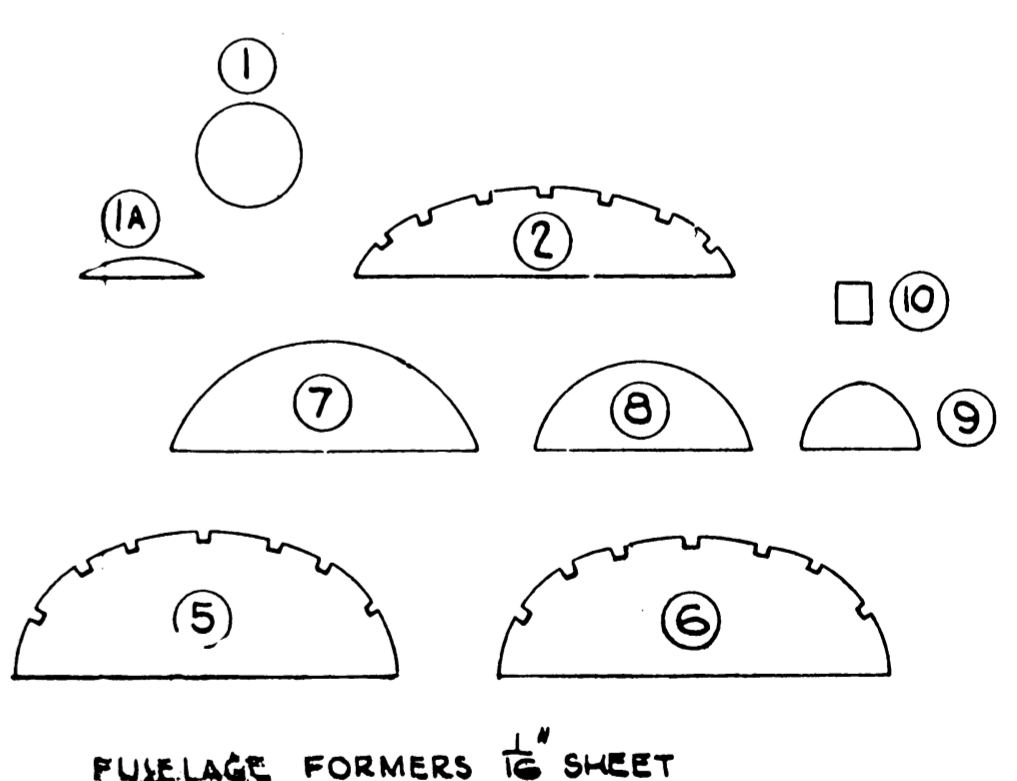
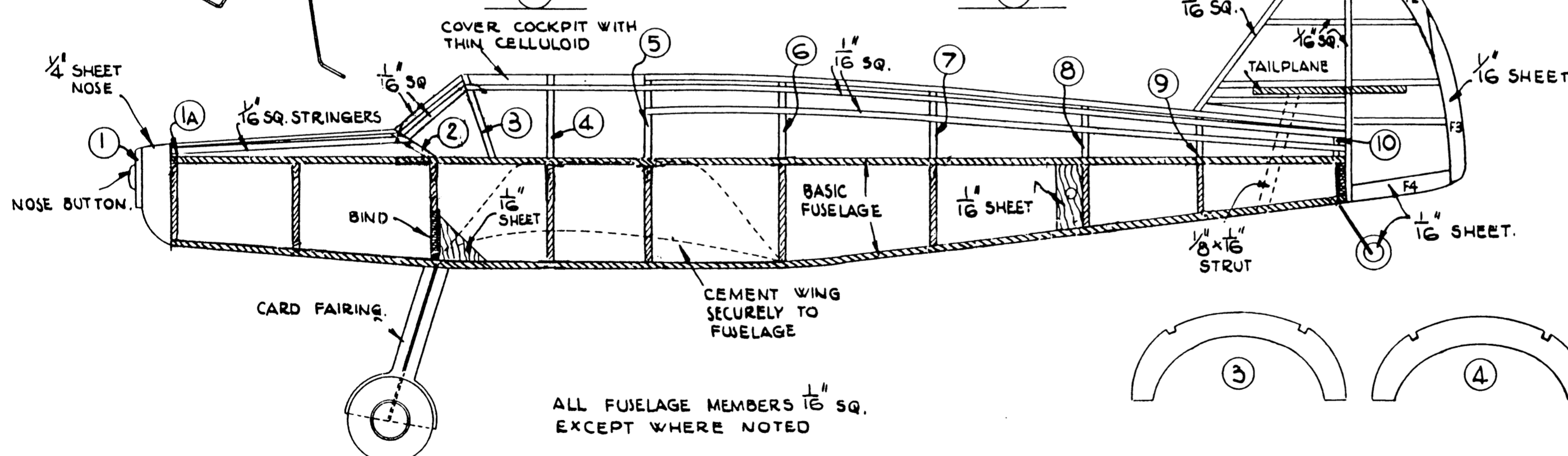
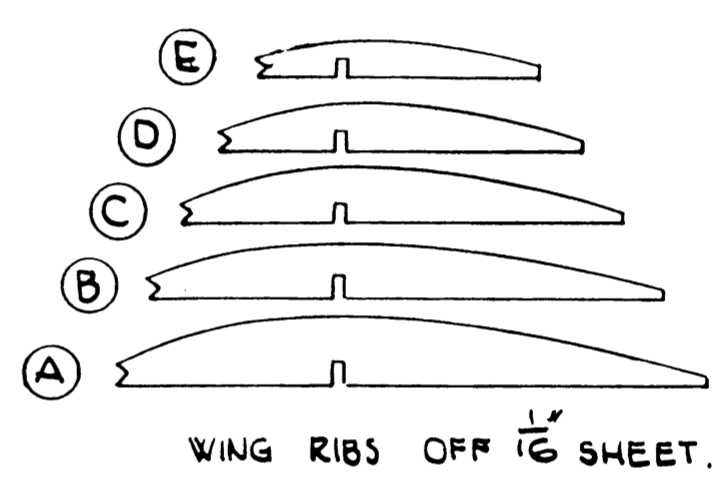
CEMENT BLADES IN HUB AT CORRECT PITCH ANGLE

PROP. BLADE ~ 2-OFF 1/16" SHEET

INCREASE TAILPLANE AREA ON FLYING MODEL



TAILWHEEL LEG OF 22 SWG WIRE ~ BEND AS SHOWN & BIND TO FUSELAGE



TOP STRINGERS SHOWN ON STARBOARD SIDE ONLY FOR CLARITY.

16" WING SPAN SKYLEADA 16" WING SPAN
 FLYING SCALE MODELS.
MESSERSCHMITT TAIFUN
 MFD. BY THE BRITISH MODEL AIRCRAFT MFG. CO MITCHAM