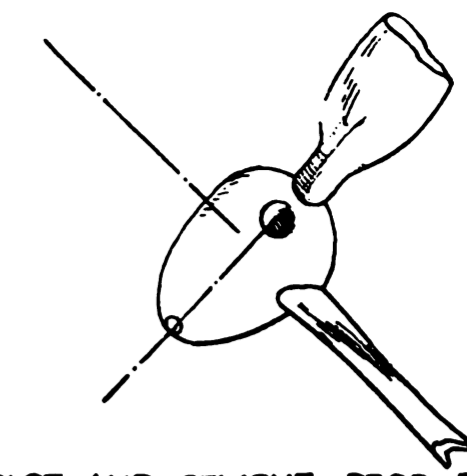
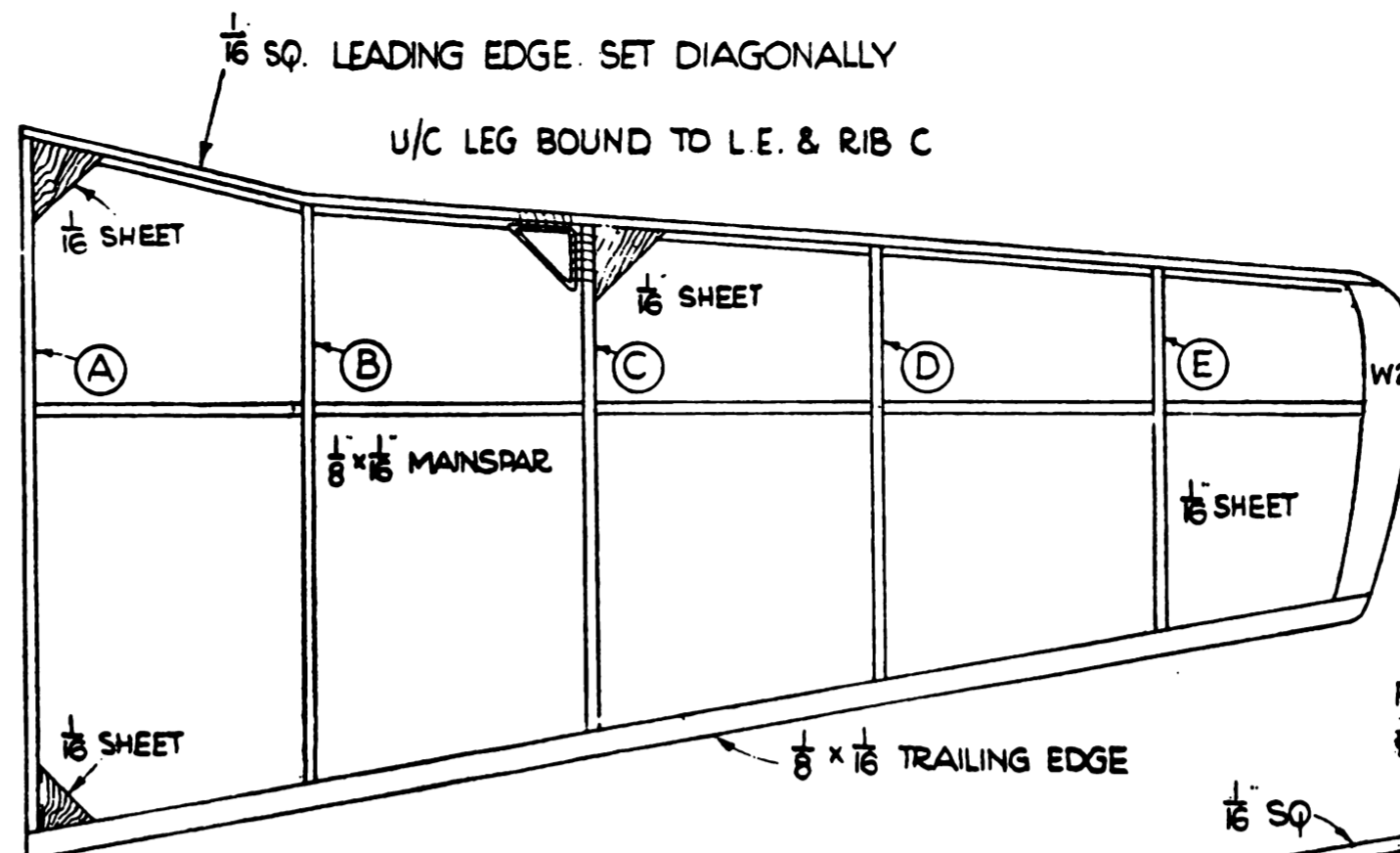
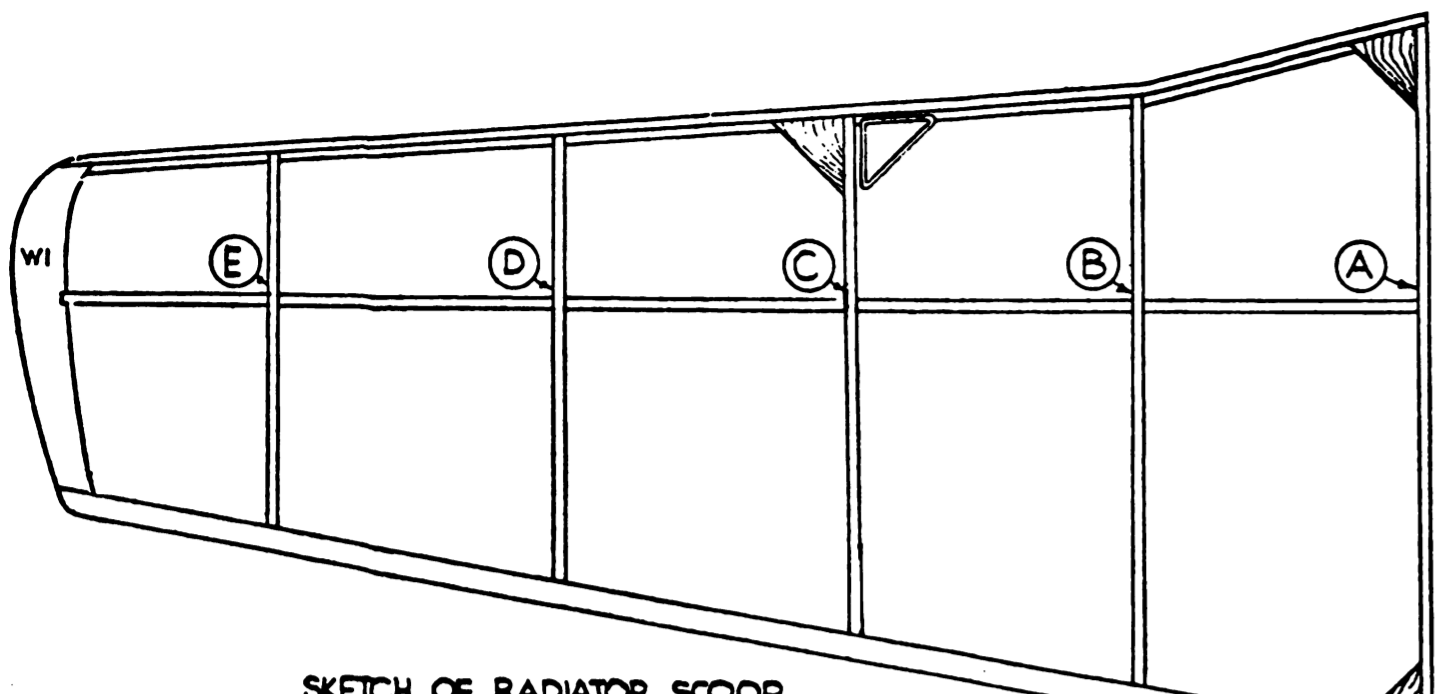
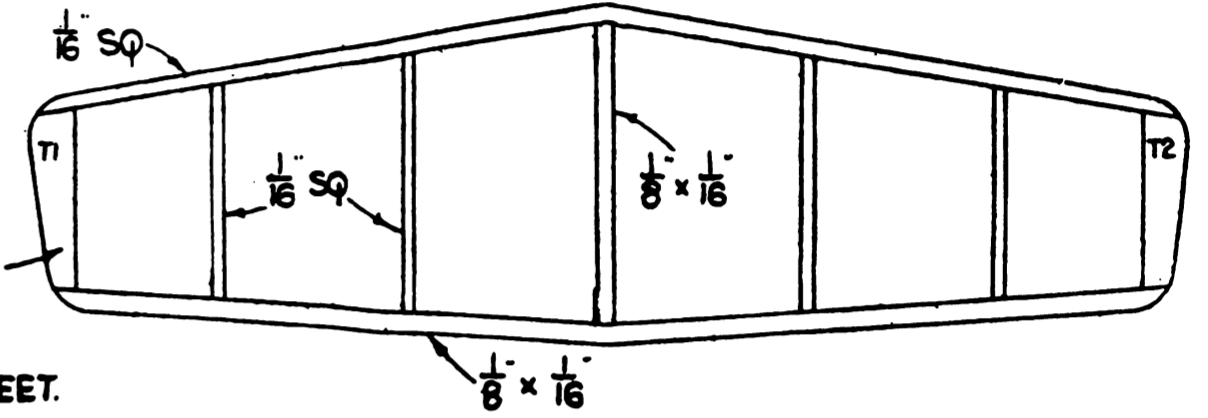


NOTE: SLOPE ROOT RIBS AT CORRECT DIHEDRAL ANGLE

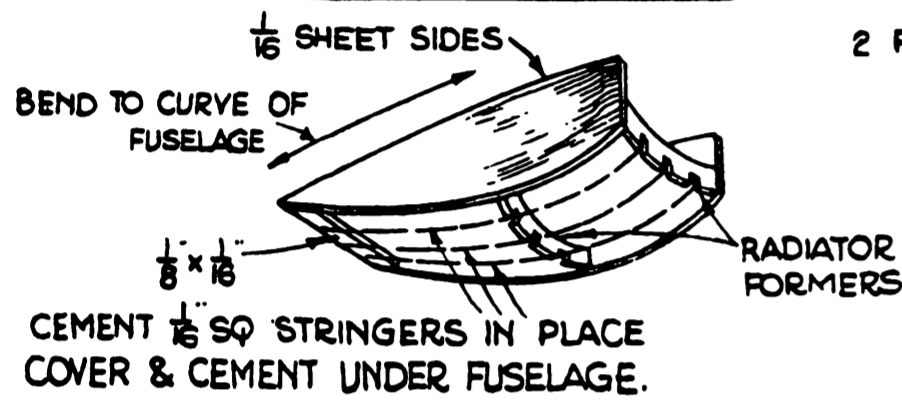


SLOT AND CEMENT PROP BLADES INTO SPINNER AT CORRECT PITCH ANGLE.

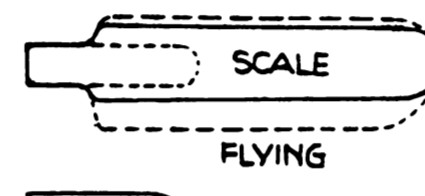
FINISH & COVER TAILPLANE & CEMENT IN PLACE BEFORE ADDING FUSELAGE STRINGERS.



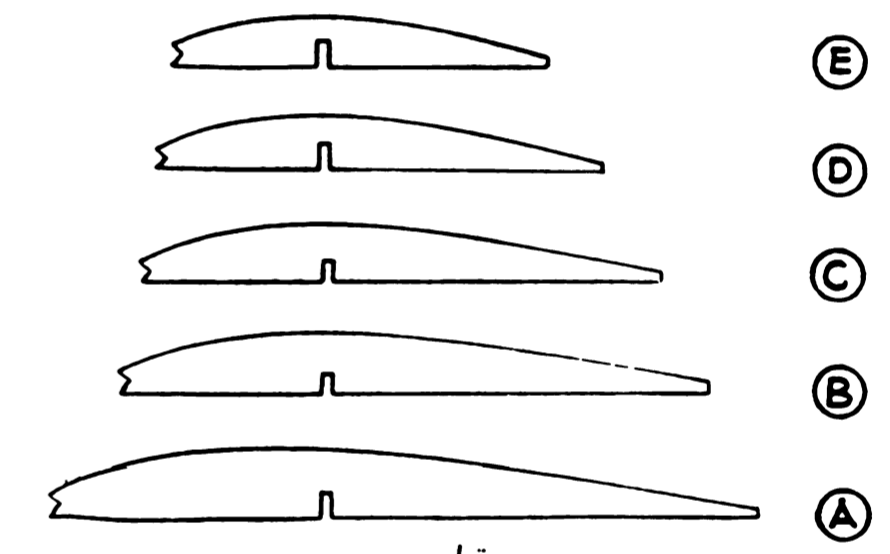
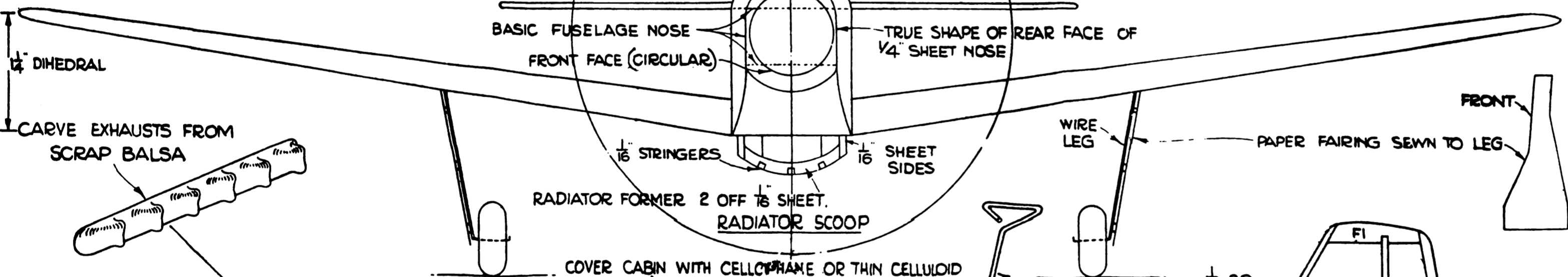
SKETCH OF RADIATOR SCOOP



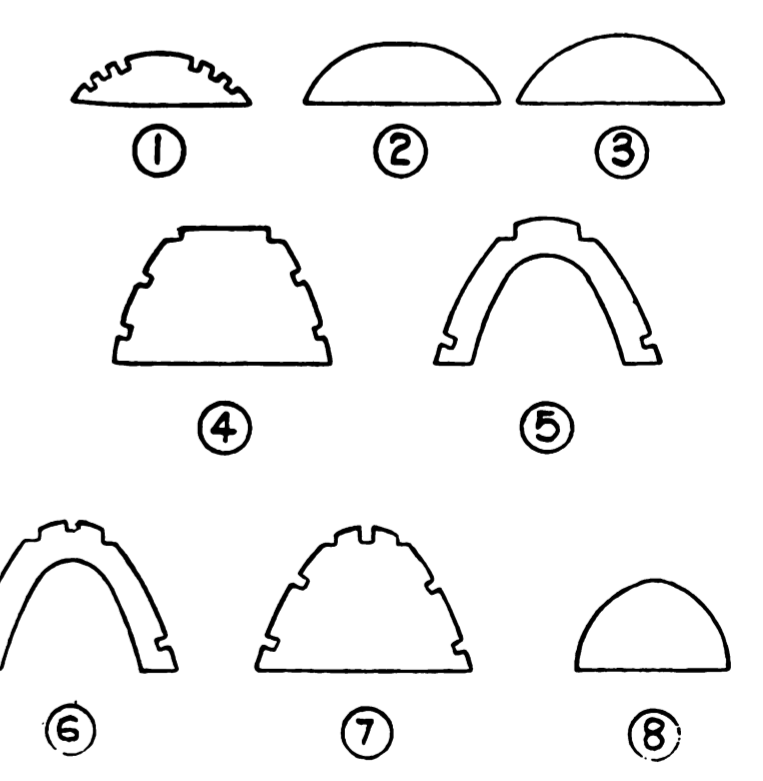
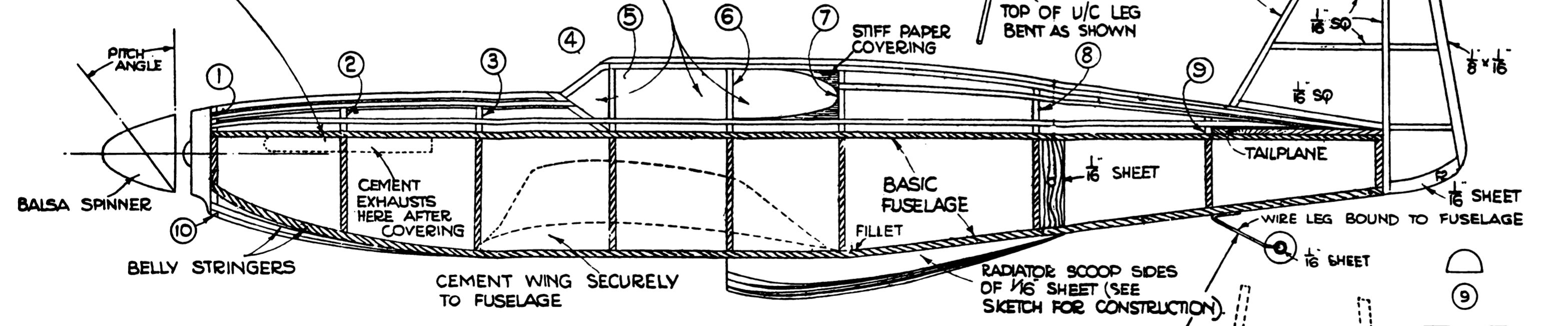
2 FILLETS OFF SHEET 1/16 THK



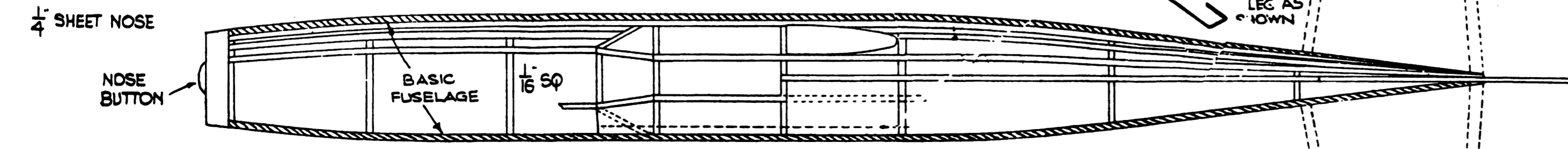
STRENGTHEN HUB WITH SCRAP 1/16 SHEET. 4 PROP BLADES OFF 1/16 SHEET.



WING RIBS OFF 1/16 SHEET.



ALL FUSELAGE MEMBERS 1/16 SQ. EXCEPT WHERE NOTED



STARBOARD STRINGERS ONLY SHOWN FOR CLARITY

16" WING SPAN SKYLEADA 16" WING SPAN FLYING SCALE MODELS NORTH AMERICAN MUSTANG MFD. BY THE BRITISH MODEL AIRCRAFT MFG. CO MITCHAM