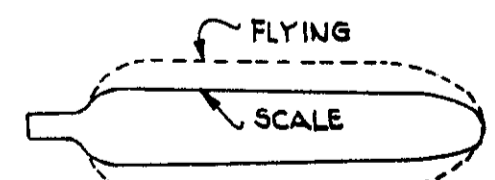
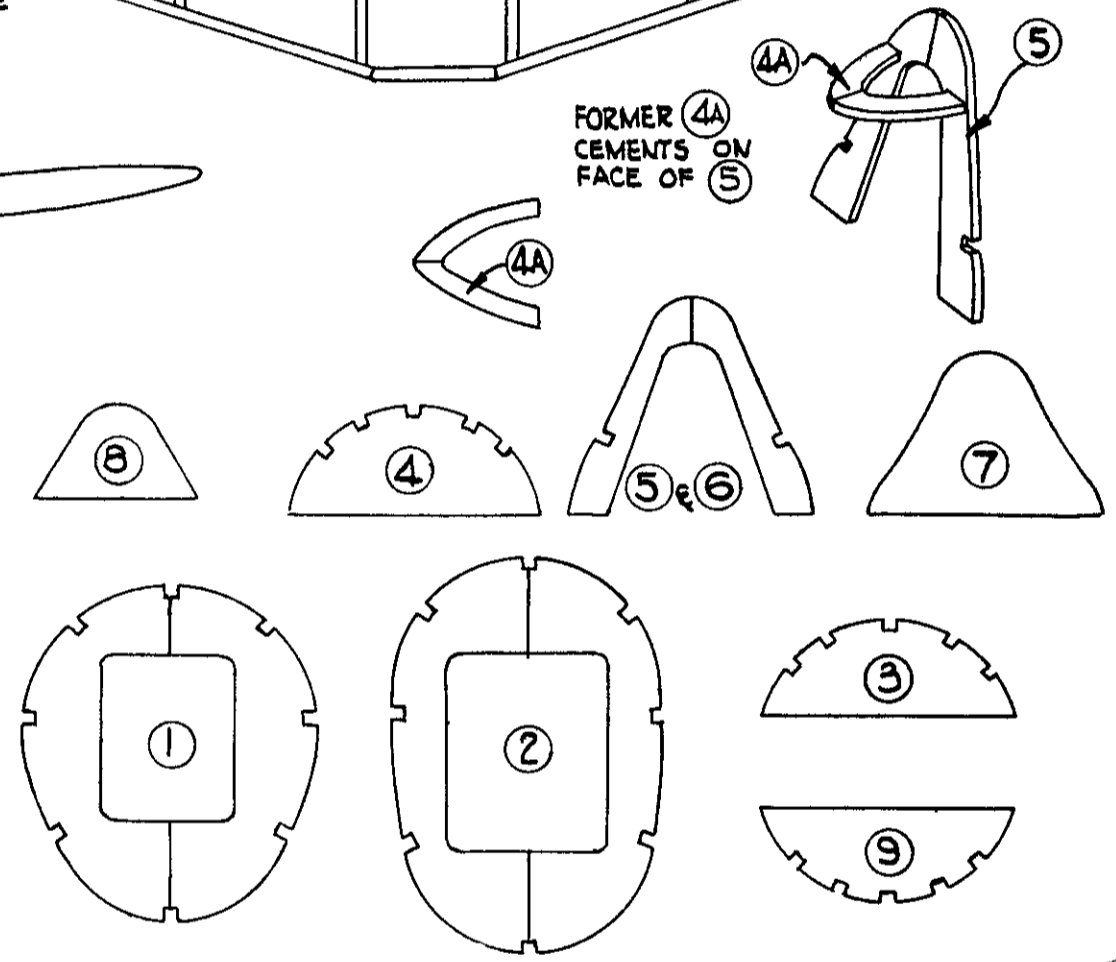
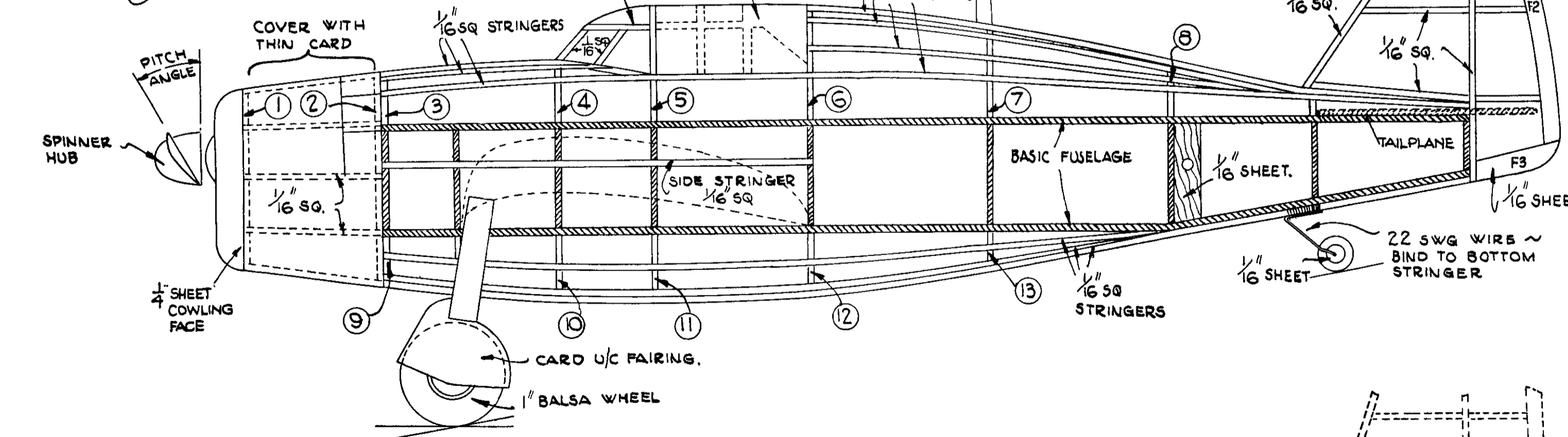


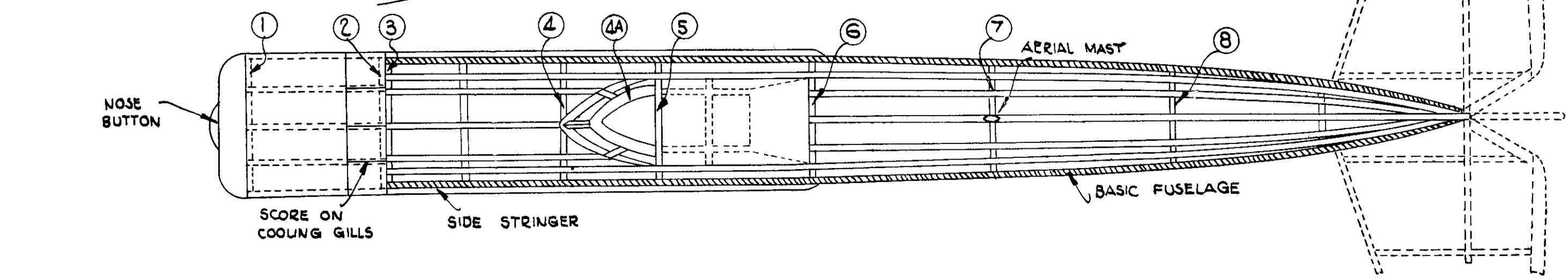
COVER CABIN WITH THIN CELLULOID & MARK ON FRAME AS INDICATED

CEMENT FIN TO FUSELAGE WHEN COVERED



006106

4 PROP BLADES OFF 1/16" SHEET. CEMENT HALVES OF FORMERS (4A) (5) (6) (1) & (2) TOGETHER BEFORE ASSEMBLY



16" WING SPAN SKYLEADA 16" WING SPAN
 FLYING SCALE MODELS
 REPUBLIC THUNDERBOLT
 MFD BY THE BRITISH MODEL AIRCRAFT MFG CO MITCHAM