

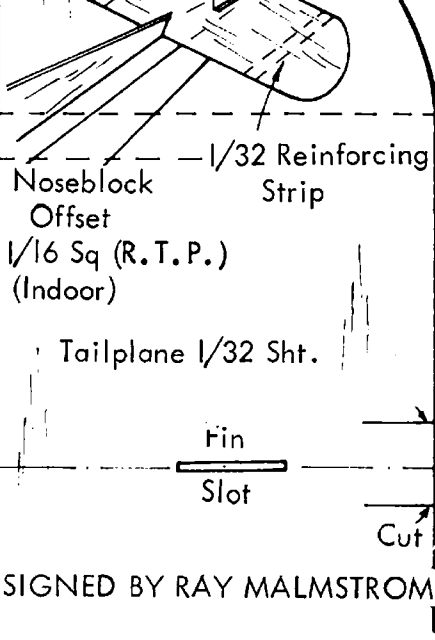
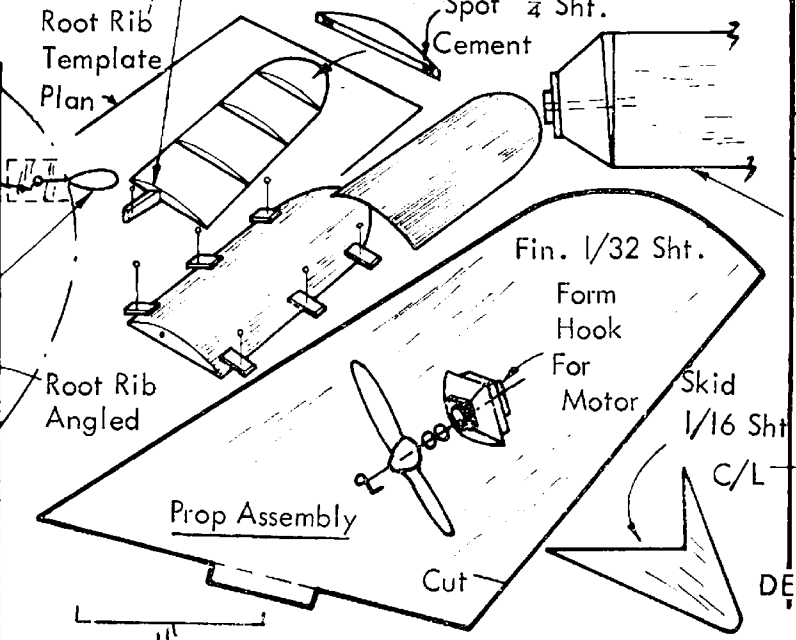
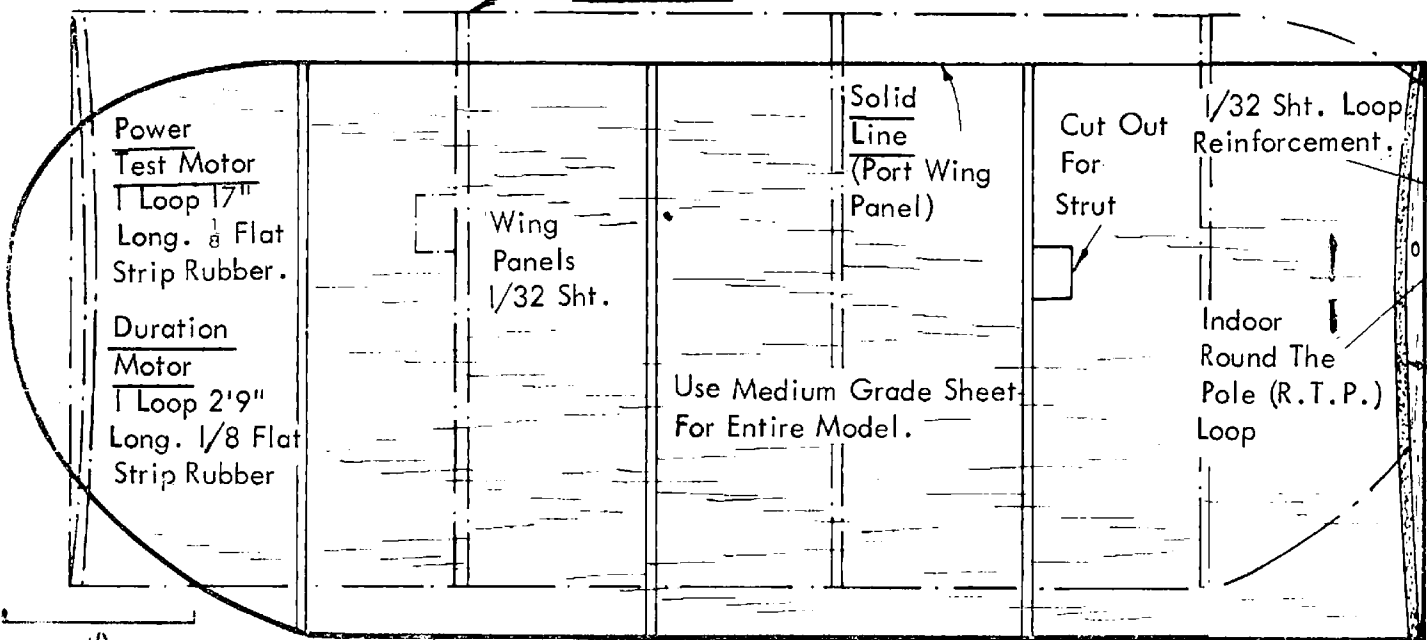
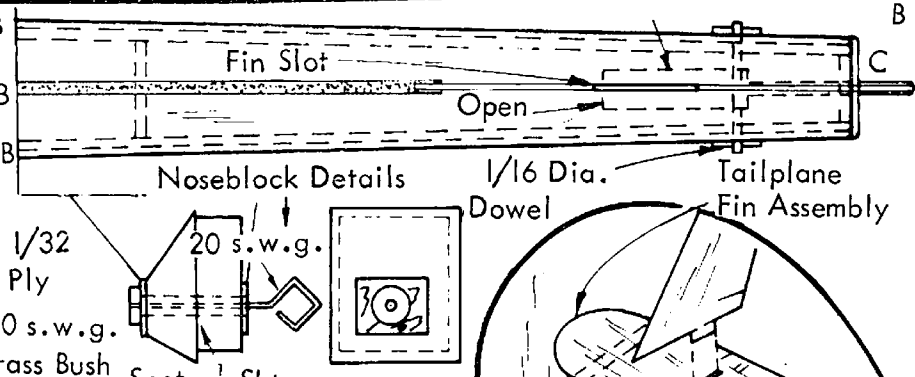
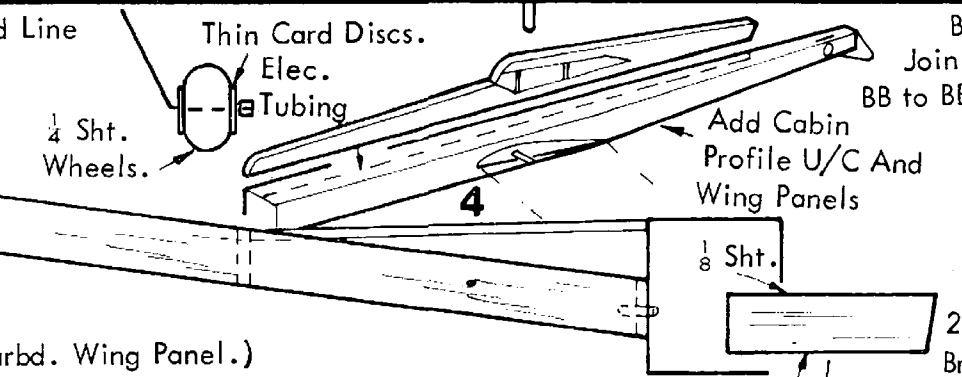
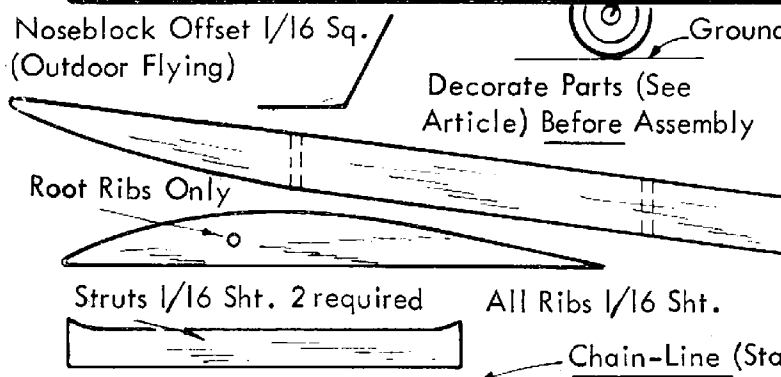
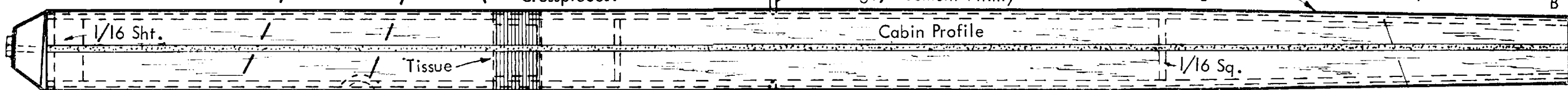
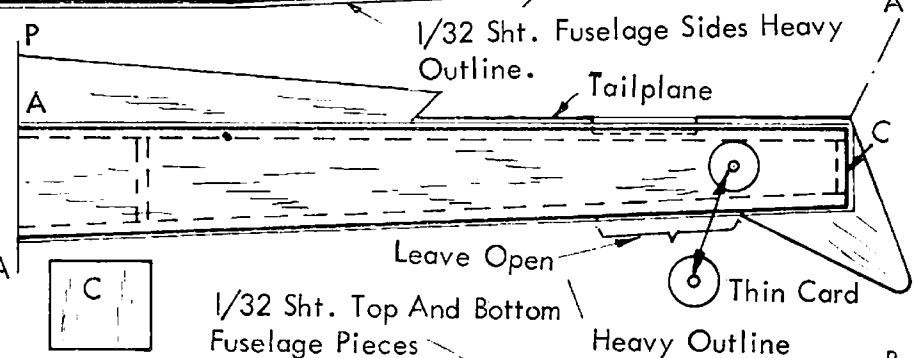
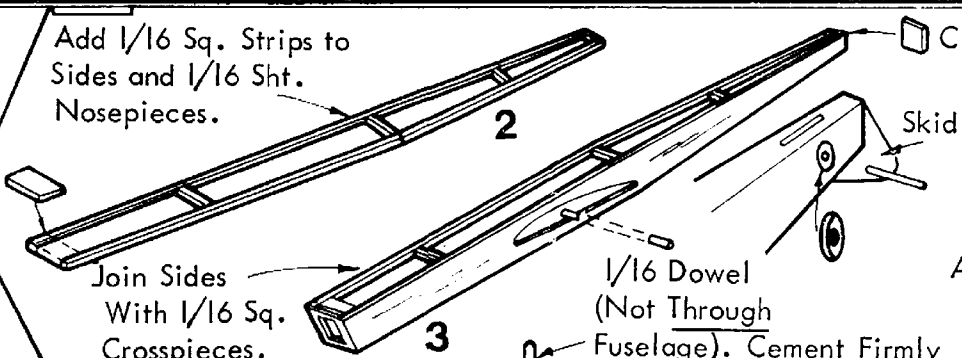
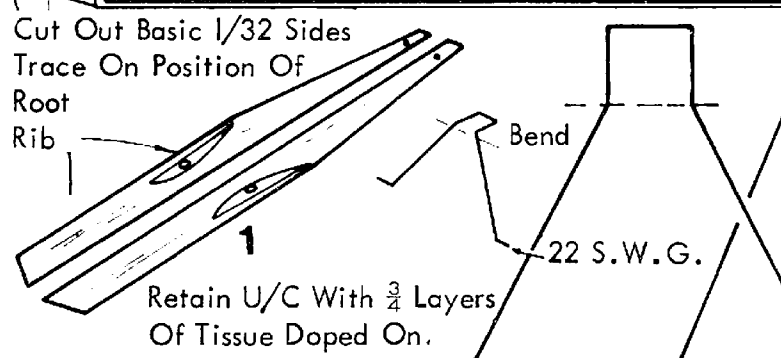
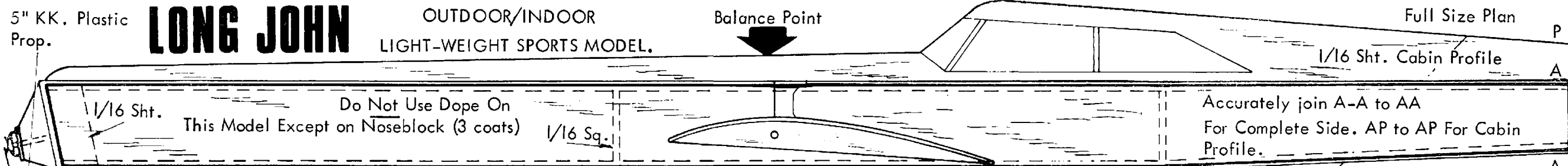
LONG JOHN

OUTDOOR/INDOOR
LIGHT-WEIGHT SPORTS MODEL.

Balance Point

Full Size Plan

5" KK. Plastic Prop.



Power
Test Motor
Loop 17"
Long. 1/8 Flat
Strip Rubber.

Duration
Motor
Loop 2'9"
Long. 1/8 Flat
Strip Rubber

Wing
Panels
1/32 Sht.

Use Medium Grade Sheet
For Entire Model.

Indoor
Round The
Pole (R.T.P.)
Loop

Fin. 1/32 Sht.
Form
Hook
For
Motor

Tailplane 1/32 Sht.

DESIGNED BY RAY MALMSTROM