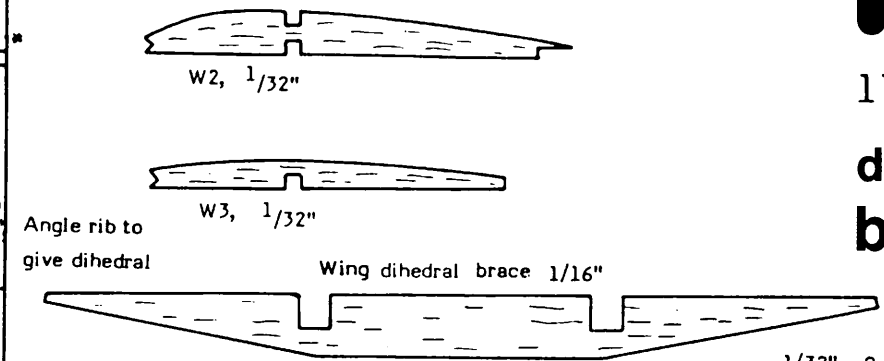
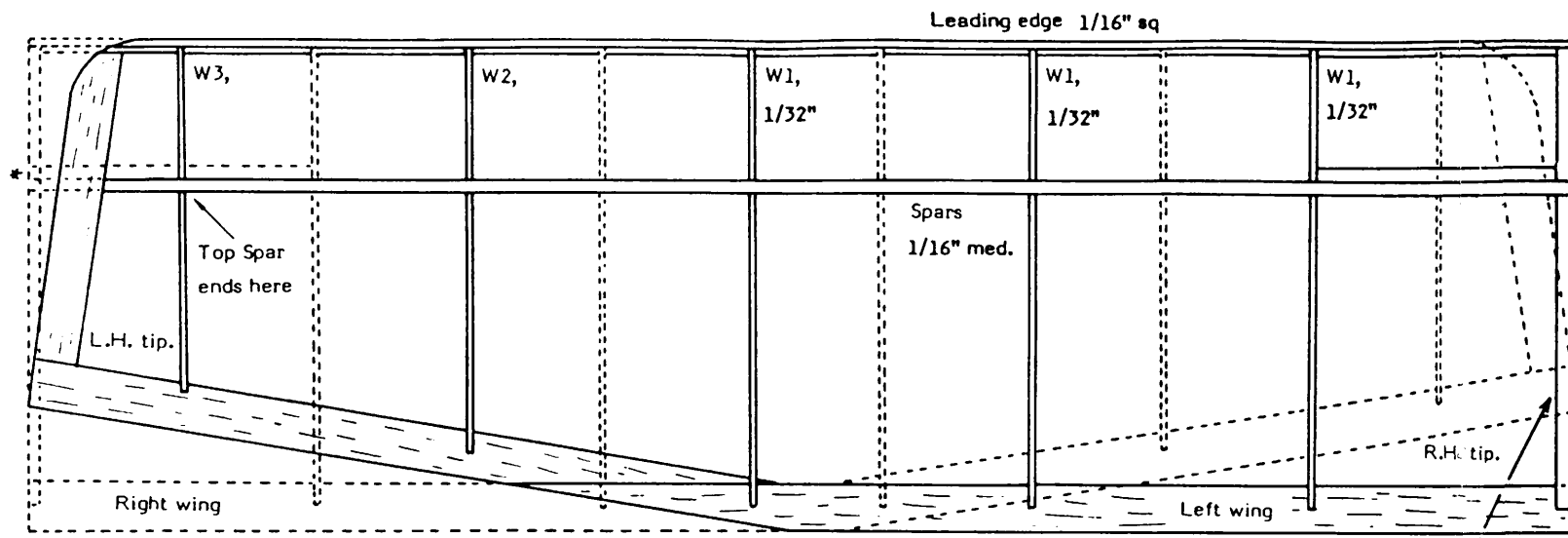


PLACID

17 1/2 inch span (445mm)

designed and drawn
by Richard Preston



- 1/32" = 0.8mm
- 1/16" = 1.5mm
- 1/8" = 3mm
- 3/16" = 4.5mm
- 1/4" = 6mm

MATERIAL Balsa unless stated
 Cover with tissue
 Dope fuselage with slightly thinned dope
 Dope flying surfaces with 60/40 dope/thinner

