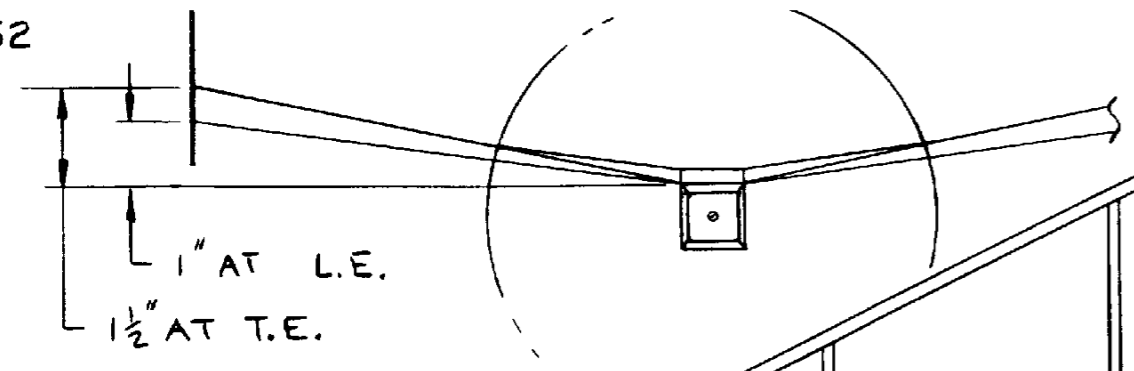
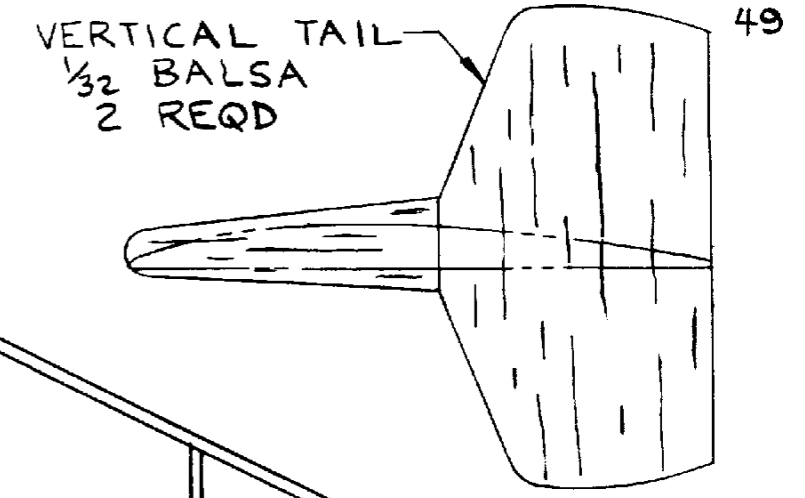


32

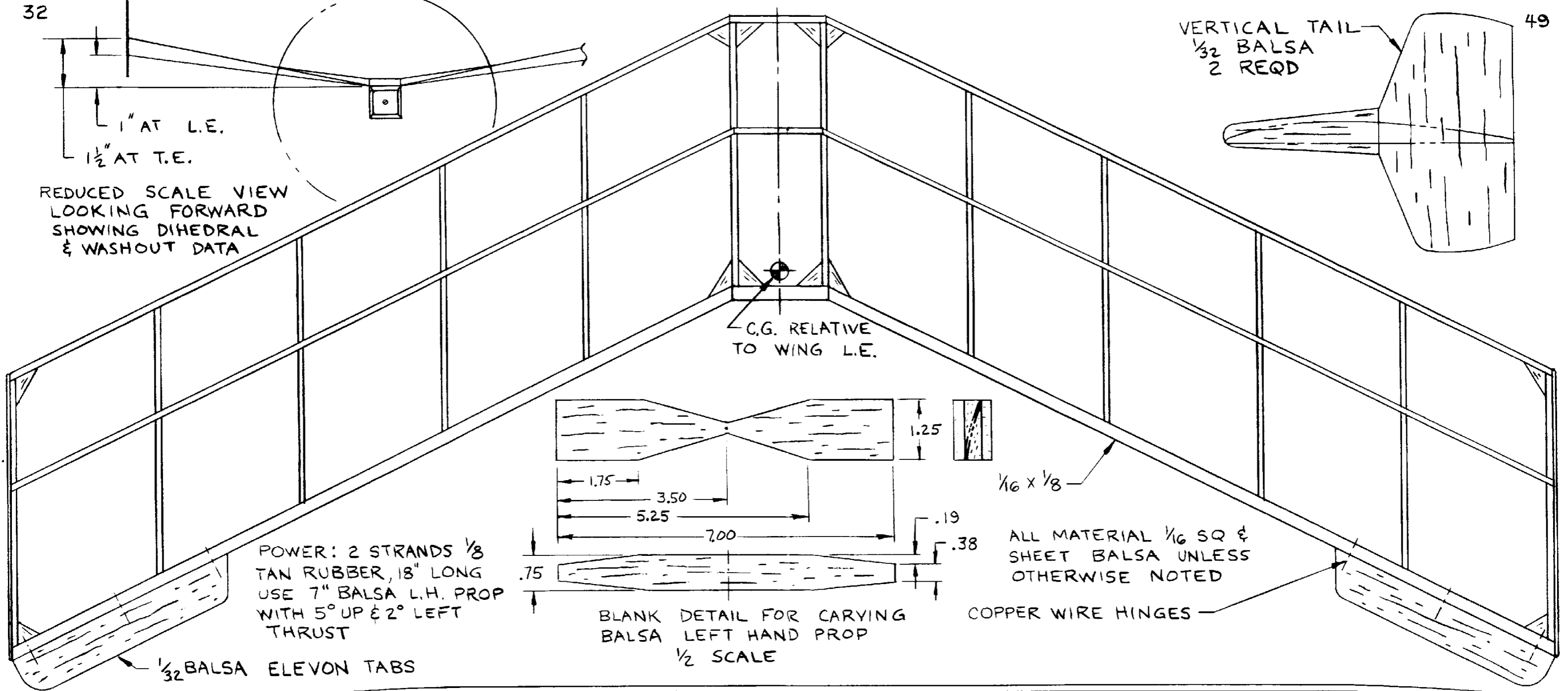


1" AT L.E.  
1 1/2" AT T.E.  
REDUCED SCALE VIEW  
LOOKING FORWARD  
SHOWING DIHEDRAL  
& WASHOUT DATA

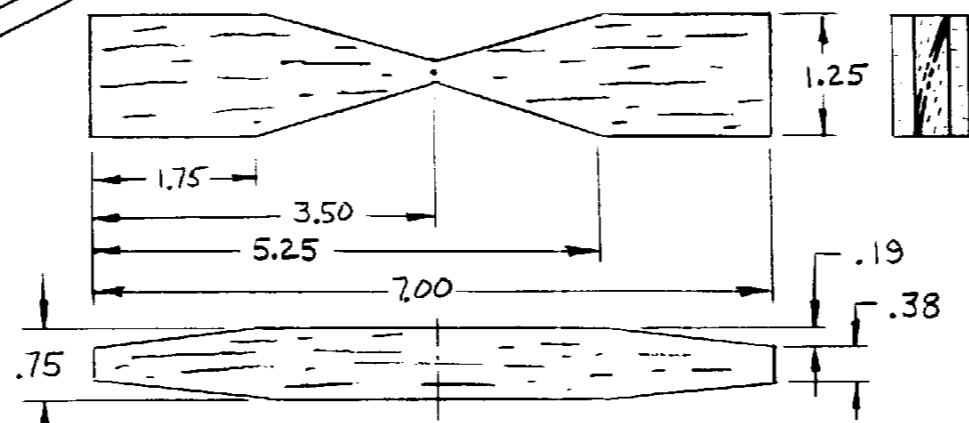


VERTICAL TAIL  
1/32 Balsa  
2 REQD

49



C.G. RELATIVE  
TO WING L.E.



BLANK DETAIL FOR CARRYING  
Balsa LEFT HAND PROP  
1/2 SCALE

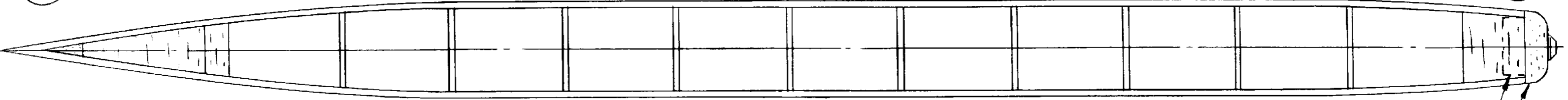
1/16 x 1/8

ALL MATERIAL 1/16 SQ &  
SHEET Balsa UNLESS  
OTHERWISE NOTED

COPPER WIRE HINGES

POWER: 2 STRANDS 1/8  
TAN RUBBER, 18" LONG  
USE 7" Balsa L.H. PROP  
WITH 5° UP & 2° LEFT  
THRUST

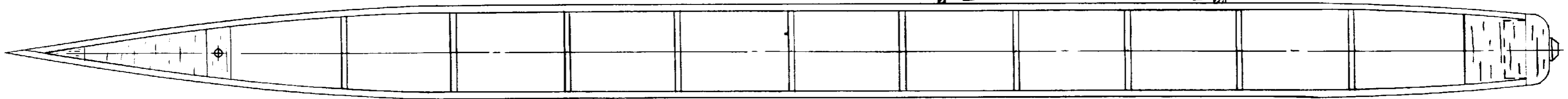
1/32 Balsa ELEVEN TABS



DIRECTION OF FLIGHT

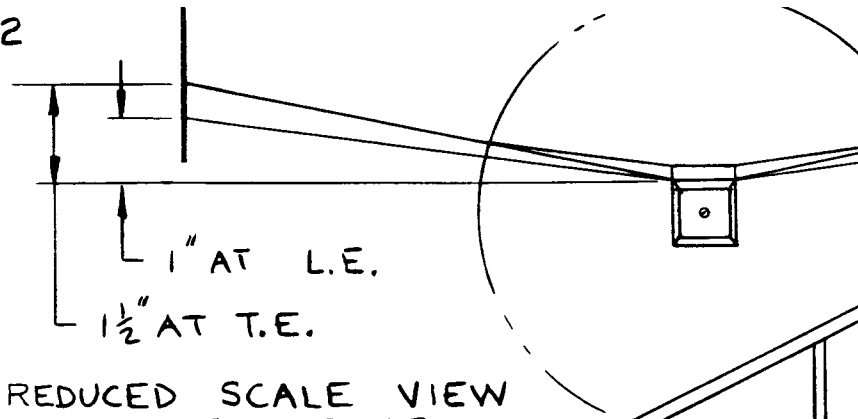
WING RIB  
12 REQD

1/4 Balsa  
BLOCKS



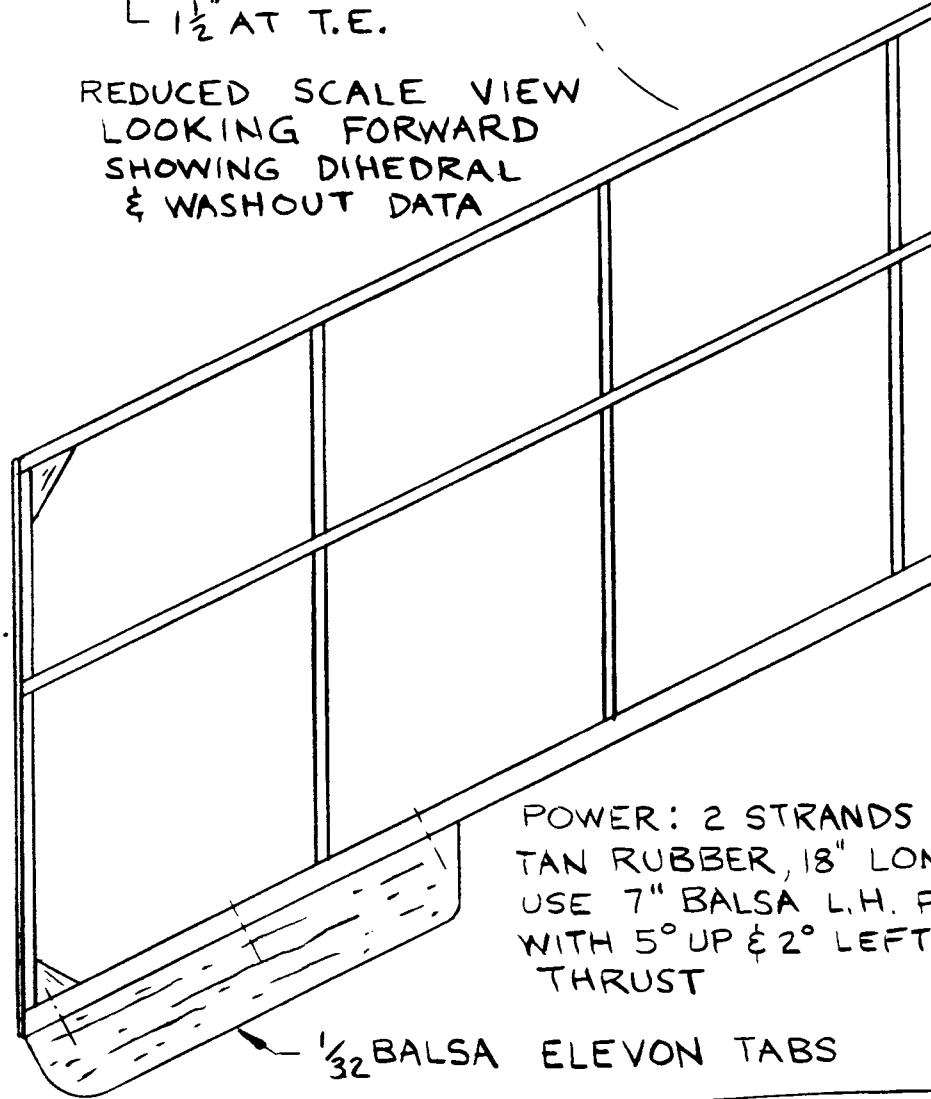
TIM BUCHER 4-98

THE TAILLESS TERROR  
FLYING WING MODEL



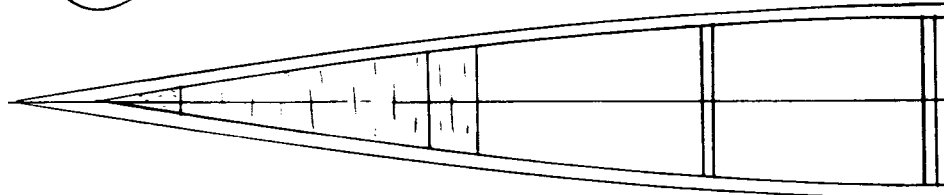
1" AT L.E.  
1 1/2" AT T.E.

REDUCED SCALE VIEW  
LOOKING FORWARD  
SHOWING DIHEDRAL  
& WASHOUT DATA

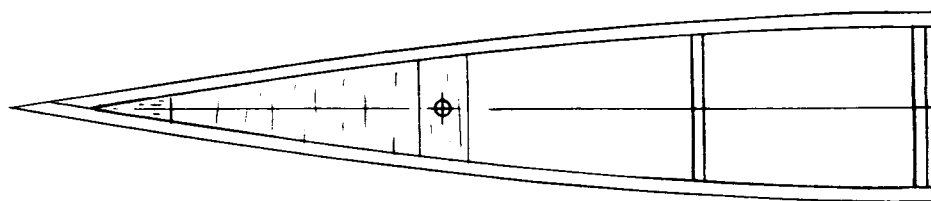


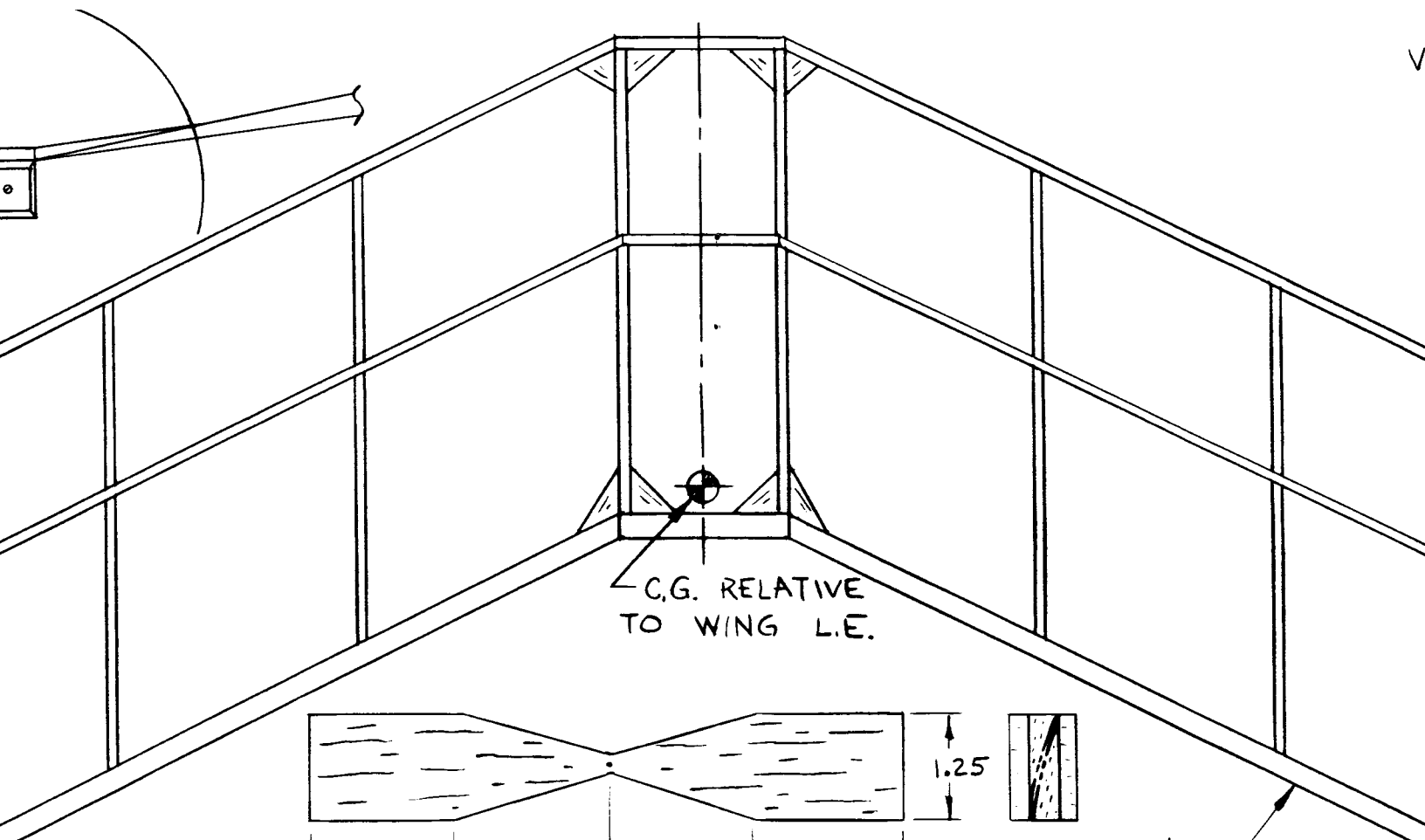
POWER: 2 STRANDS  
TAN RUBBER, 18" LONG  
USE 7" Balsa L.H. F  
WITH 5° UP & 2° LEFT  
THRUST

1/32 Balsa ELEVON TABS

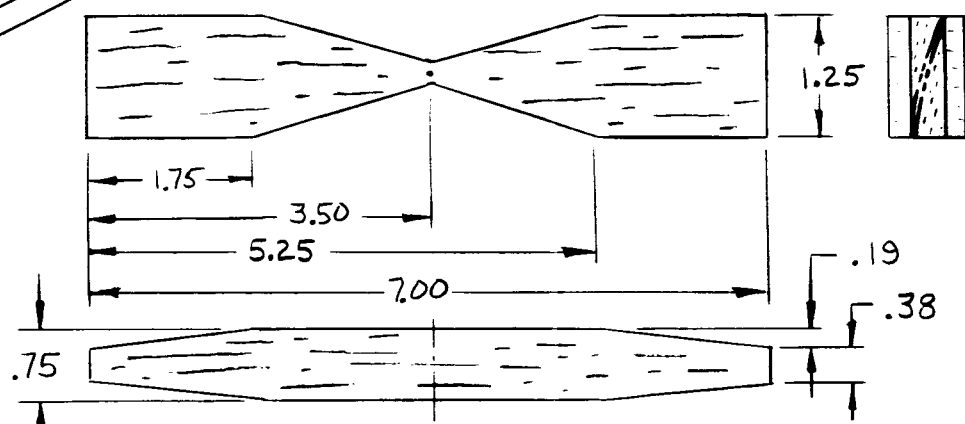


← DIRECTION OF FLIGHT





C.G. RELATIVE TO WING L.E.



$\frac{1}{16} \times \frac{1}{8}$

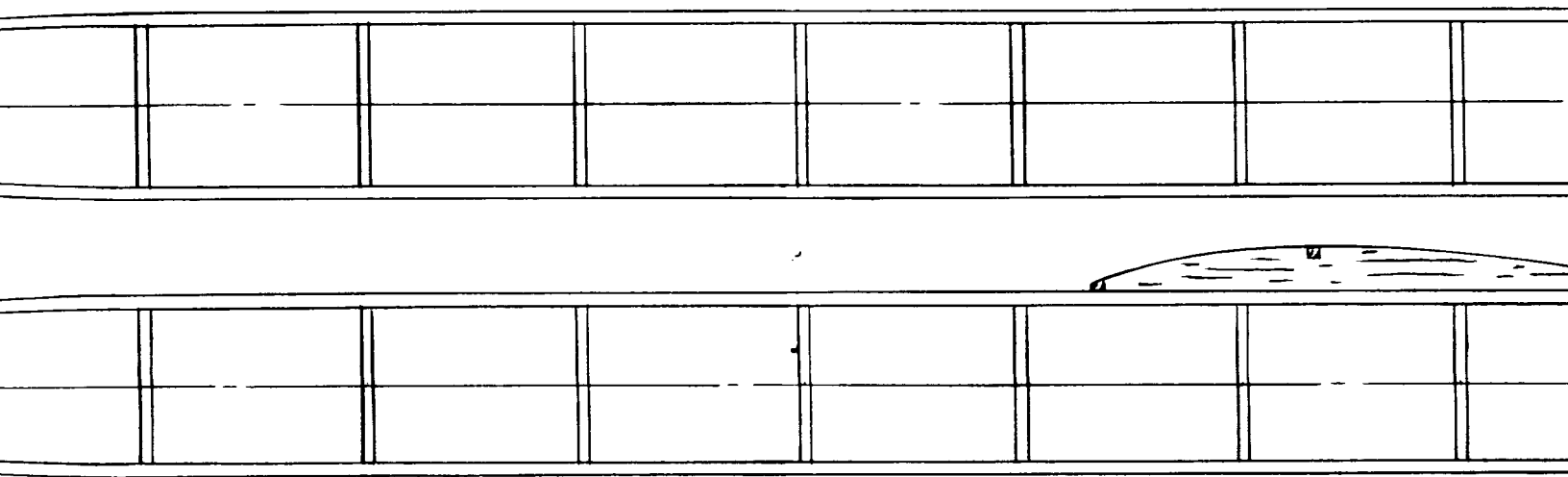
ALL MATERIAL  $\frac{1}{16}$  SHEET Balsa OTHERWISE NOT

COPPER WIRE HINGES

BLANK DETAIL FOR CARRYING Balsa LEFT HAND PROP  $\frac{1}{2}$  SCALE

STRANDS  $\frac{1}{8}$  18" LONG  
A L.H. PROP 2° LEFT

ABS



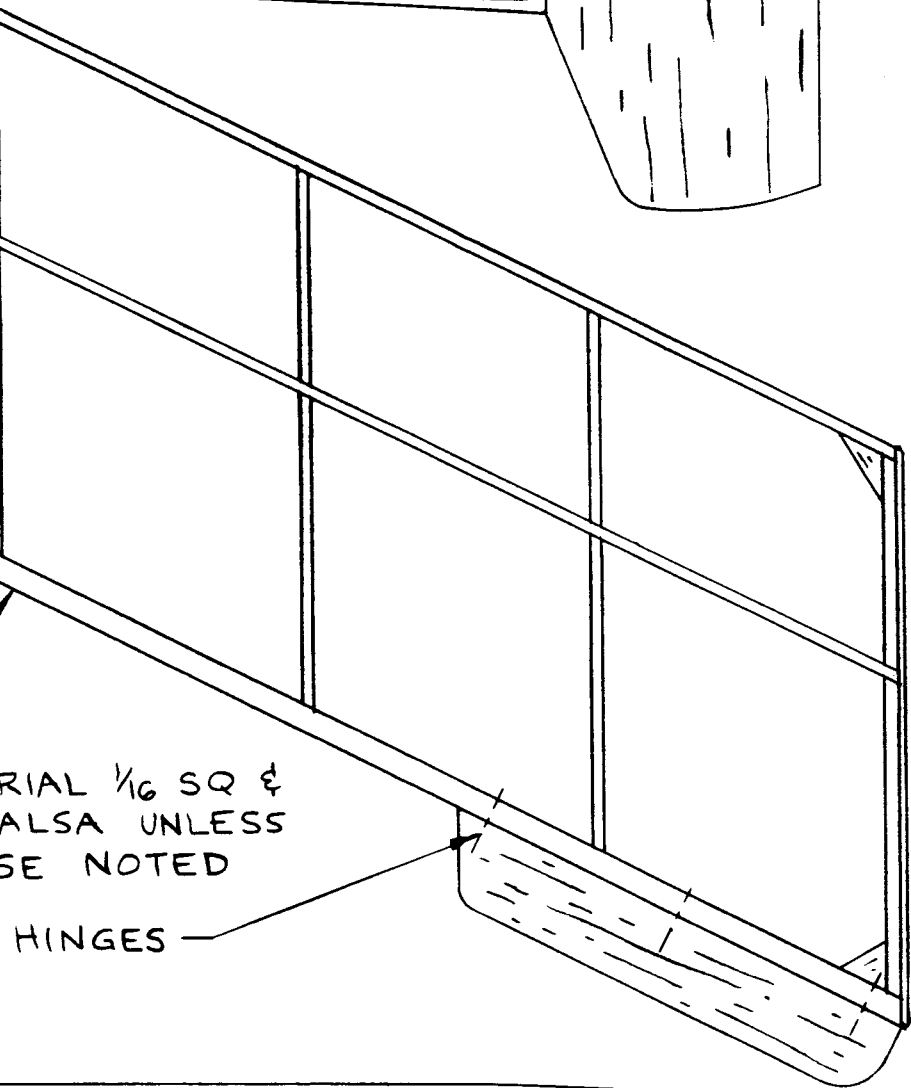
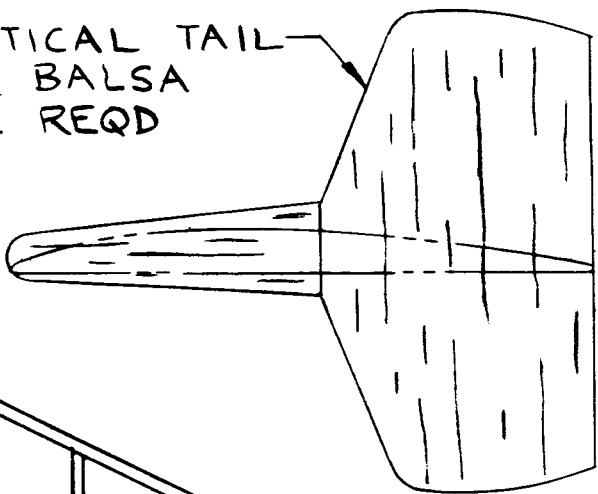
TIM BUCHER 4-98

THE FLYIN

S RESERVED

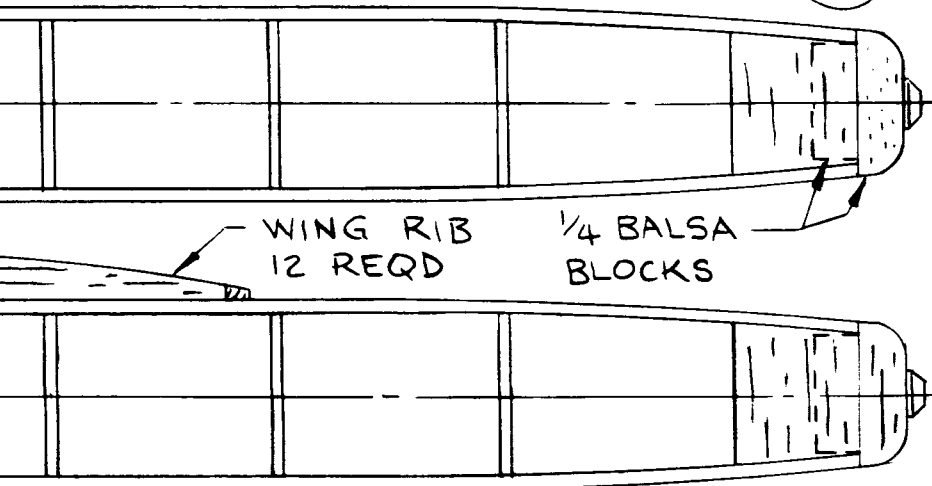
VERTICAL TAIL  
1/32 Balsa  
2 REQD

49



MATERIAL 1/16 SQ &  
Balsa UNLESS  
OTHERWISE NOTED

HINGES



WING RIB  
12 REQD

1/4 Balsa  
BLOCKS

THE TAILLESS TERROR  
FLYING WING MODEL