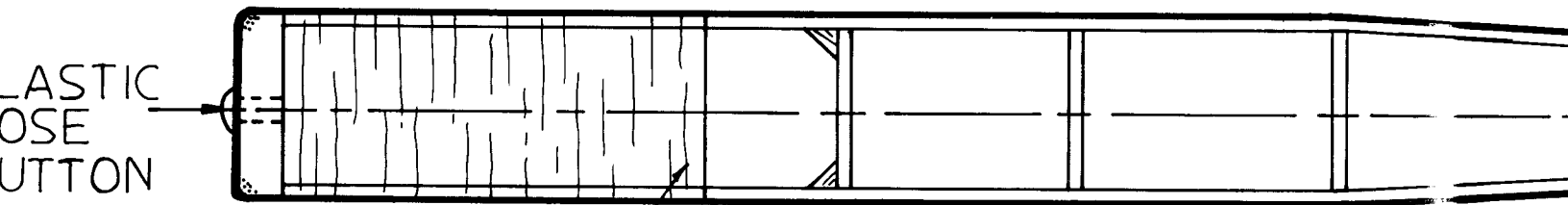
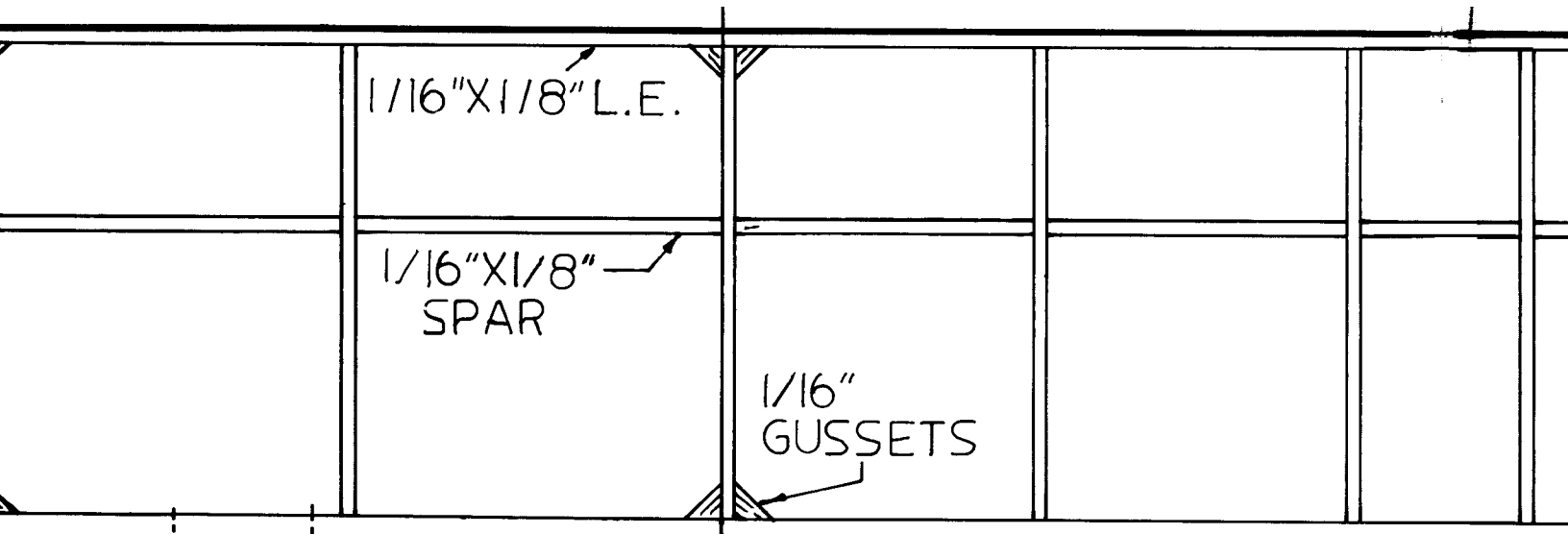
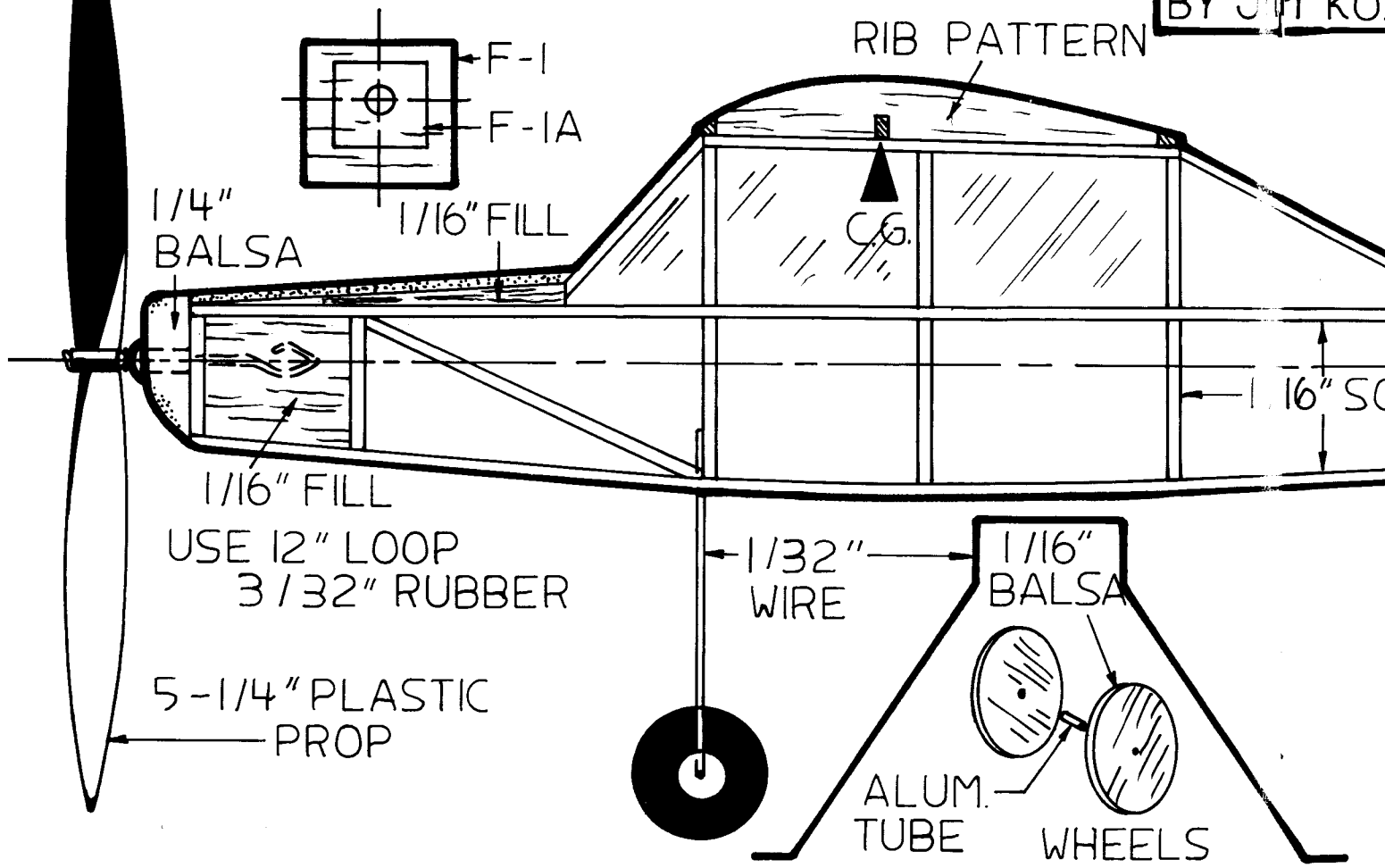


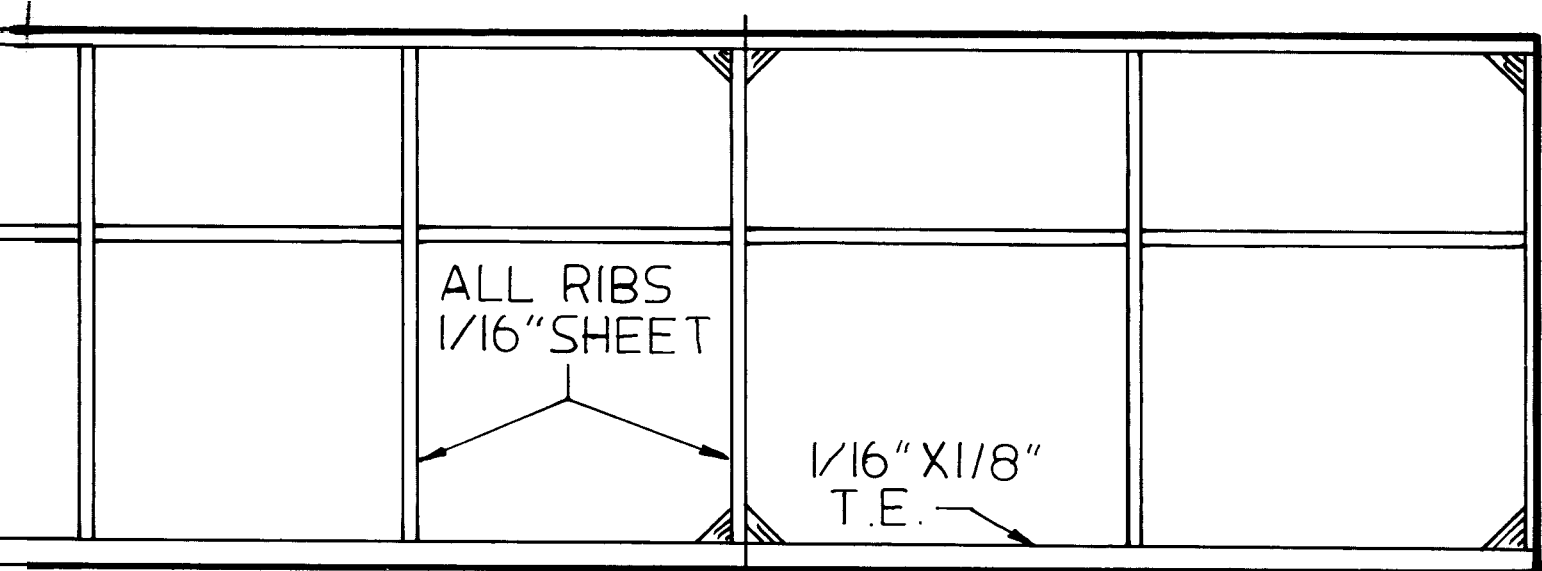
PLAST  
NOSE  
BUTTO

—

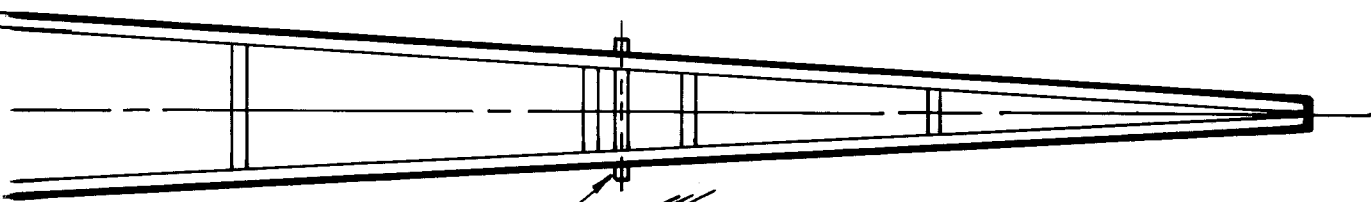


**TUTOR - BEGINNERS' RUBBER TRAINER**  
 BY JIM KO



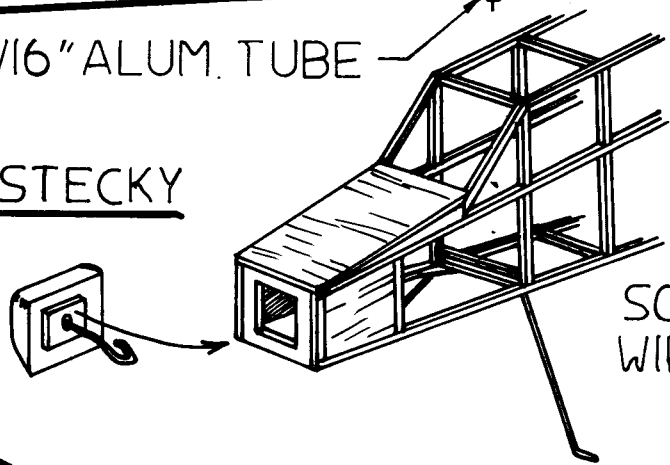


DIHEDRAL BREAK - 1" EACH TIP



1/16" ALUM. TUBE

M KOSTECKY



SOFT  
WIRE

