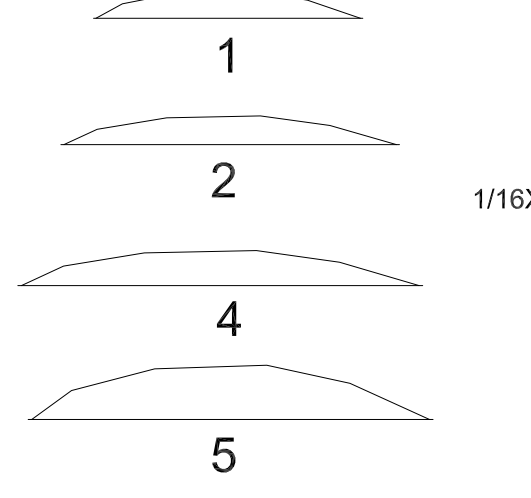
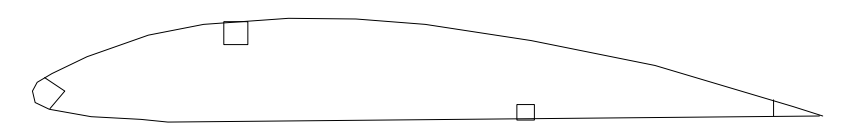
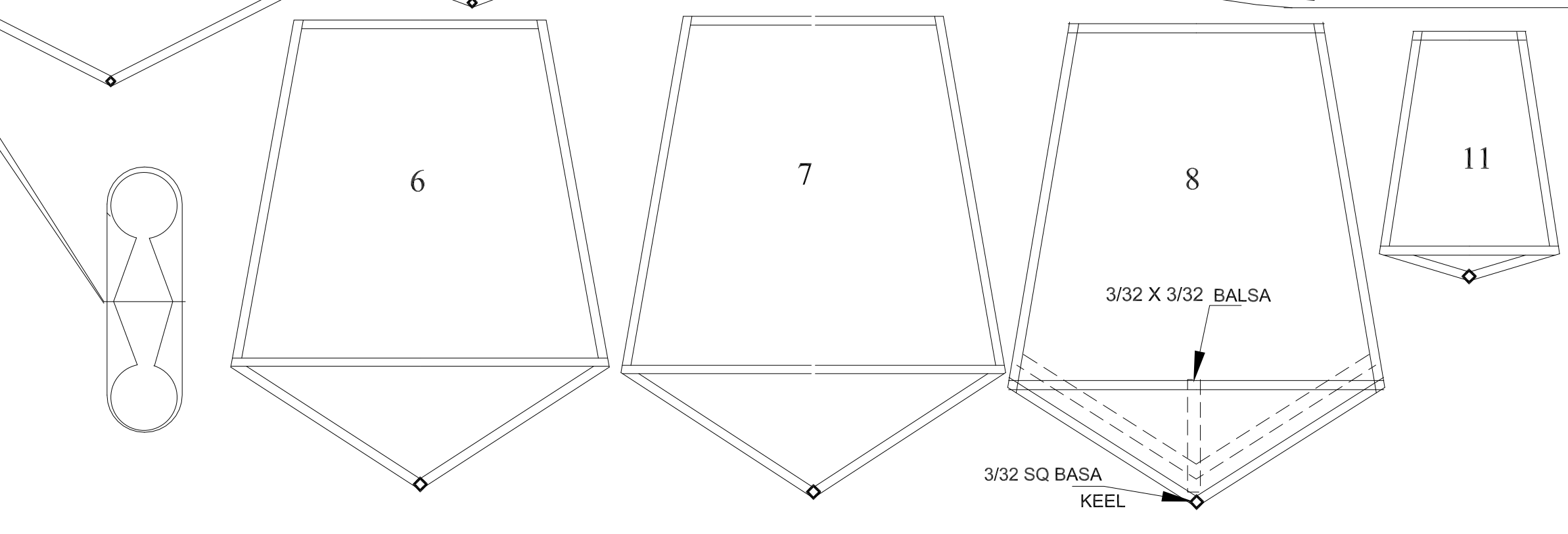
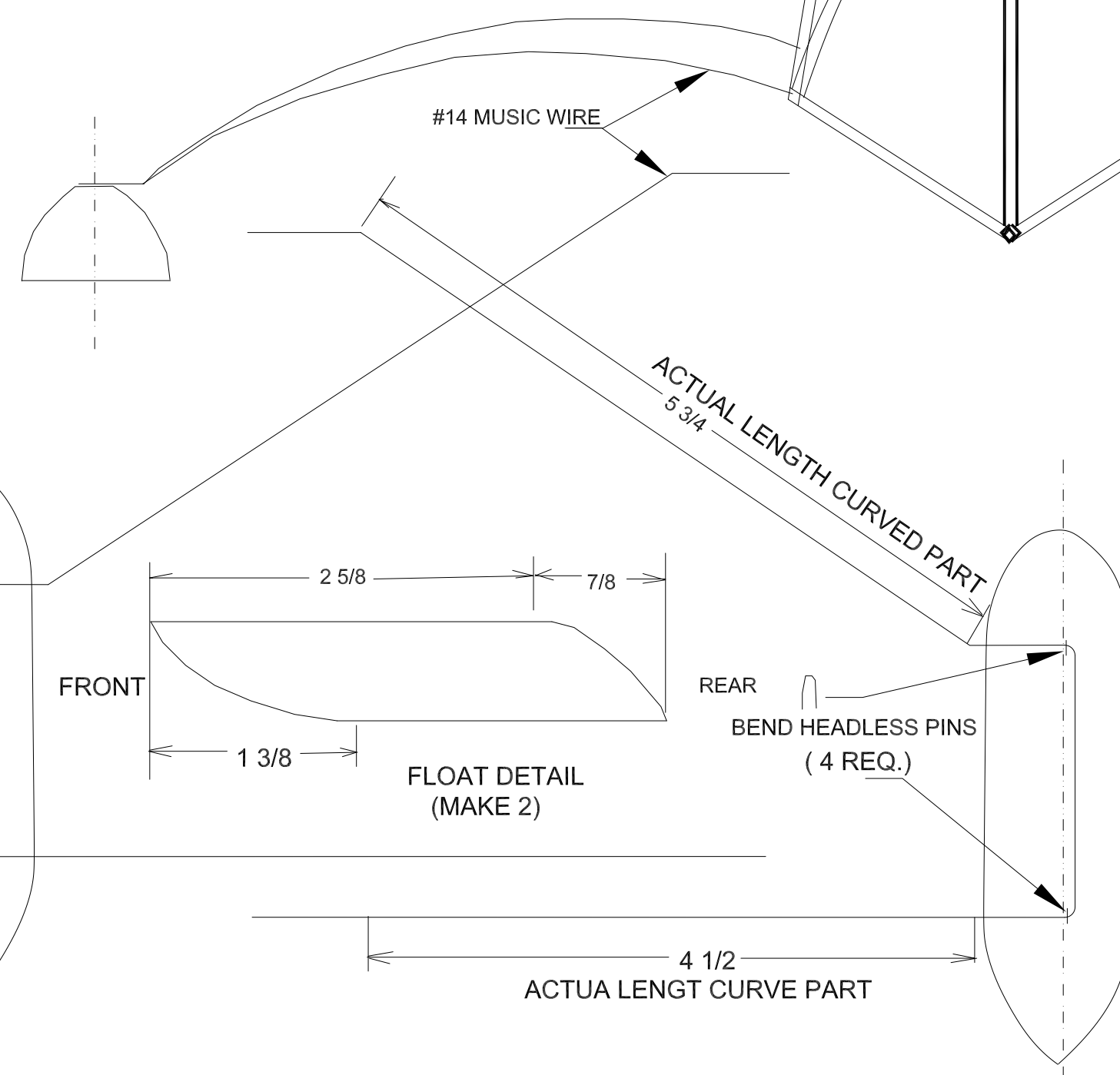
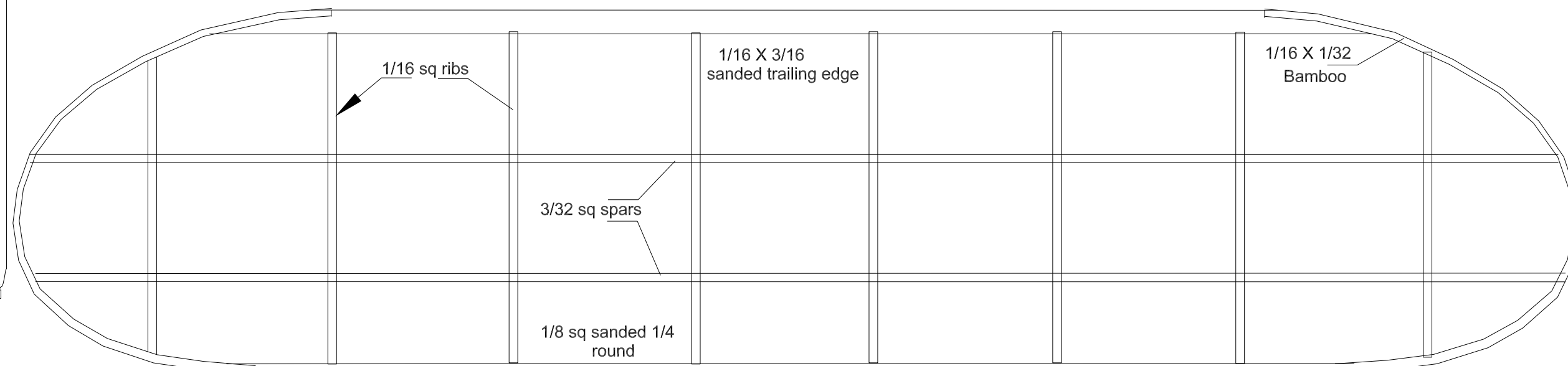
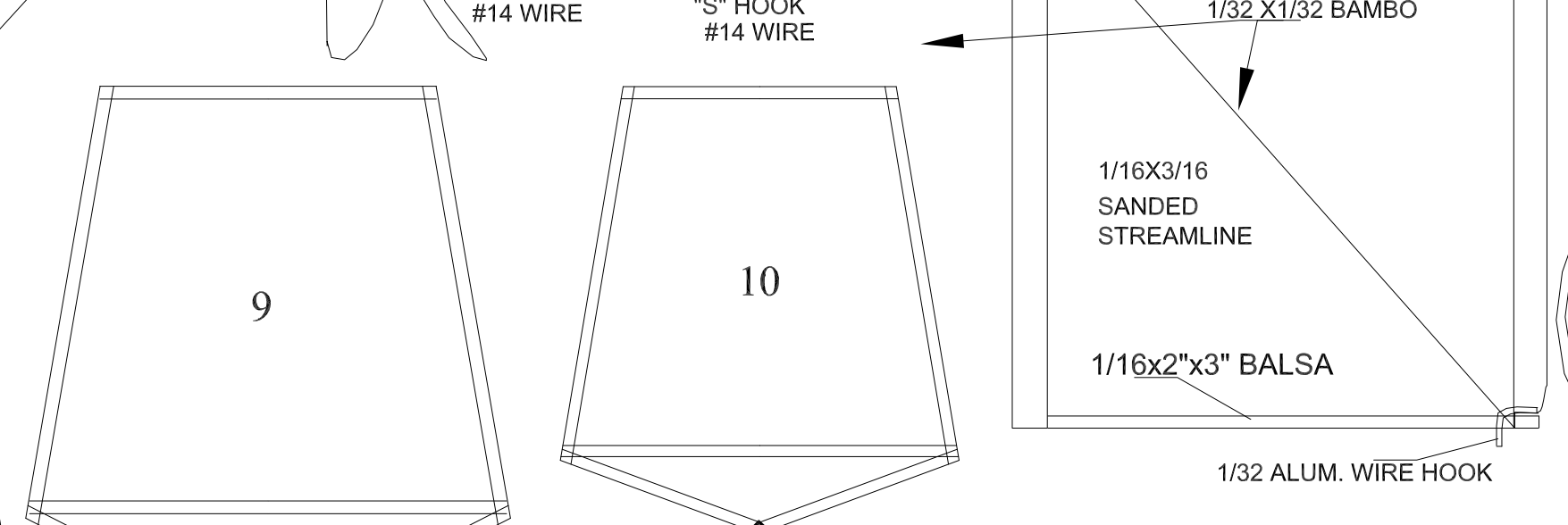
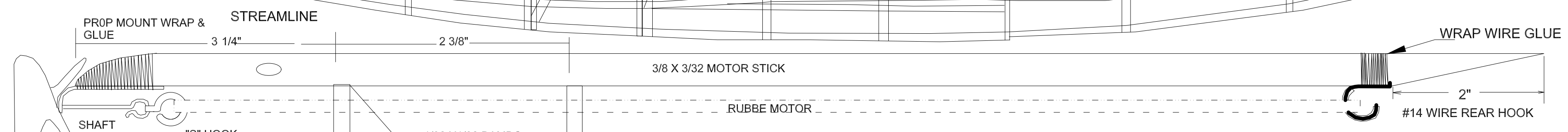


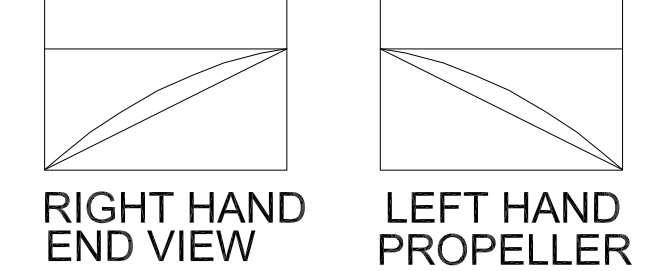
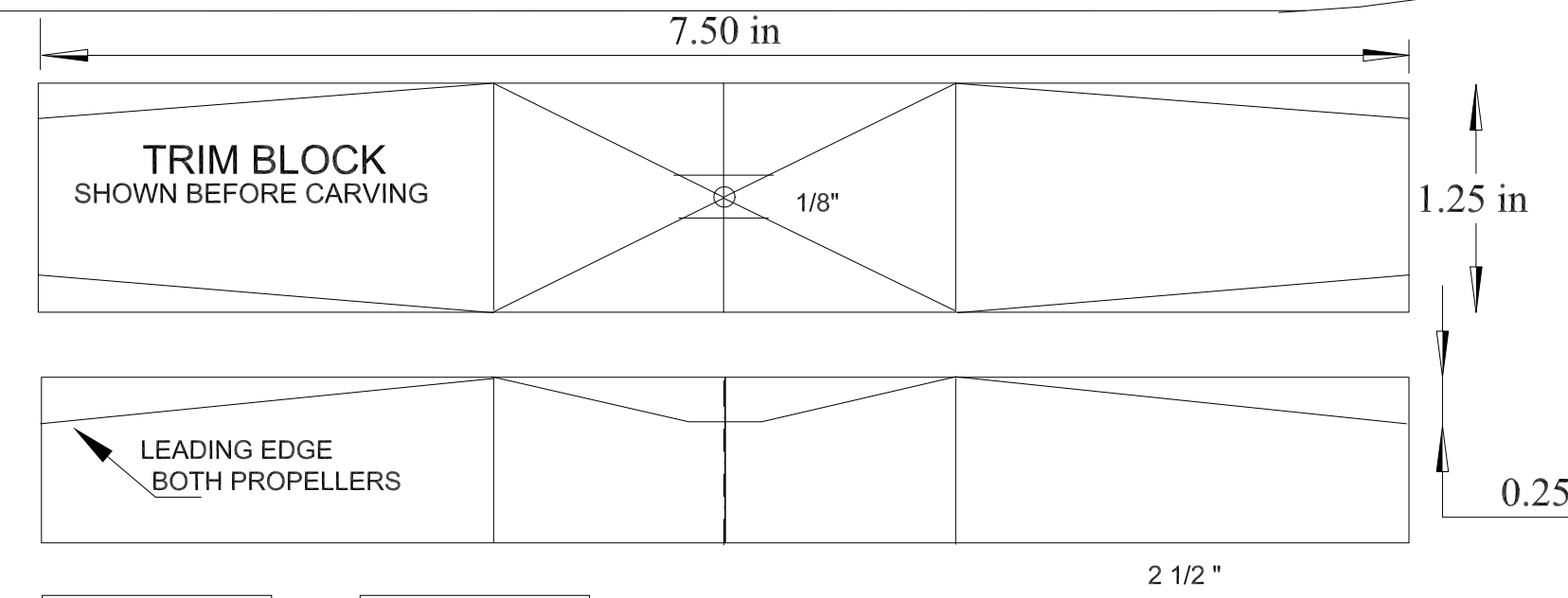
FULL SIZE LANDING GEAR LAYOUT



DECK FAIRING SUPPORTS
1/16 Balsa



SUGGESTED WING RIB
AUG '94



TRACED FROM AN ORIGINAL PLAN
FOR OLDTIMER MODEL SUPPLY BY
BOB JONES
TRUE TRACE INCLUDING ORIGINAL LETTERING
NO CHANGES MADE, SUGGESTED WING RIB SHOWN

REDRAWN IN CAD BY
TOM AKERY APRIL 2015

OLDTIMER PLAN # 517

COUNTRY CLUB
MONSOON CLIPPER
DESIGNED BY
COUNTRY CLUB AERO SUPPLY CO.
2329 1/2 TRISTATE
KANSAS CITY, MISSOURI
SCALE FULL SIZE