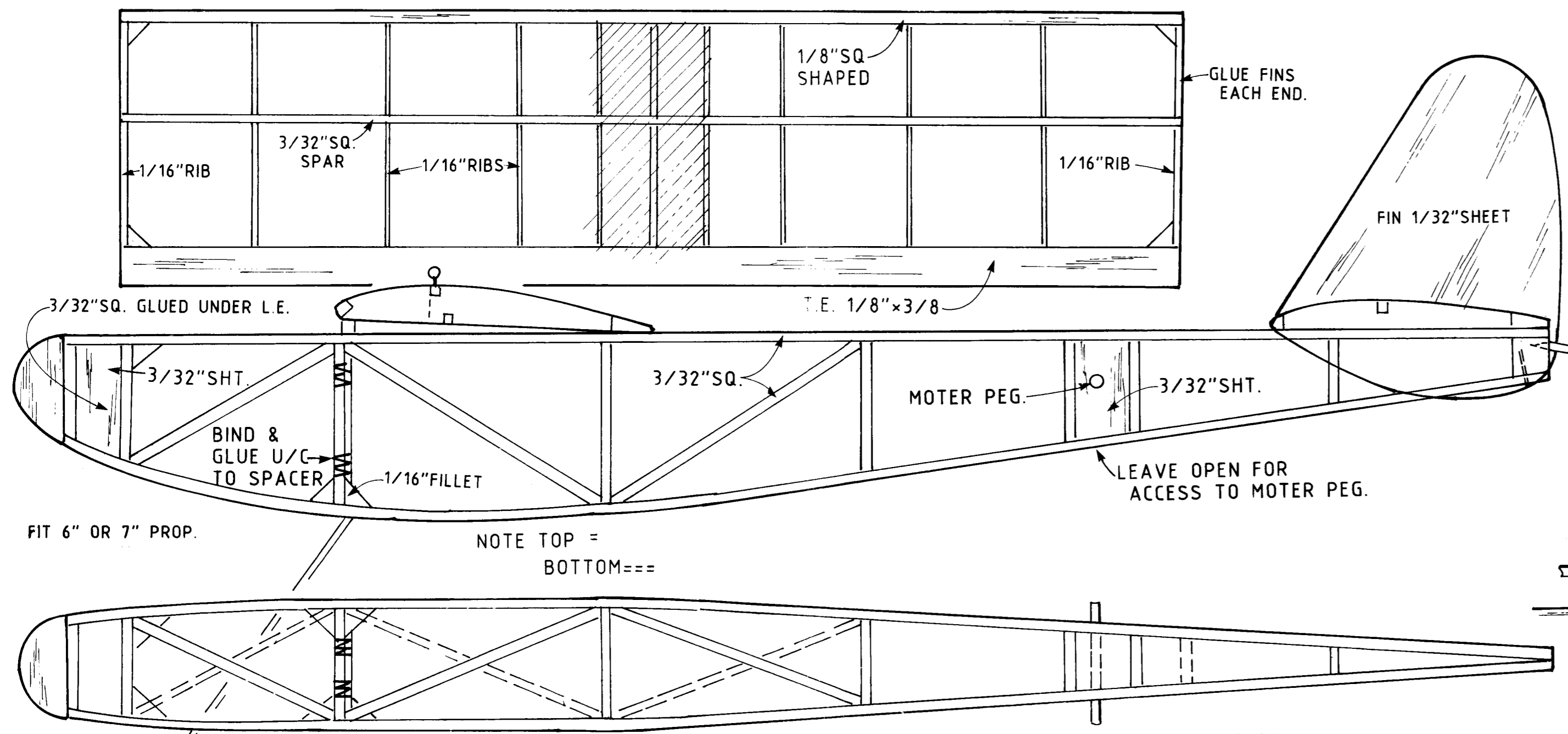


A 22" SPAN SIMPLE RUBBER POWERED MODEL FOR INDOOR OR OUTDOOR FLYING

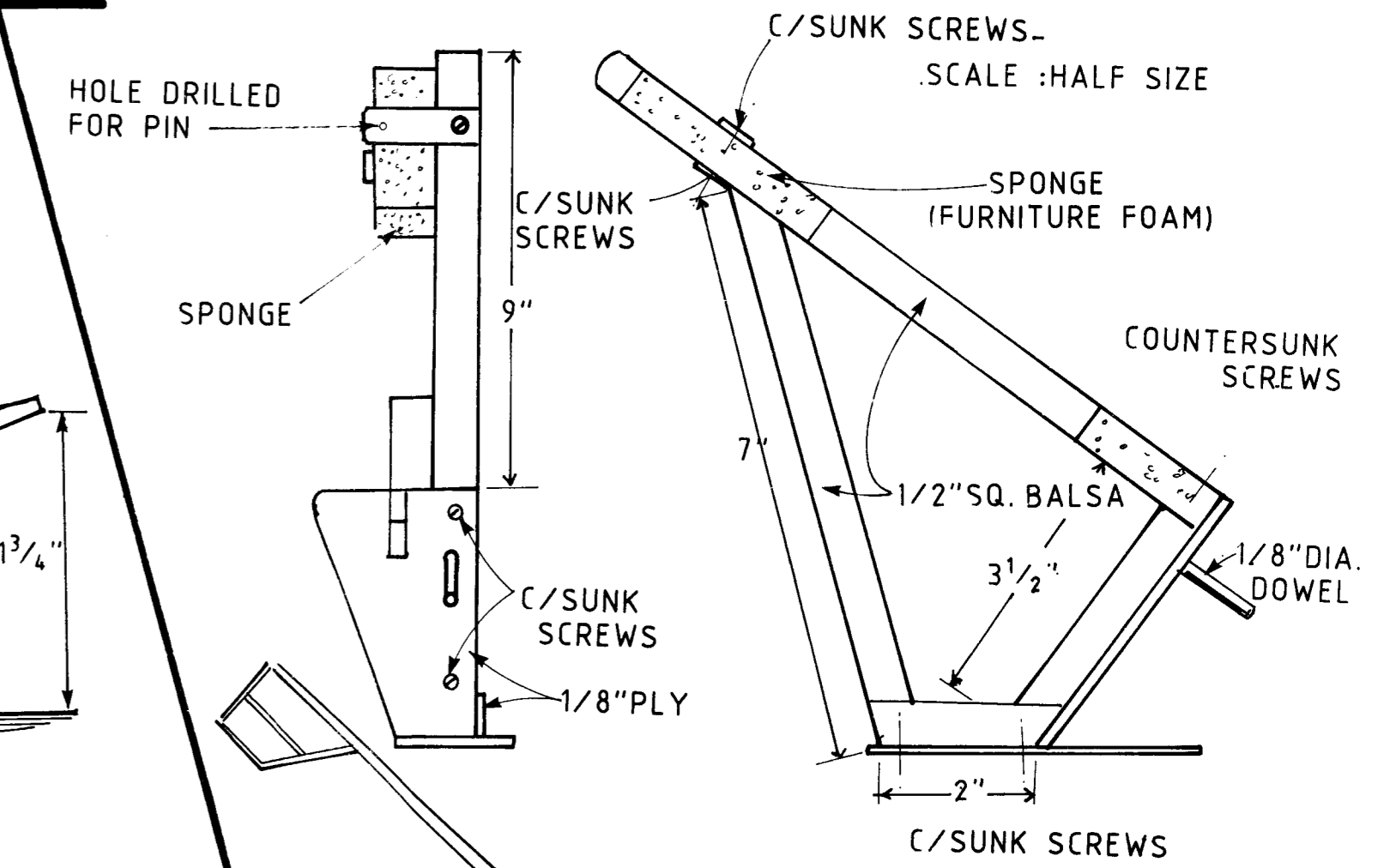
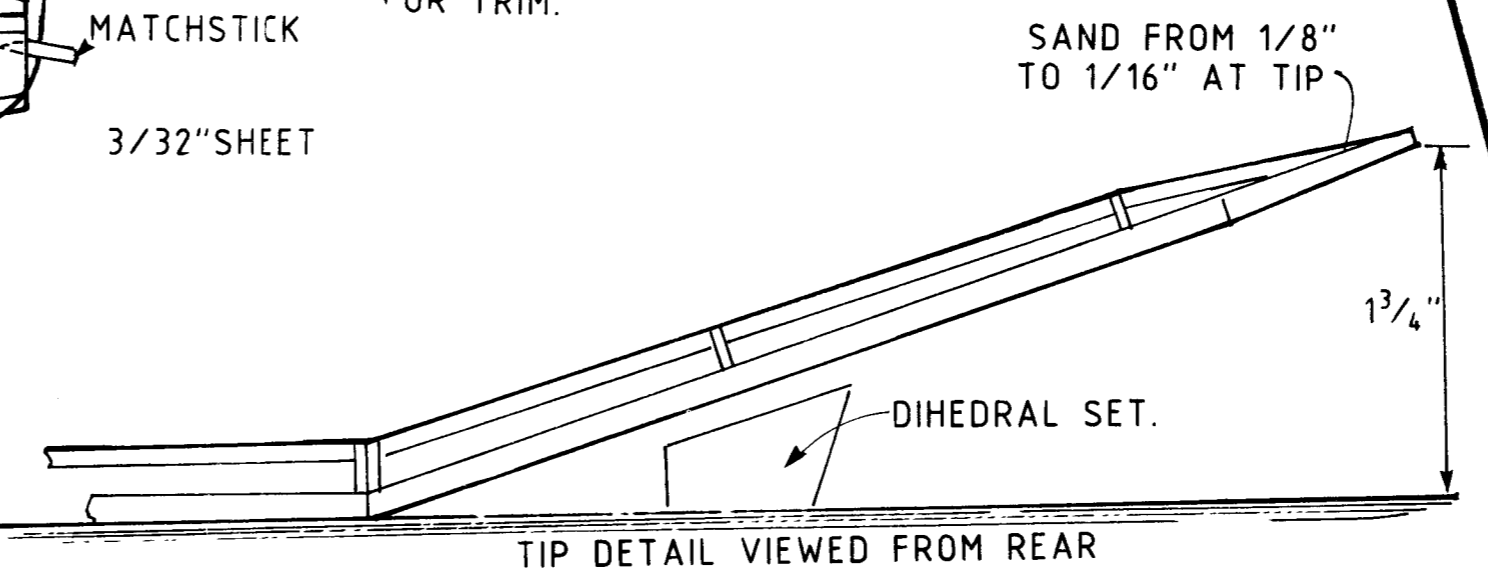
SWIFT

DESIGNED BY
MARK BEES

& WINDING JIG



* LOOP RUBBER BANDS AROUND FUSELAGE & HOOK ONTO PIN. MOVE WING BACKWARD & FORWARD FOR TRIM.



MODEL SHOWN ON JIG. NOT TO SCALE.

CLAMP AS NORMAL TO WORKTOP.

