

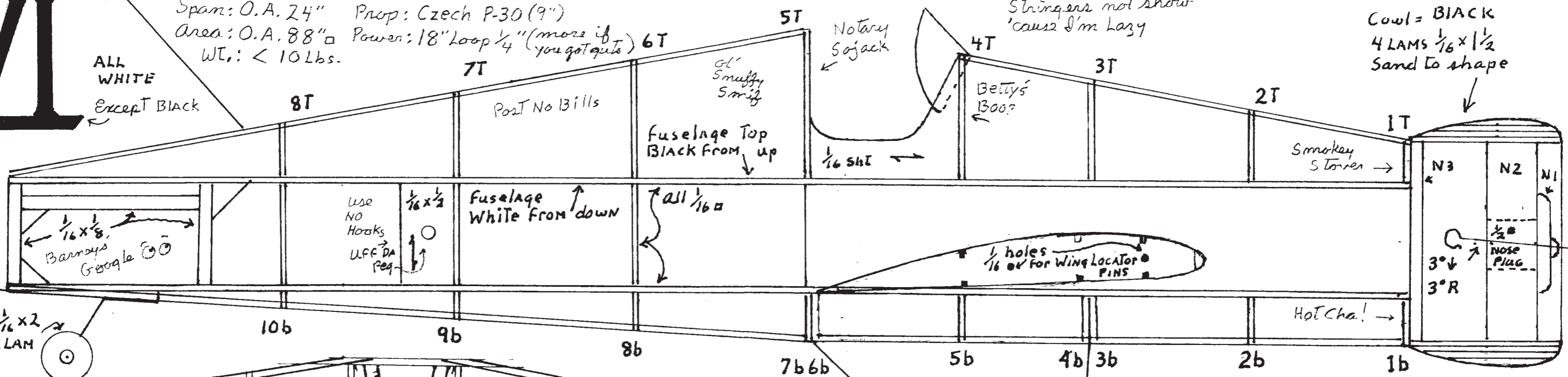
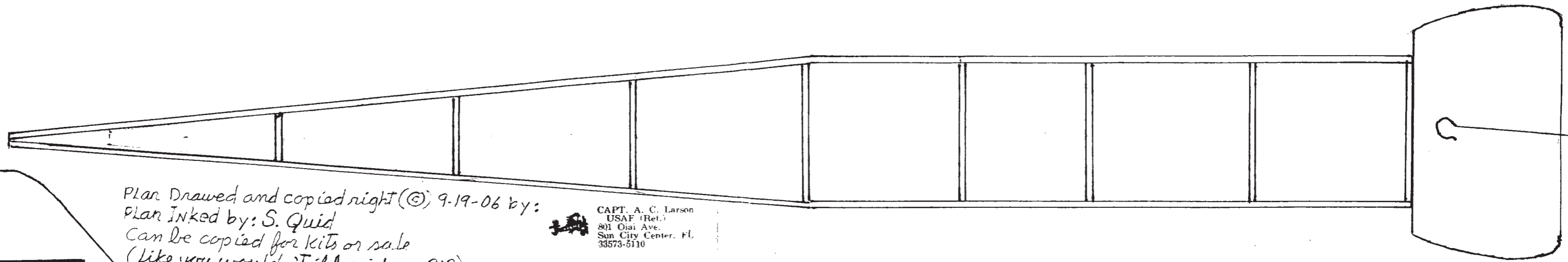
VI

Plan Drawed and copied right (©) 9-19-06 by:
 Plan Inked by: S. Quid
 Can be copied for kits or sale
 (Like you wouldnt if I said no ???)

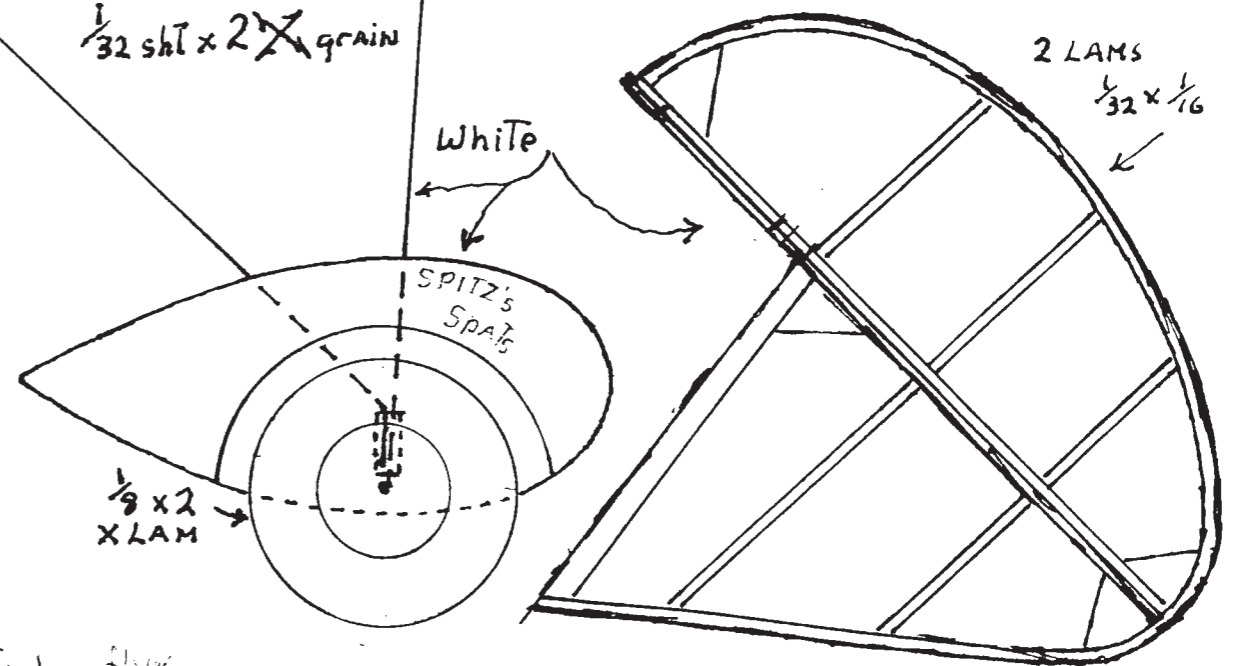
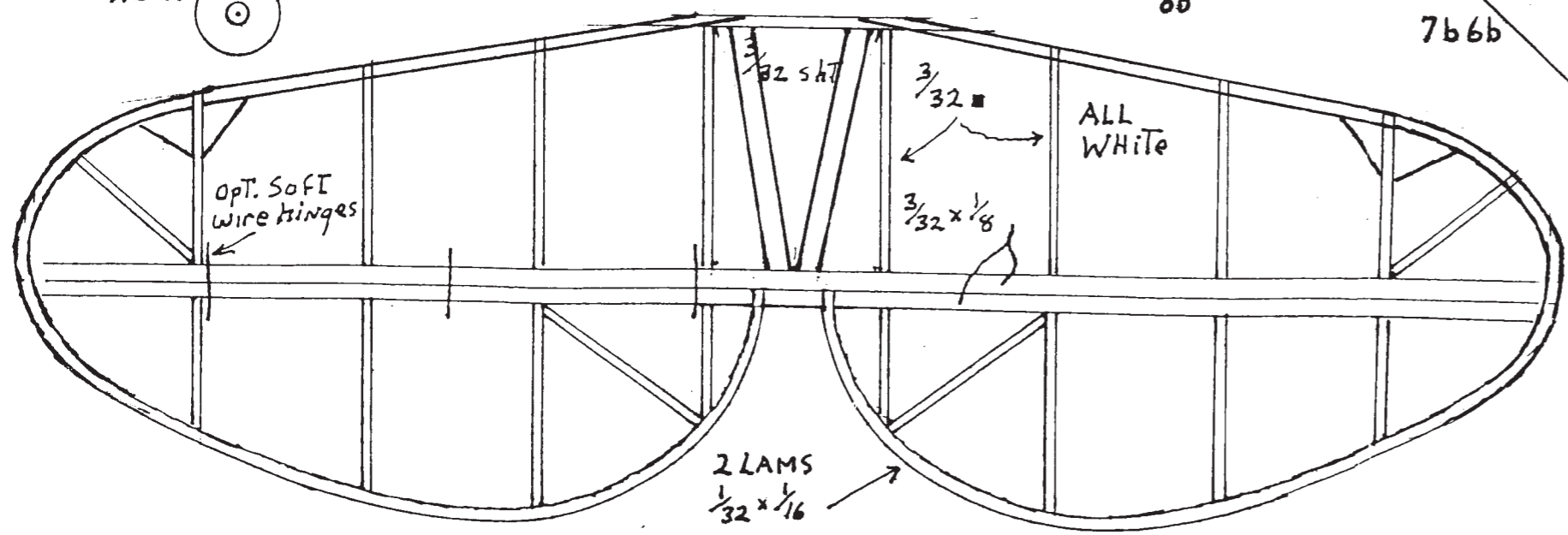
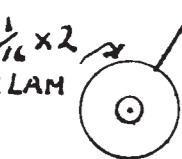
CAPT. A. C. Larson
 USAF (Ret.)
 801 Ojai Ave.
 Sun City Center, FL
 33573-5110

Span: O.A. 24" Prop: Czech P-30 (9")
 Area: O.A. 88" Power: 18" Loop 1/4" (more if you got guts)
 WT.: < 10 lbs.

ALL WHITE
 Except Black



Cowl = BLACK
 4 LAMS 1/16 x 1/2
 Sand to shape

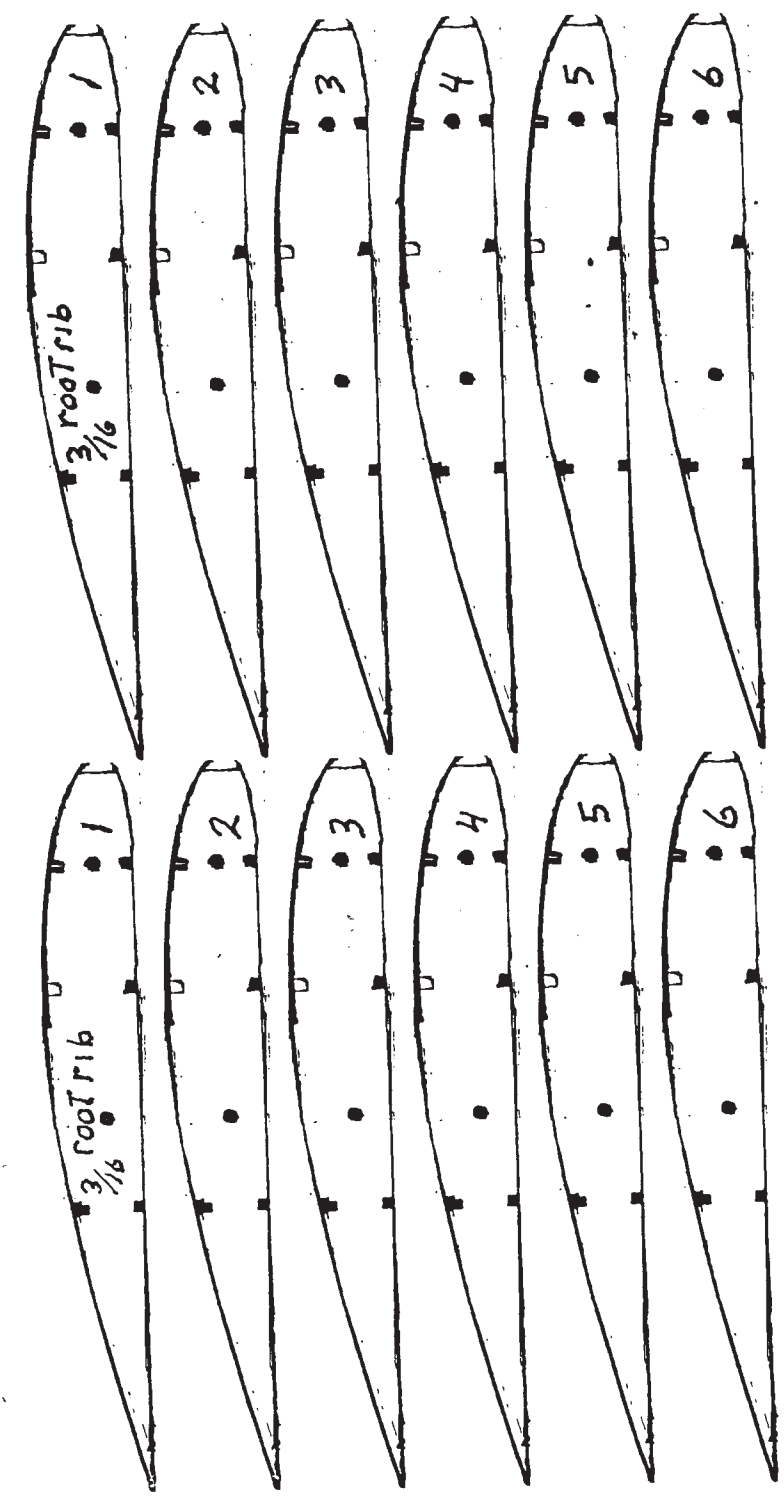
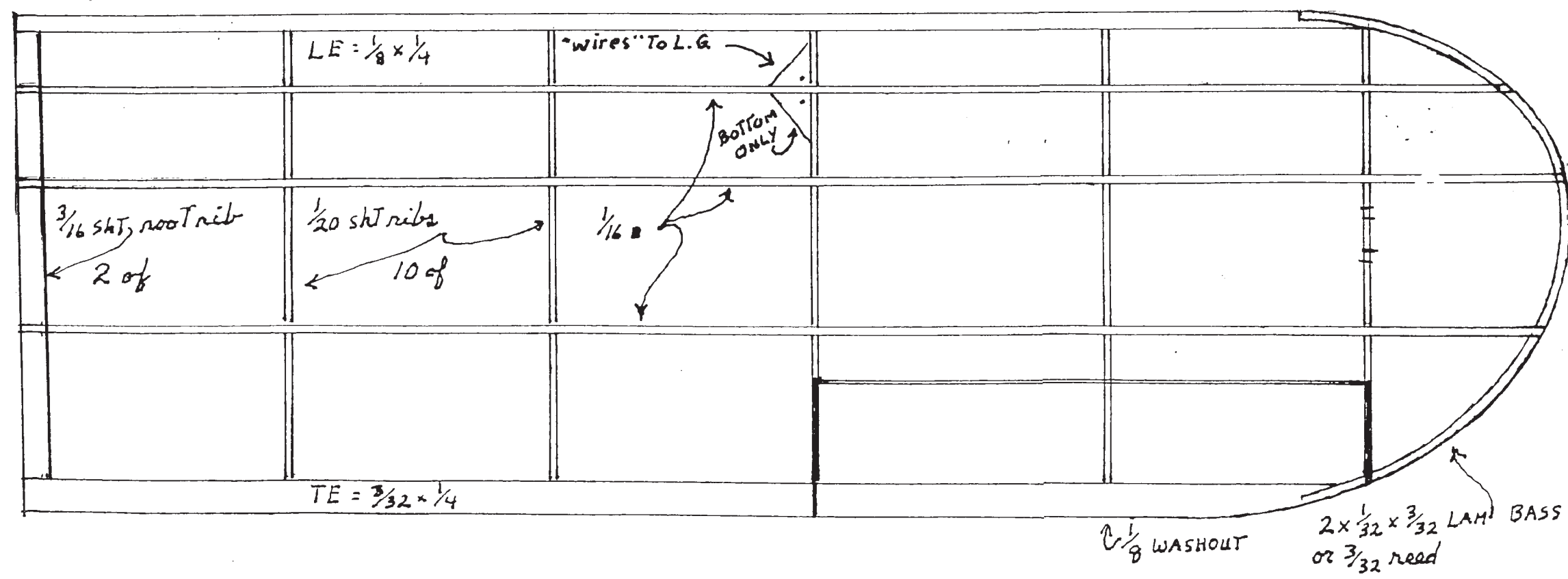
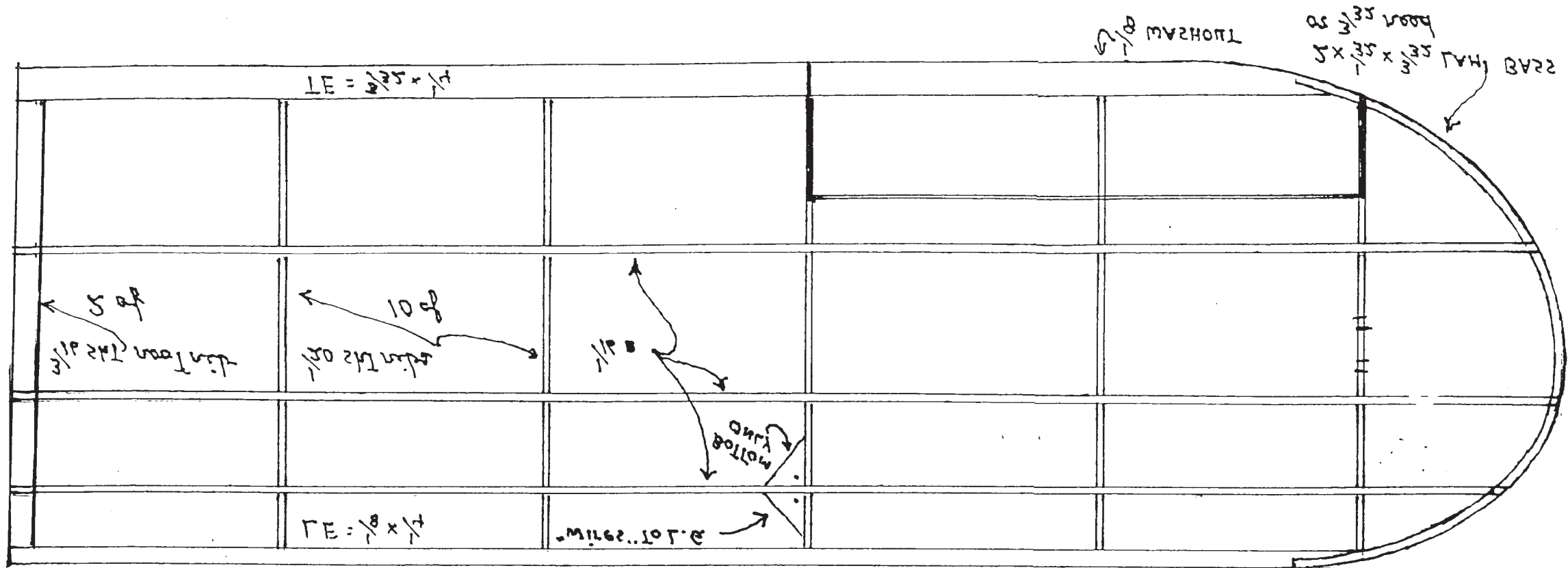


2 LAMS
 1/32 x 1/16

1

Station flyer
 from Smith's

07# VI (copy)



22AB HAM 25/32 x 1/32
 25 x 1/32 x 1/32

2 x 1/32 x 3/32 LAM BASS
 or 3/32 need

OP # VI