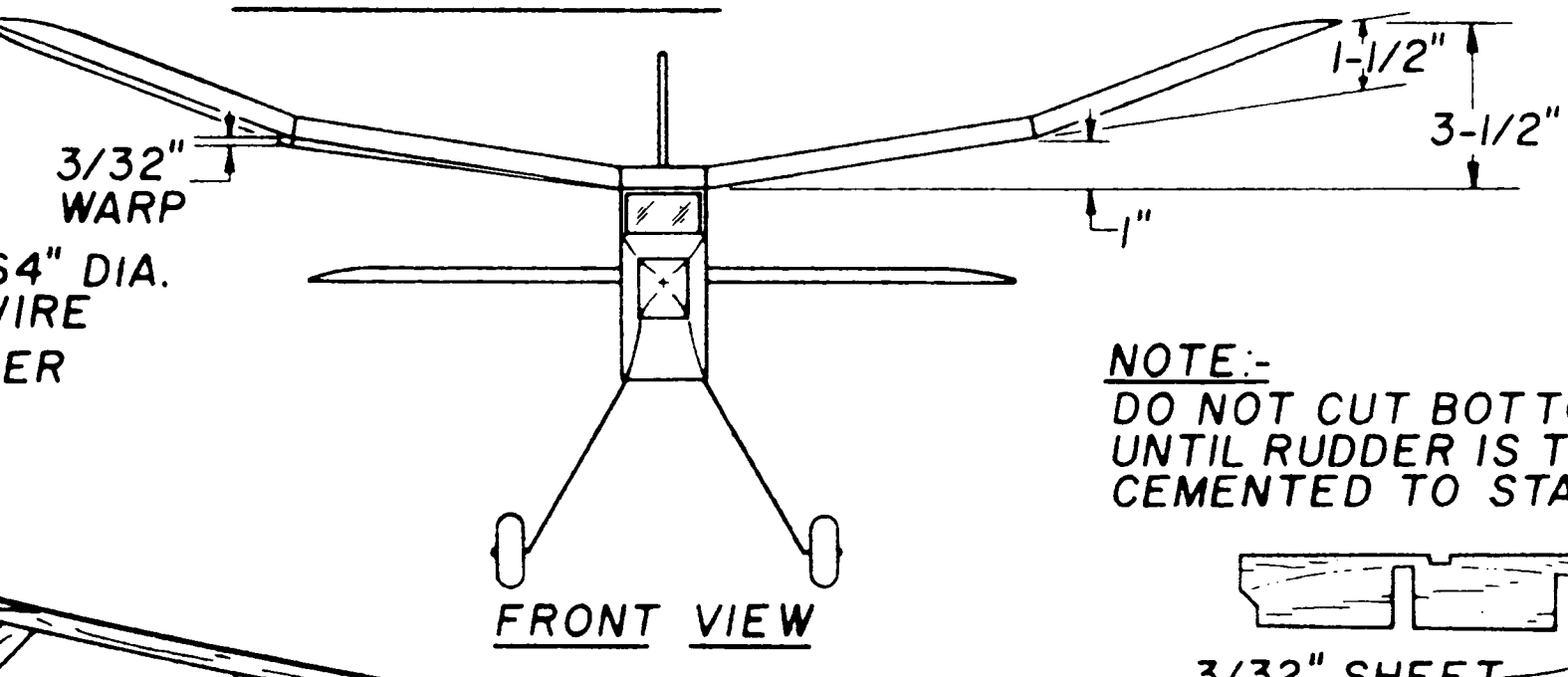
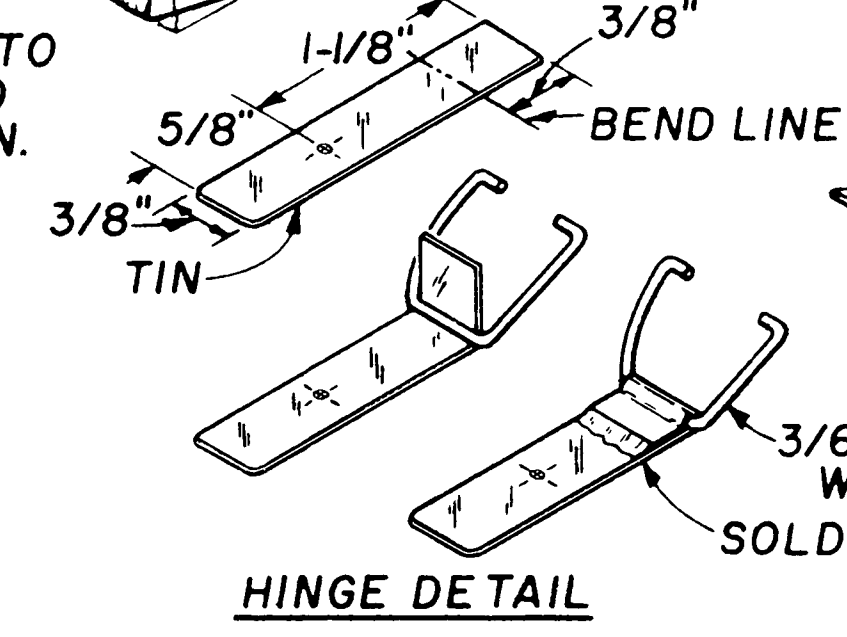
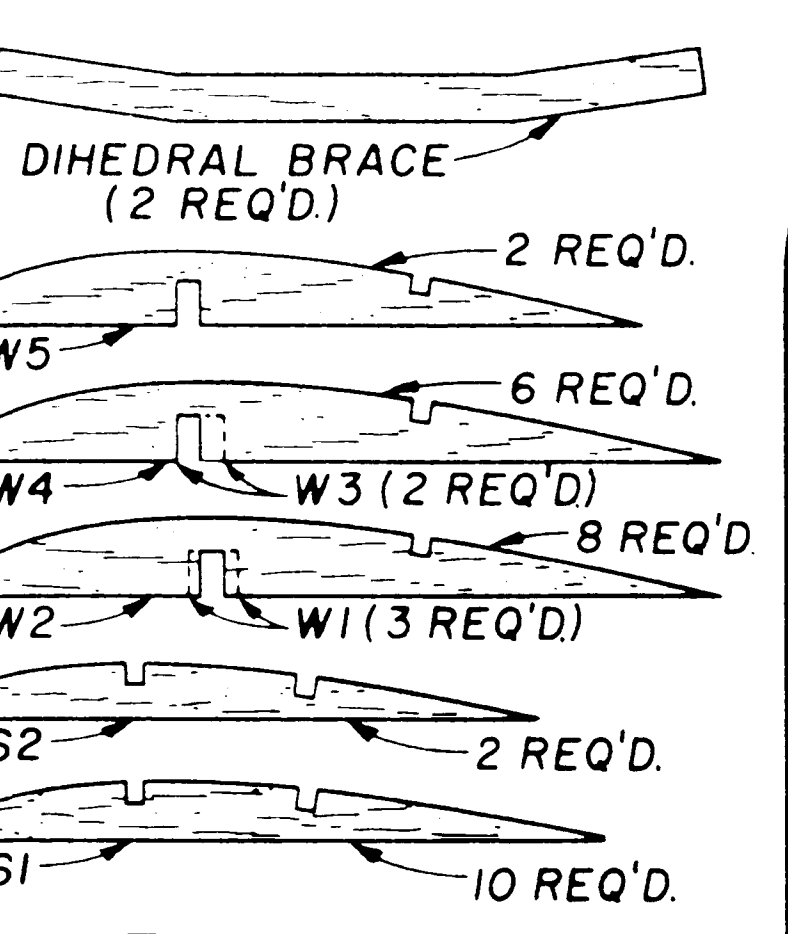
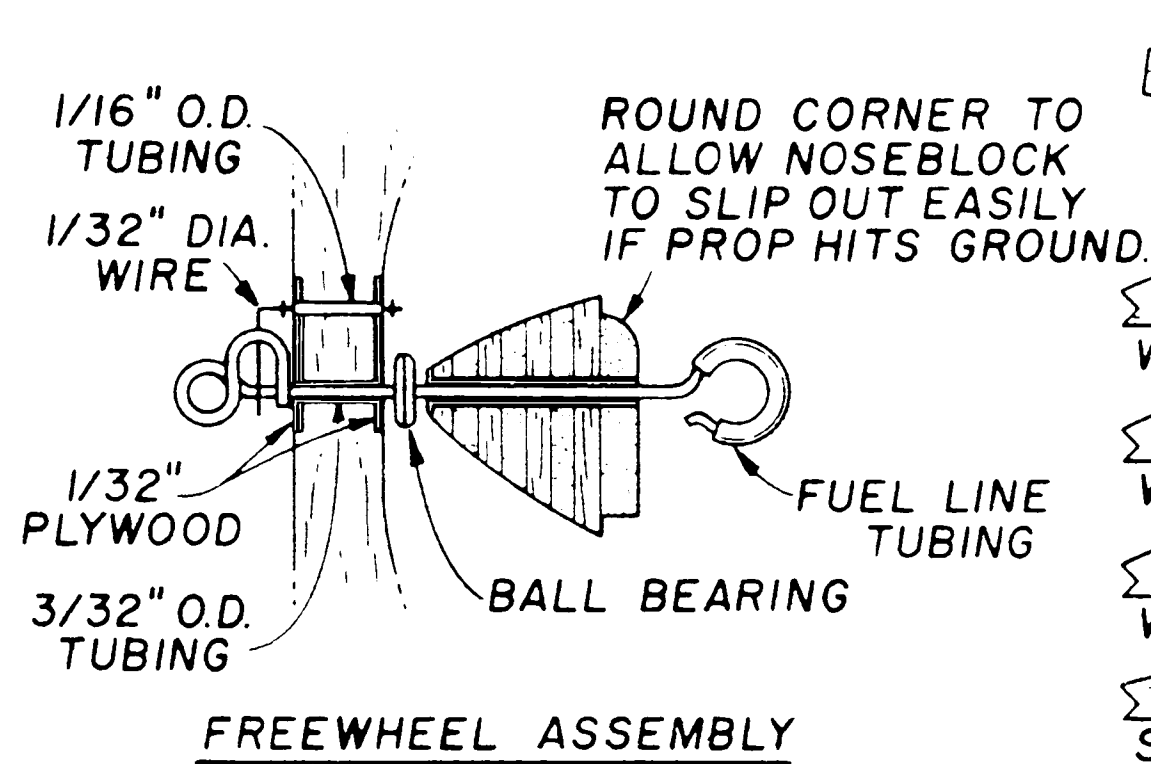
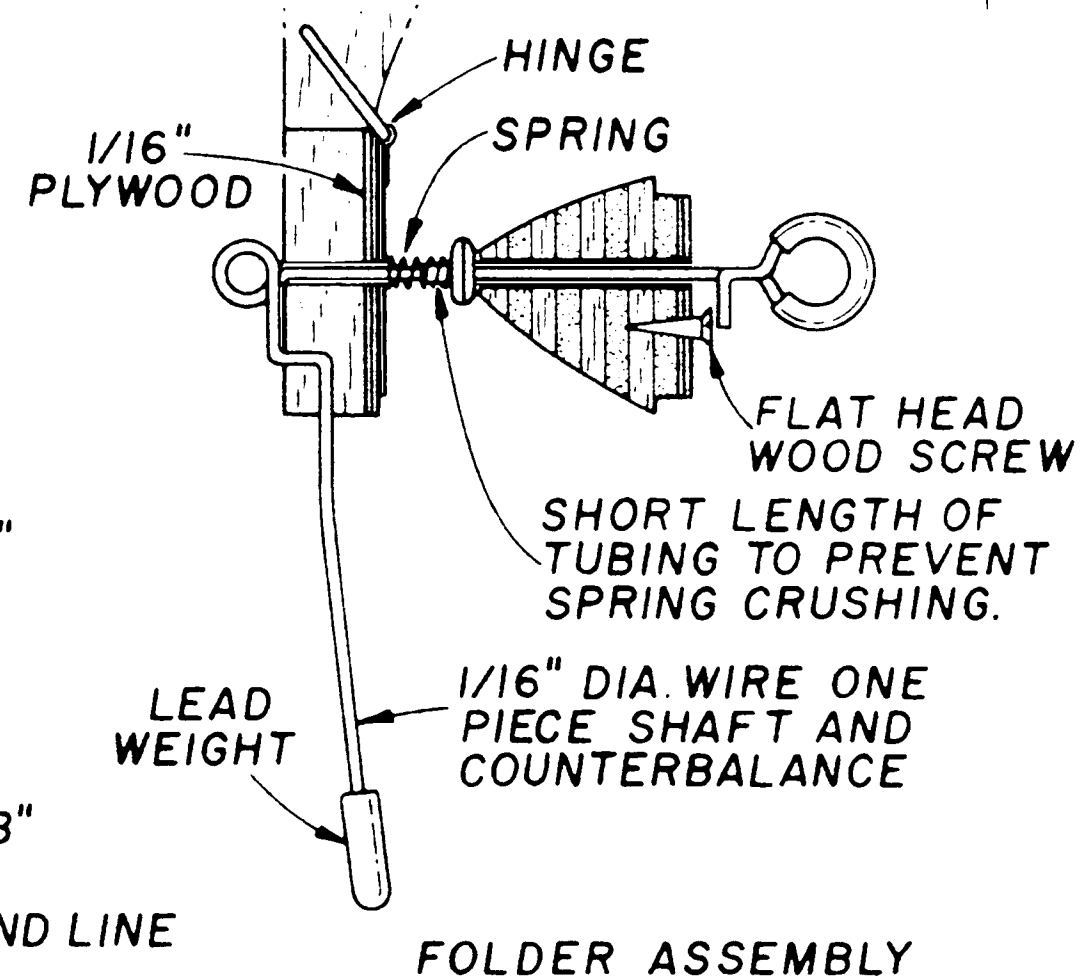
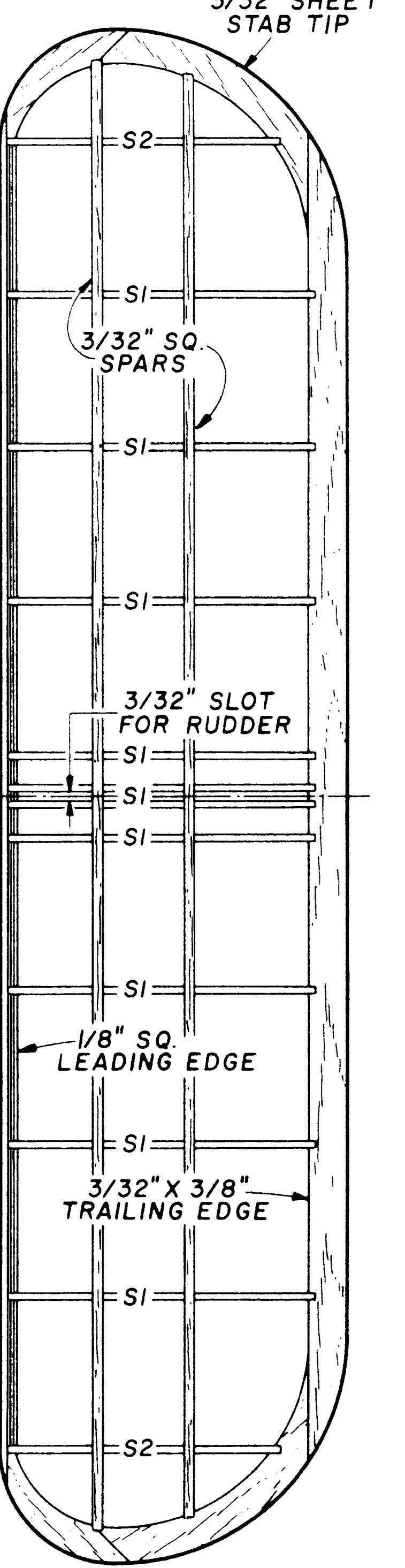
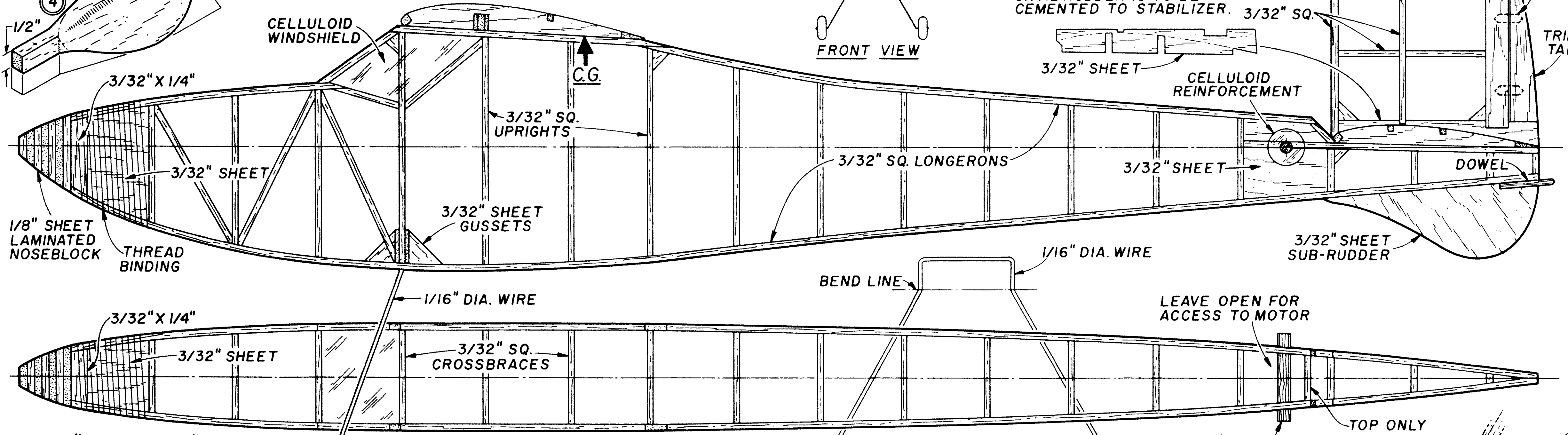


NOTE:-
FOR TWO BLADE PROP
USE 12" X 1-3/4" X 1-1/4"
BLANK. DIMENSIONS TO
BE THE SAME AS ONE
BLADE PROP EXCEPT
AS SHOWN BELOW.

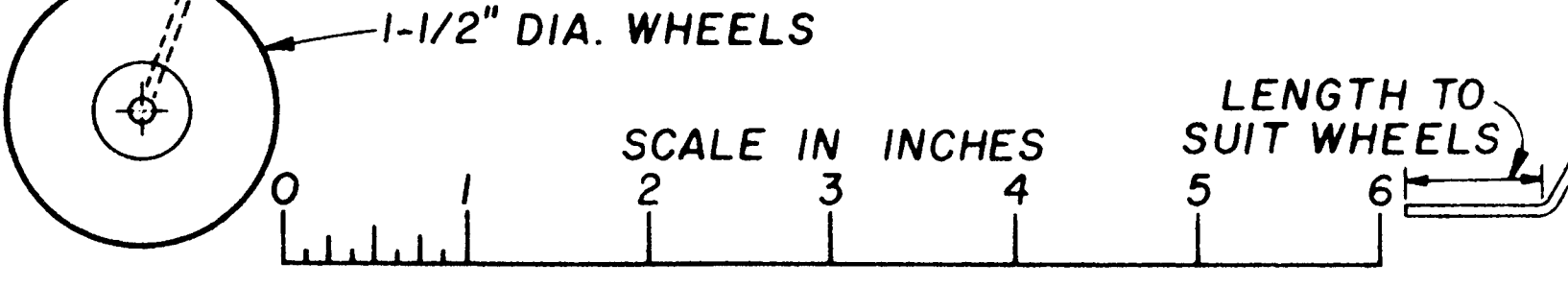


NOTE:-
ALL RIBS TO BE
SOFT 1/16" SHEET.

NOTE:-
DO NOT CUT BOTTOM NOTCHES
UNTIL RUDDER IS TO BE
CEMENTED TO STABILIZER. 3/32" SQ.



"BUSTER"
RUBBER POWERED SPORT
OR
BEGINNER'S MODEL
Designed and Drawn by
Gerald R. Zeigenfuss



NOTE:-
FORM LANDING GEAR
OVER PLAN AND BEND
FORWARD APPROX. 1-3/8"

NOTE:-
WING TIP TO BE
CONSTRUCTED SIMILAR