

W3

W4

W1 1/16 REQ'D
ALL RIBS 1/16" SHEET

DIHEDRAL BRACE 1/16" PLY

3" DIHEDRAL

1/8" SQ. LEADING EDGE

DIHEDRAL BRACE

1/16" SQ. STRINGER

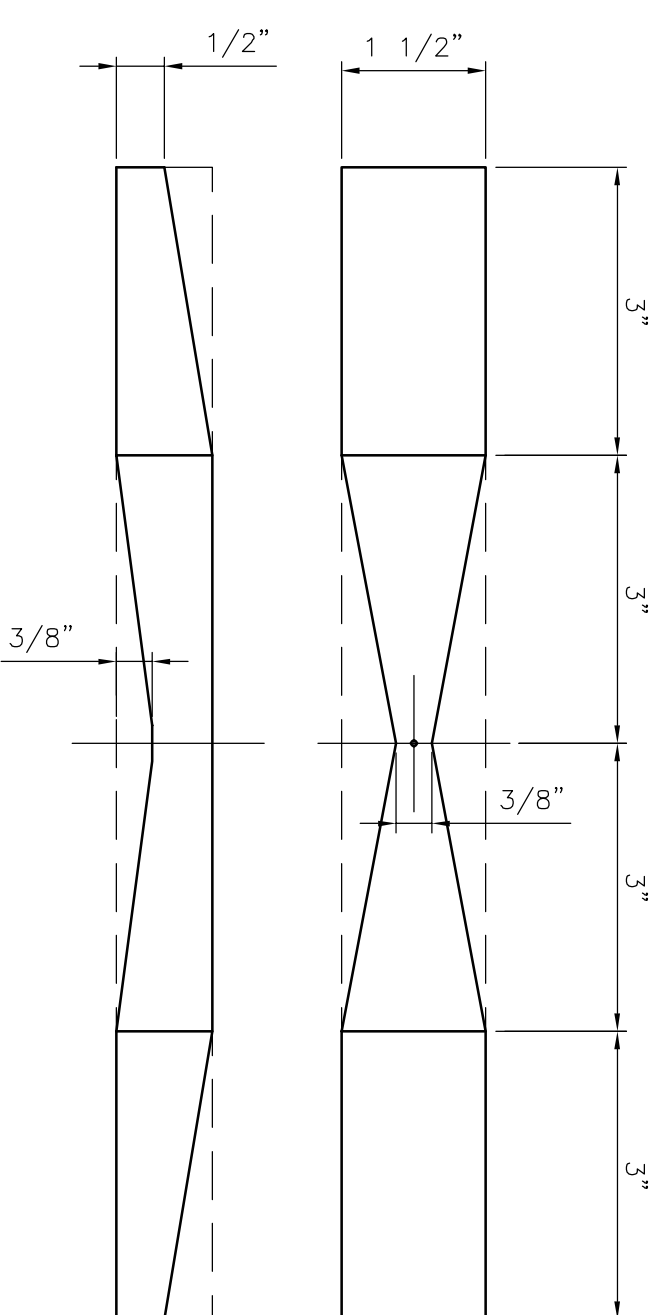
1/8" SQ. SPAR

1/8" Balsa SHEET

1/8" x 3/8" TRAILING EDGE

SI 7 REQ'D

PROPELLER LAYOUT



LANDING GEAR LAYOUT
LANDING GEAR WIRE
0.034

1/2"
BEND TO SUIT

THE HIGH CLIMBER
CAD CONVERSION BY: S. ROOT 2009