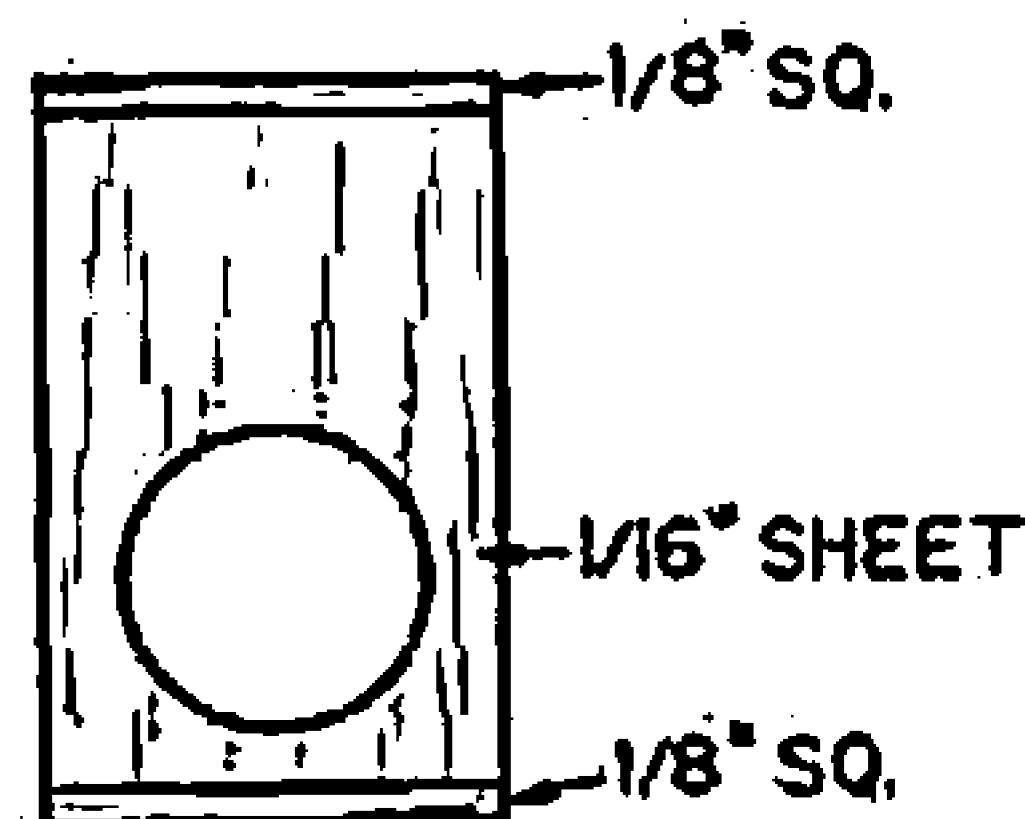
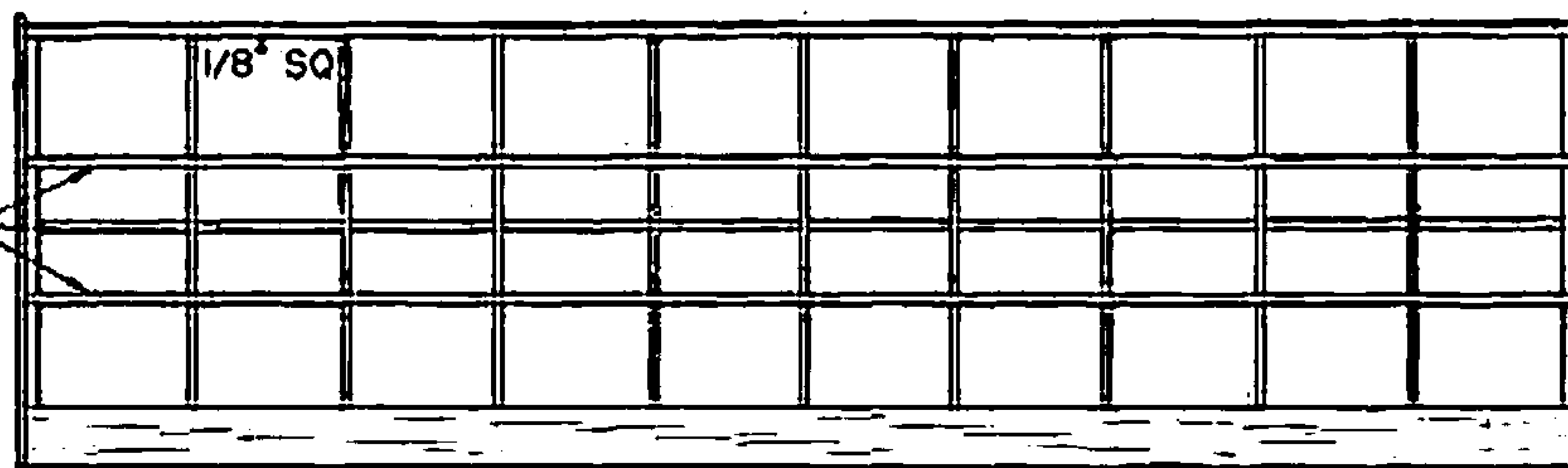


HARD Balsa
NOSE BLOCK
1/4" SHEET
GLUED TO
REAR FACE
FORMS
PLUG

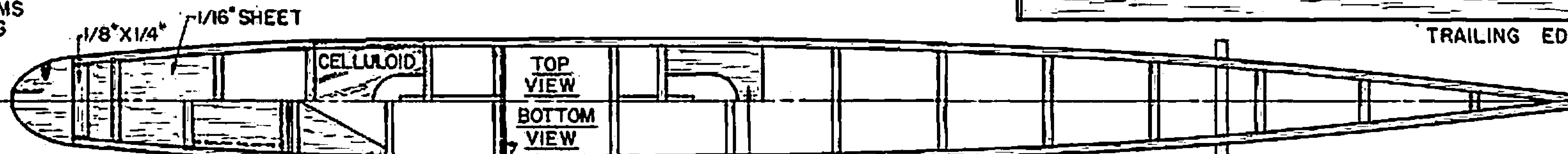


ALIGNMENT
FORMER

3/32" SQ
SPARS



TRAILING EDGE 3/32" X 1/2" (HARD)



NOTE:
BEARINGS
ARE CUT FROM
TIN CAN STOCK

1/32" WIRE
ENGAGES
LOOP

BEND & SINK POINTS
INTO NOSE BLOCK

NOSE BLOCK
BEARING 1/8" SHEET

ALIGNMENT FORMER

1/8" DOWEL

1/16" SHEET



3/16" DOWEL

RUDDERS
1/16" SHEET

TRIM TAB
ON THIS
SIDE ONLY

BEND
CUT

1/8" SHEET

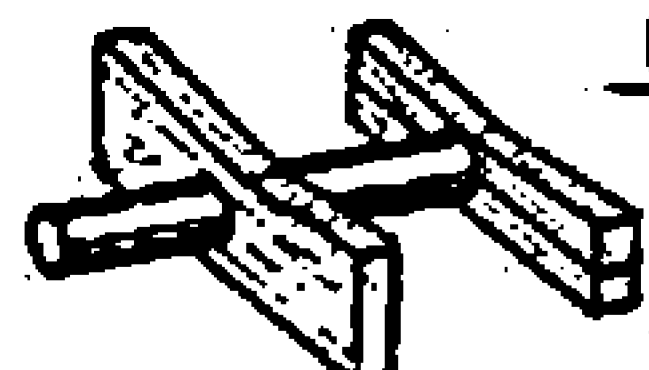
WASHER
NOTCH

1/16" WIRE HOOK
- 2 WASHERS

RUBBER BAND

WING MOUNT
DETAIL

1/16" DEEP "V" (FITS DIHEDRAL ANGLE)



FRONT DOWEL



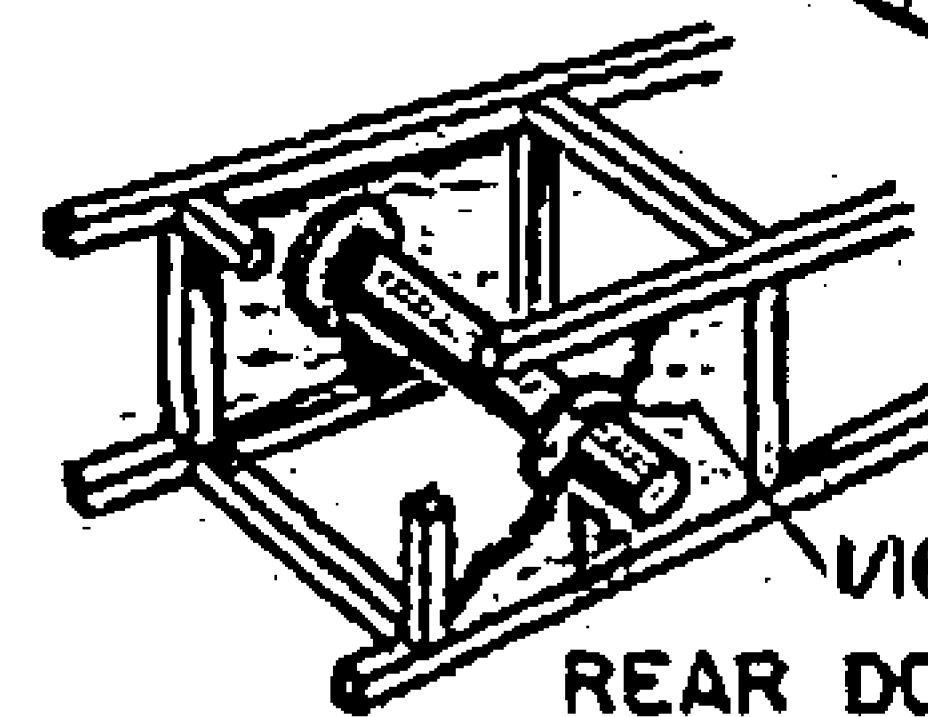
REAR DOWEL



WING RIB
(1/16" SHEET - 23 REQ)



STABILIZER RIB
(1/16" SHEET - 9 REQ)
(1/8" SHEET - 2 REQ)



REAR DOWEL
DETAIL

1/16" PLYWOOD

NOTE:
ALL FUSELAGE
LONGERONS AND
CROSS BRACES
1/8" SQ EXCEPT
WHERE NOTED

LANDING
GEAR IS
SANDWICHED
BETWEEN 2
1/8" SHEETS
WITH A 1/16"
SHEET FILLER

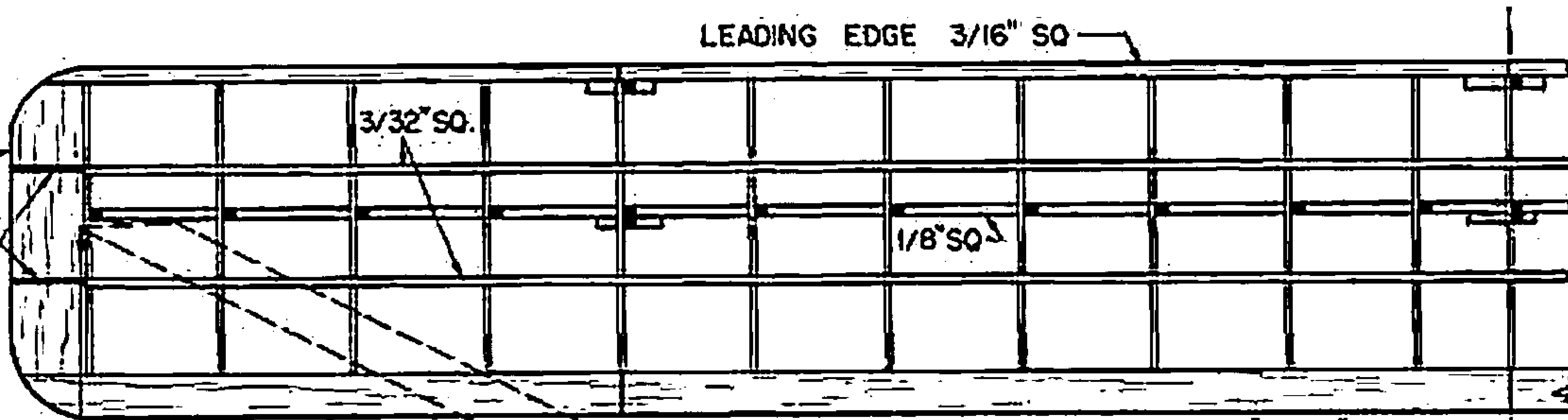
1-1/2" DIA.
HARD WOOD
WHEELS

1/16" WIRE
LANDING GEAR
SHOWN TRUE
LENGTH

1/16" SHEET
TIP

1/32" SHEET
GUSSETS

LEADING EDGE 3/16" SQ



TRAILING EDGE 1/8" X 1/2" (HARD)

DIHEDRAL ANGLE

THE KITTY HAWK: CLOUD HOUND