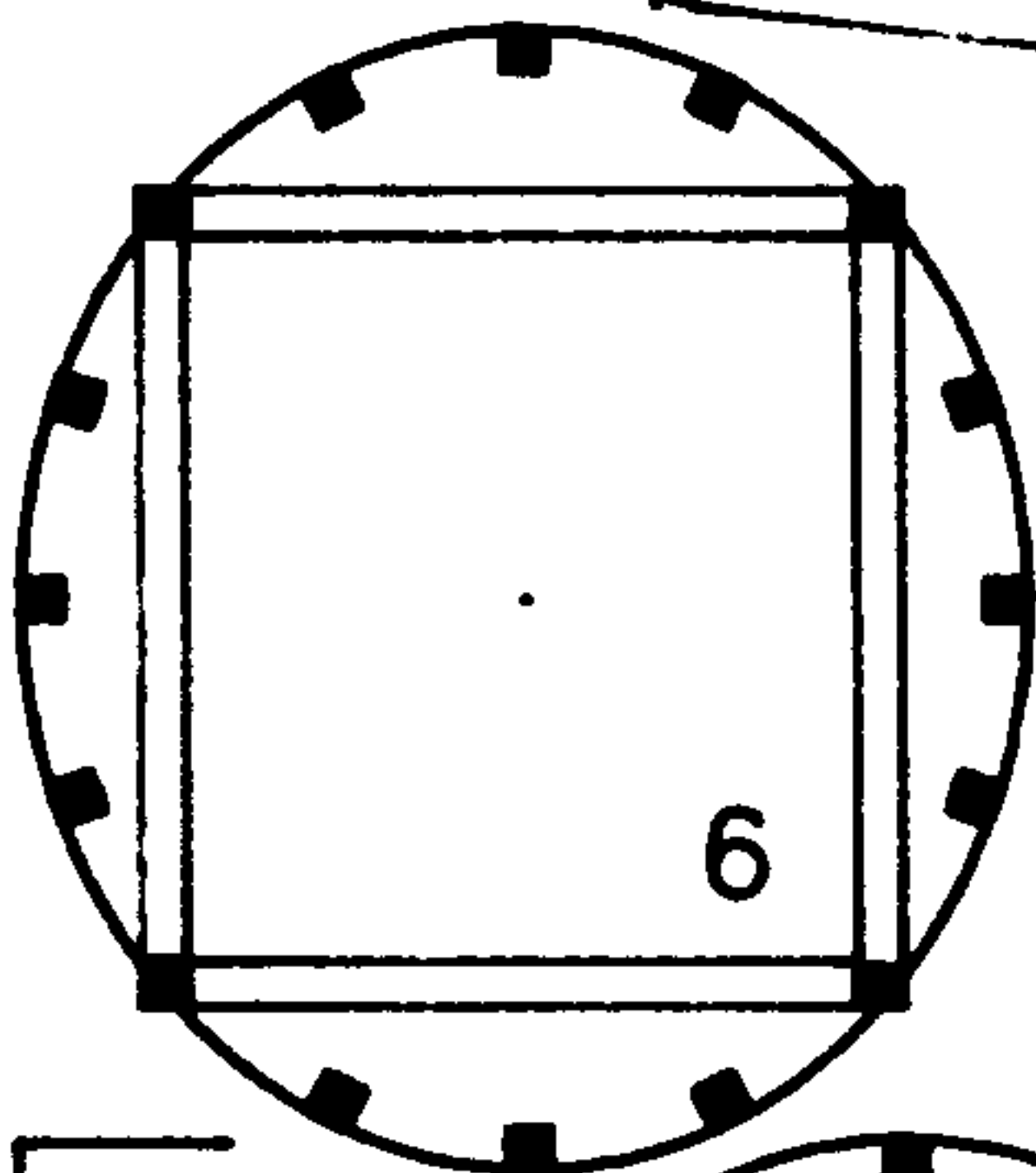
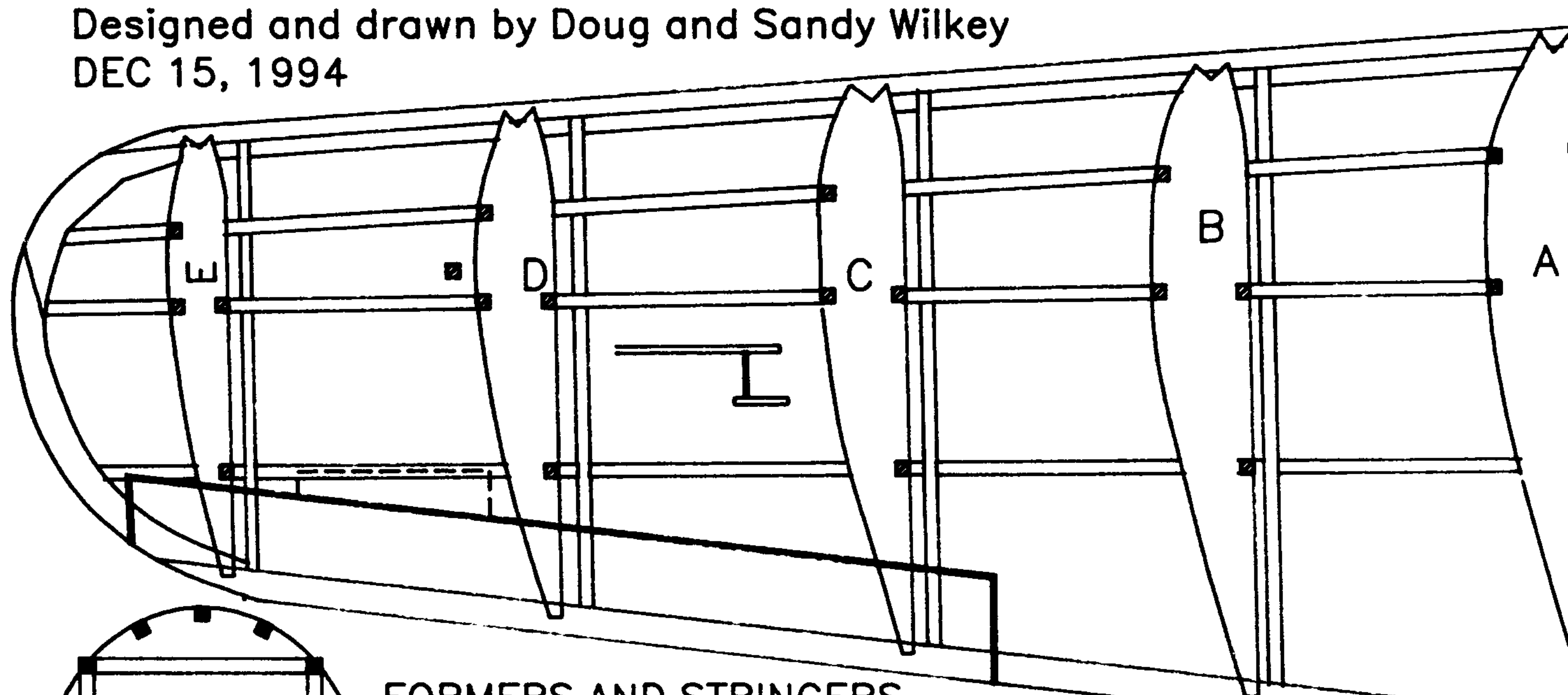
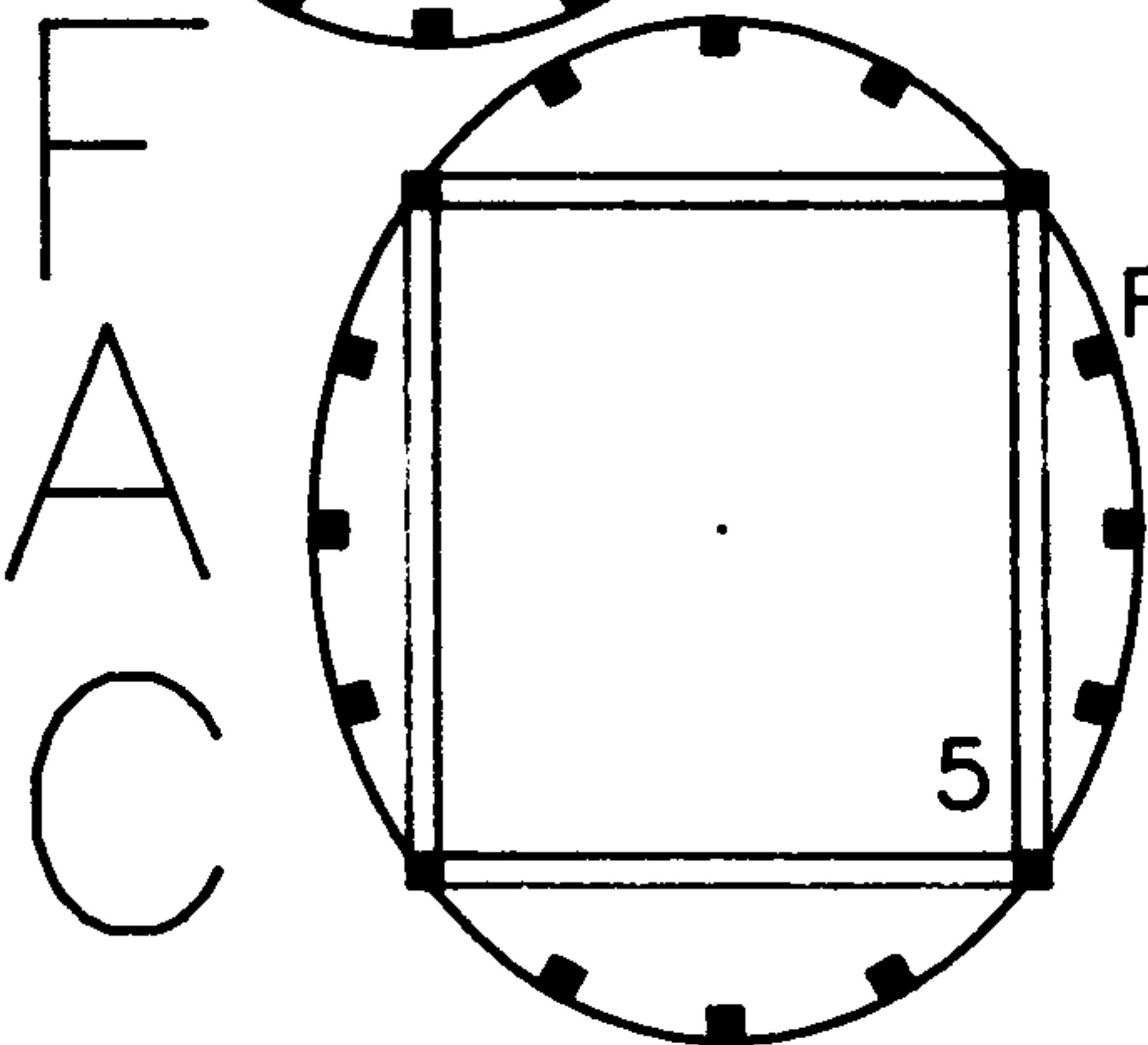


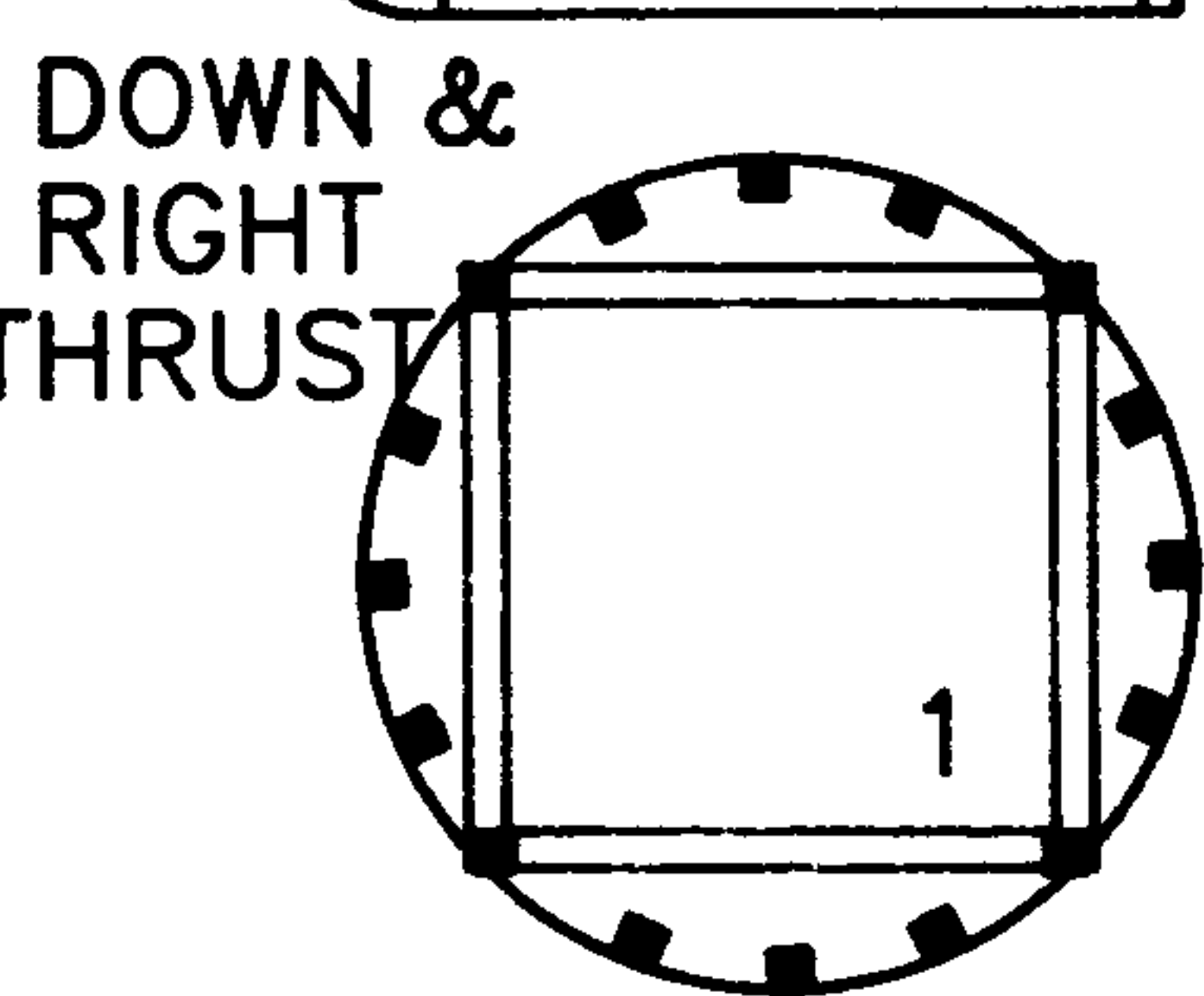
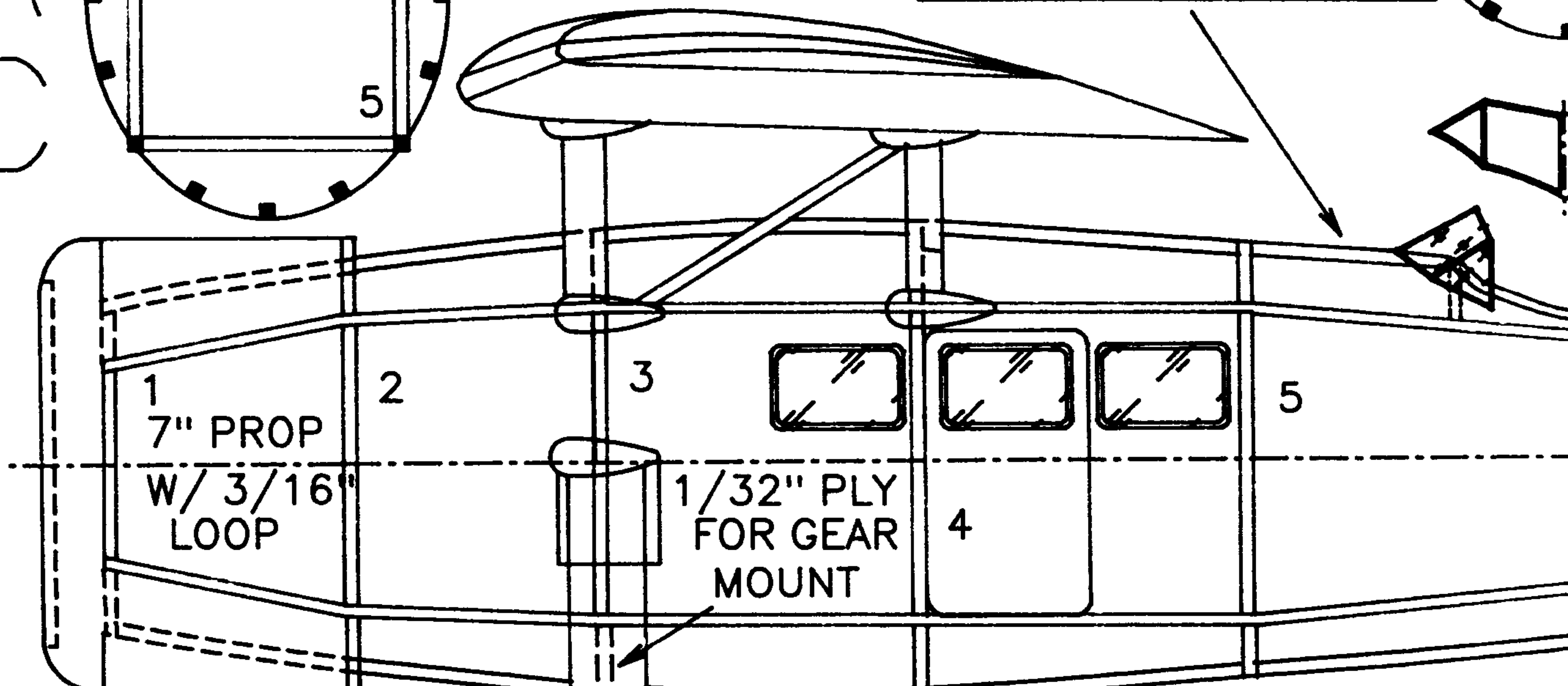
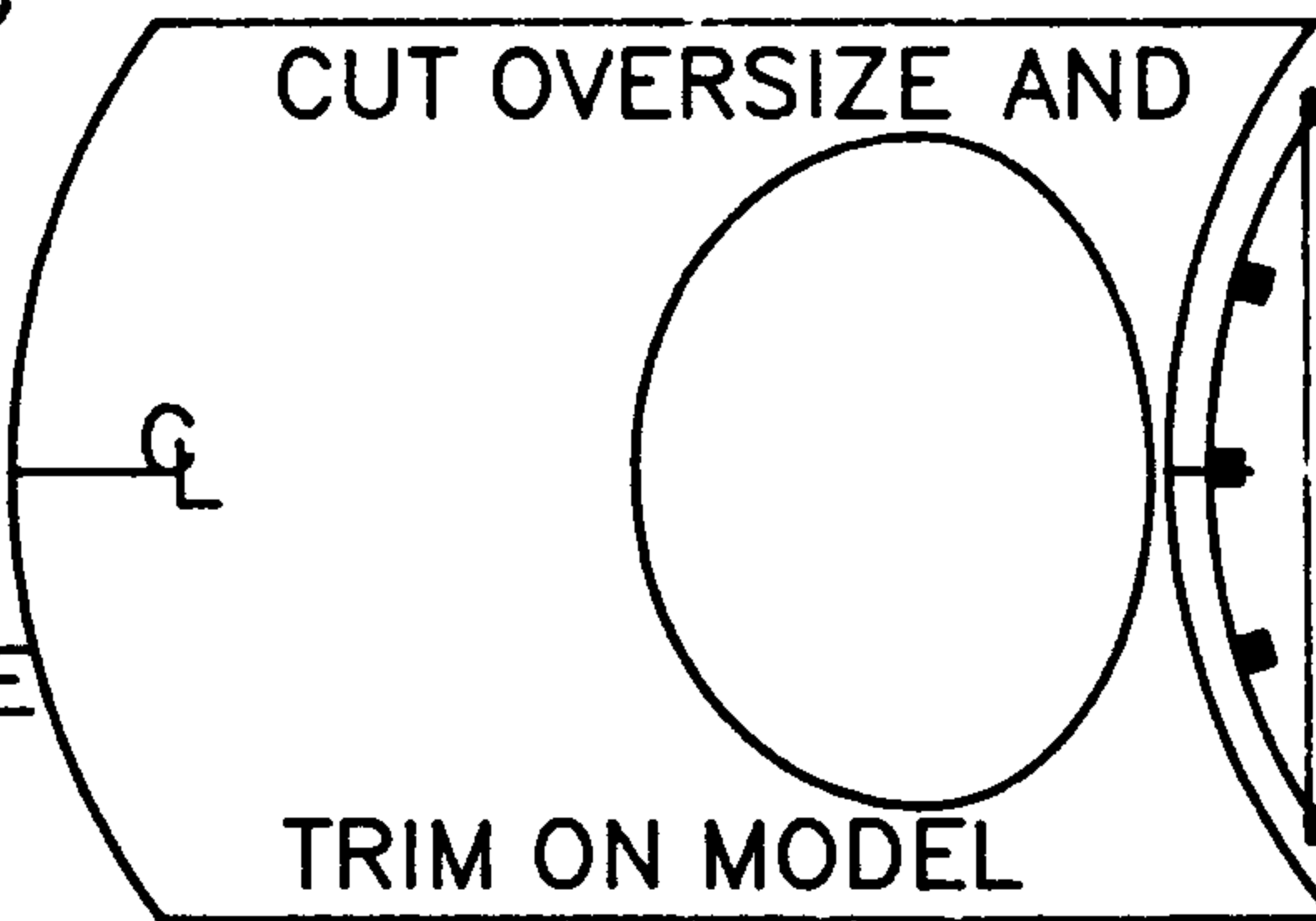
Designed and drawn by Doug and Sandy Wilkey
DEC 15, 1994



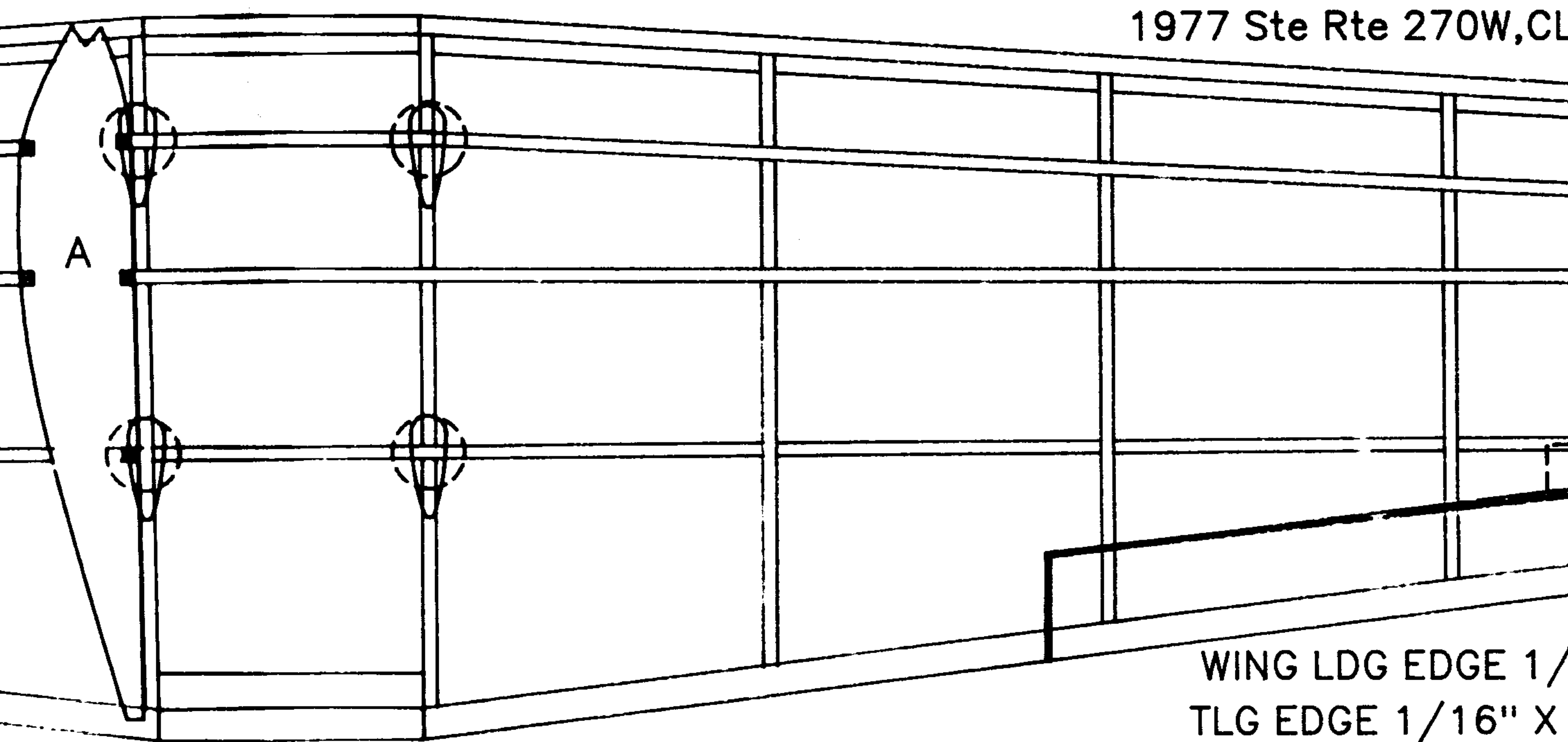
FORMERS AND STRINGERS
ARE 1/16" BOX FRAME
LONGERONS ARE SANDED
TO FORM STRINGERS
AFTER FORMERS ARE
ADDED TO BASIC FRAME



SEE REFERENCE
FOR COLOR SCHEME

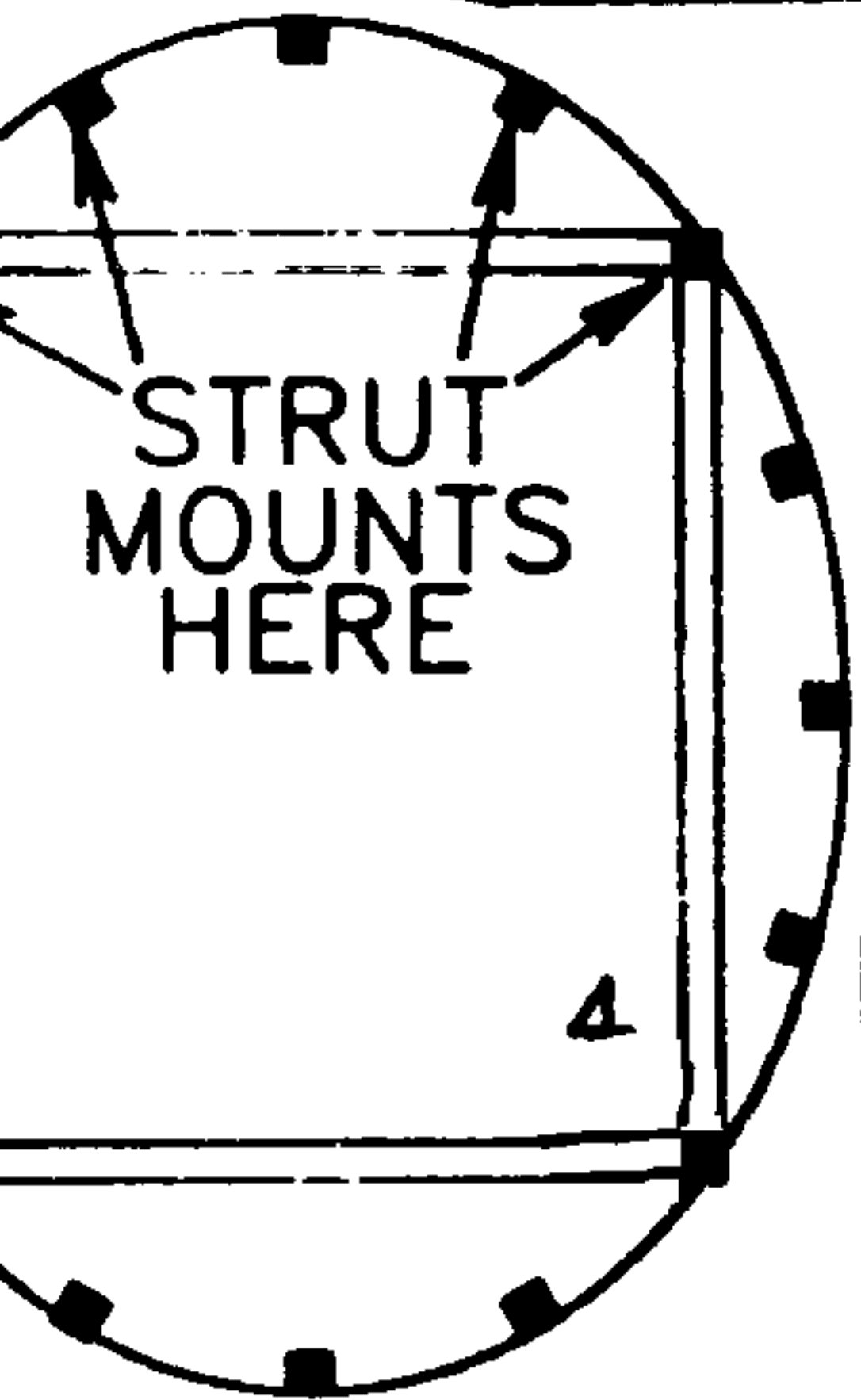


Lockheed
Air Express
DESIGN BASED ON
RAY CHEVEDDEN'S
COMET KIT OF A VEGA
DEC. 15. 1934

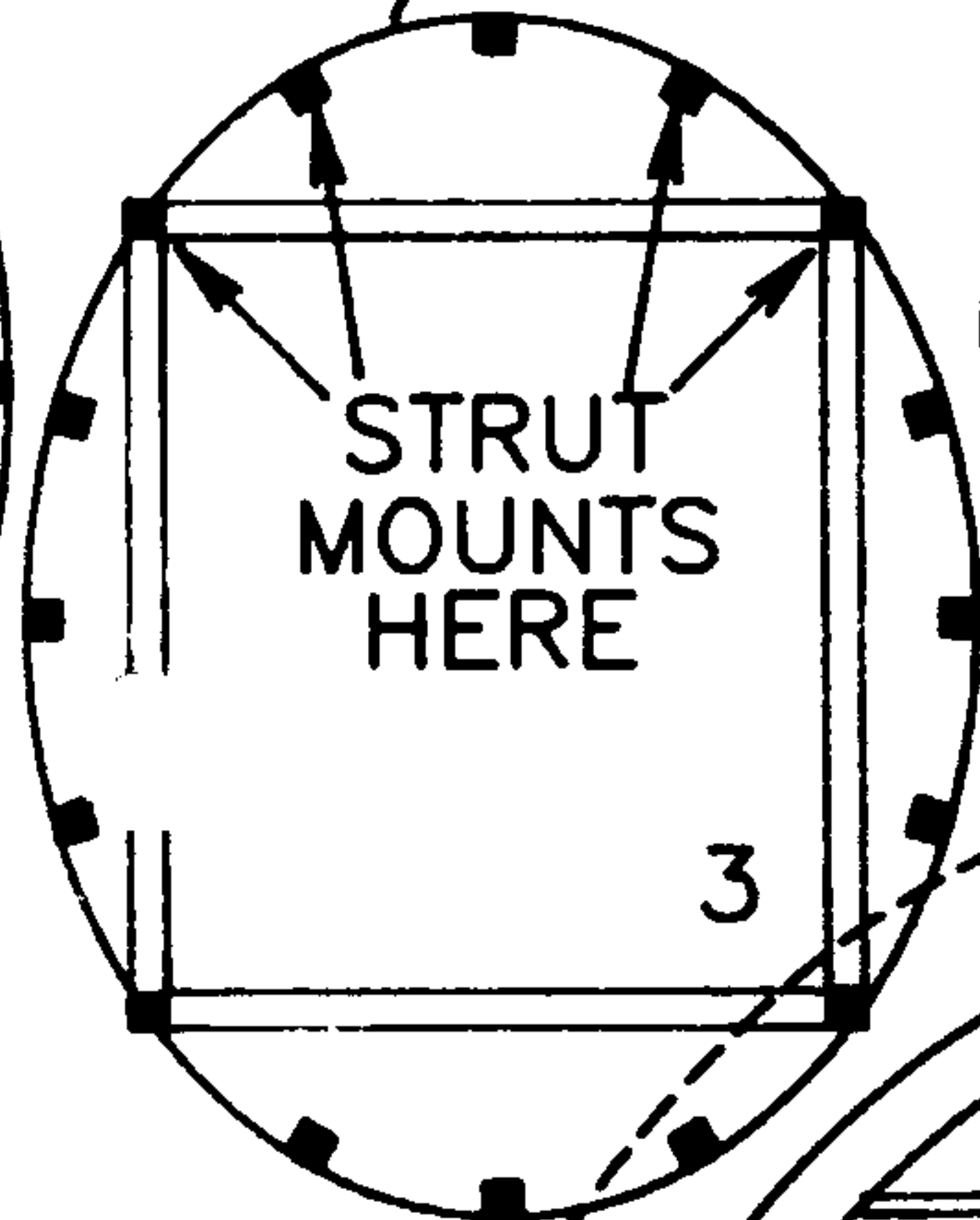


WING LDG EDGE 1/
TLG EDGE 1/16" X

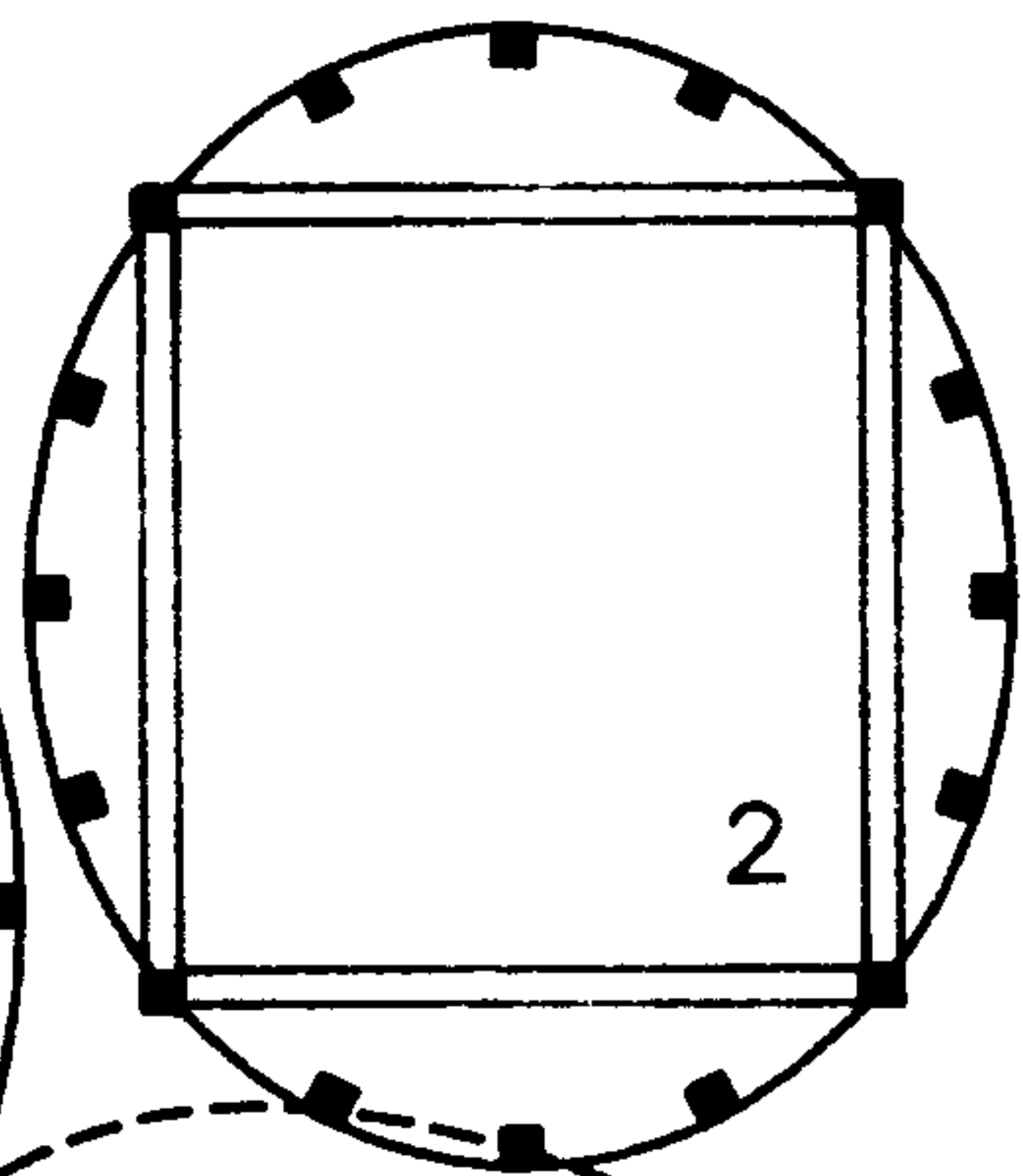
SPARS 1/16" SQ.
RIBS 1/16" SHT.



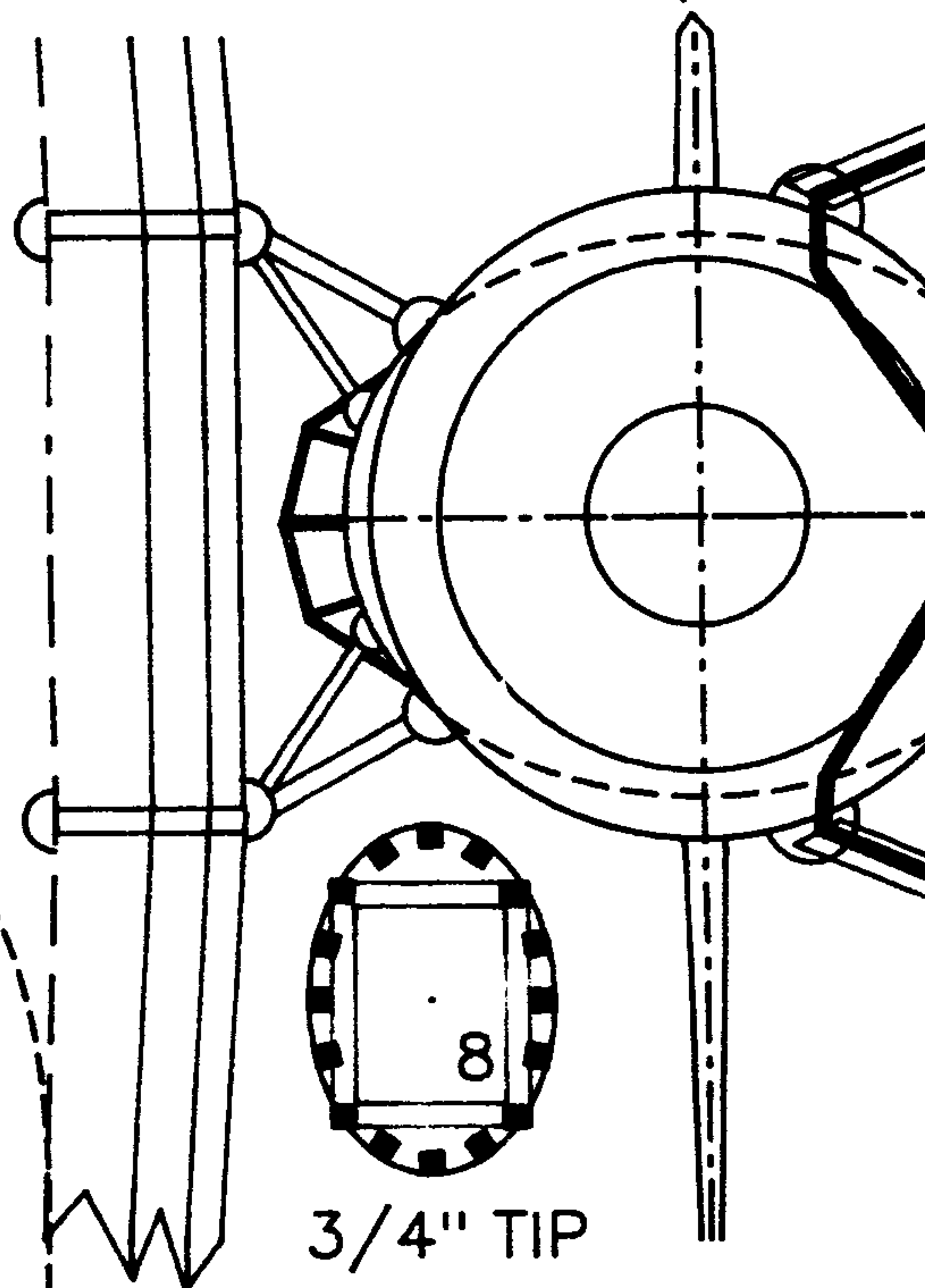
STRUT
MOUNTS
HERE



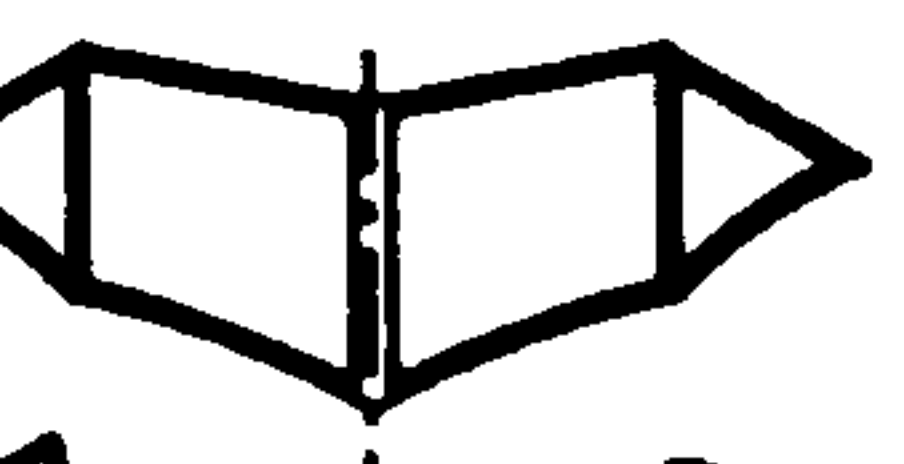
STRUT
MOUNTS
HERE



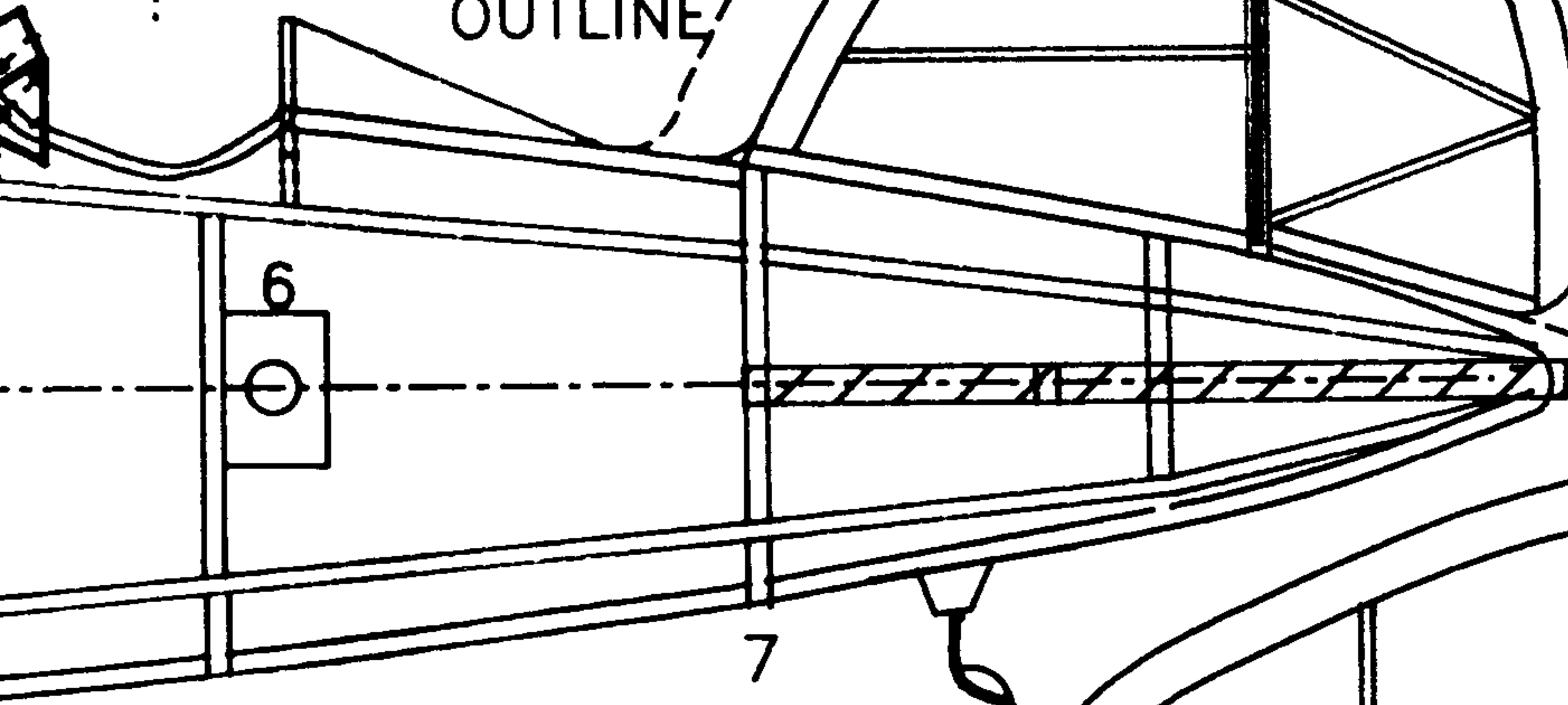
2



3/4" TIP
DIHEDRAL

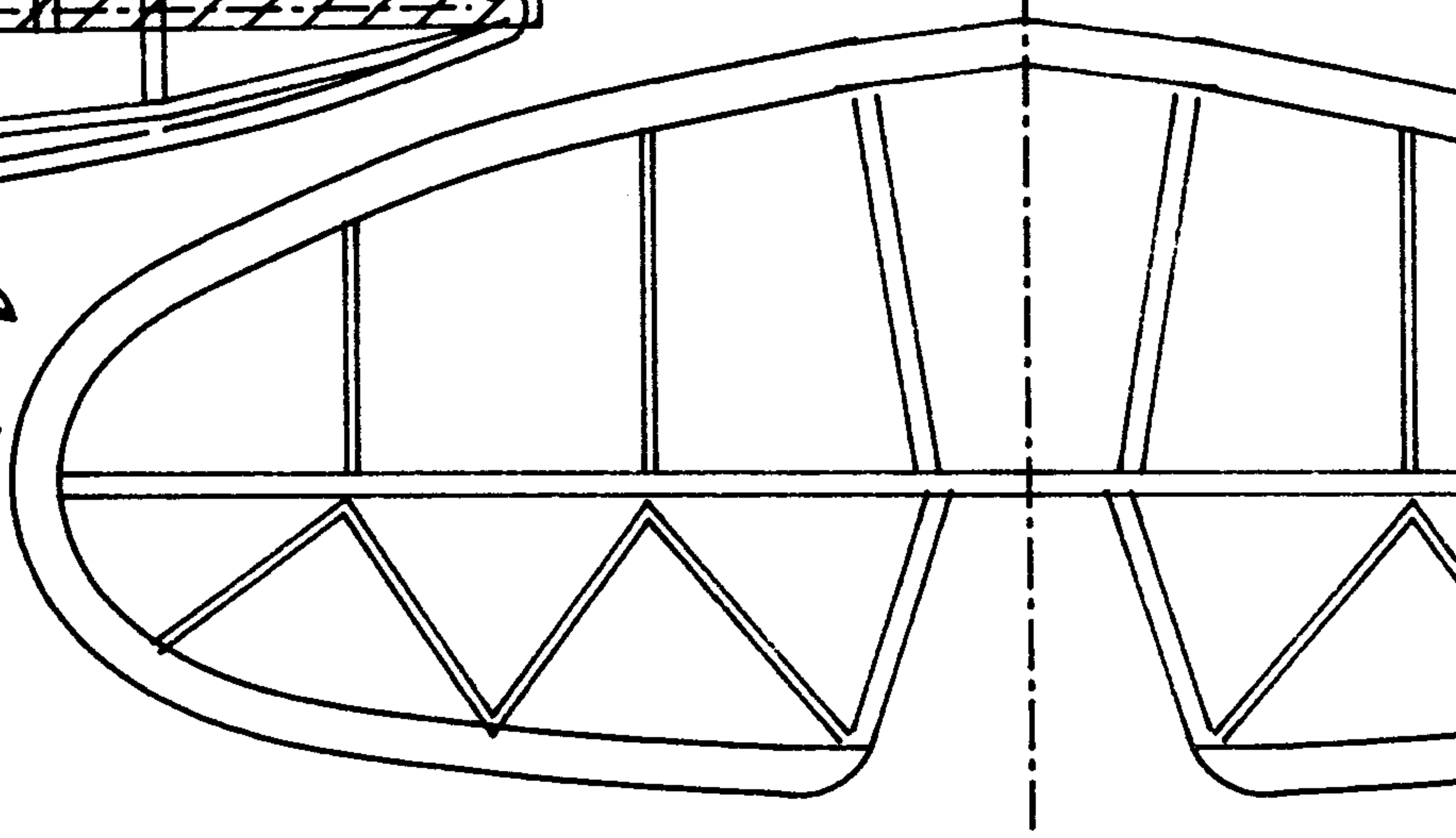


FLYING
OUTLINE



6

7



REF.
 Revolution In The Sky
 by Allen
 Ken Wilson
 r Express Dwg.
 M.A.N.
 Air Age Publishing

d
 SS
 N
 S
 GA

